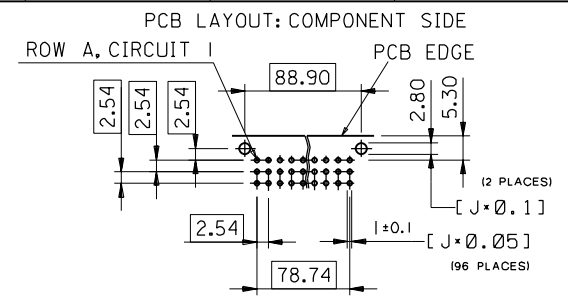
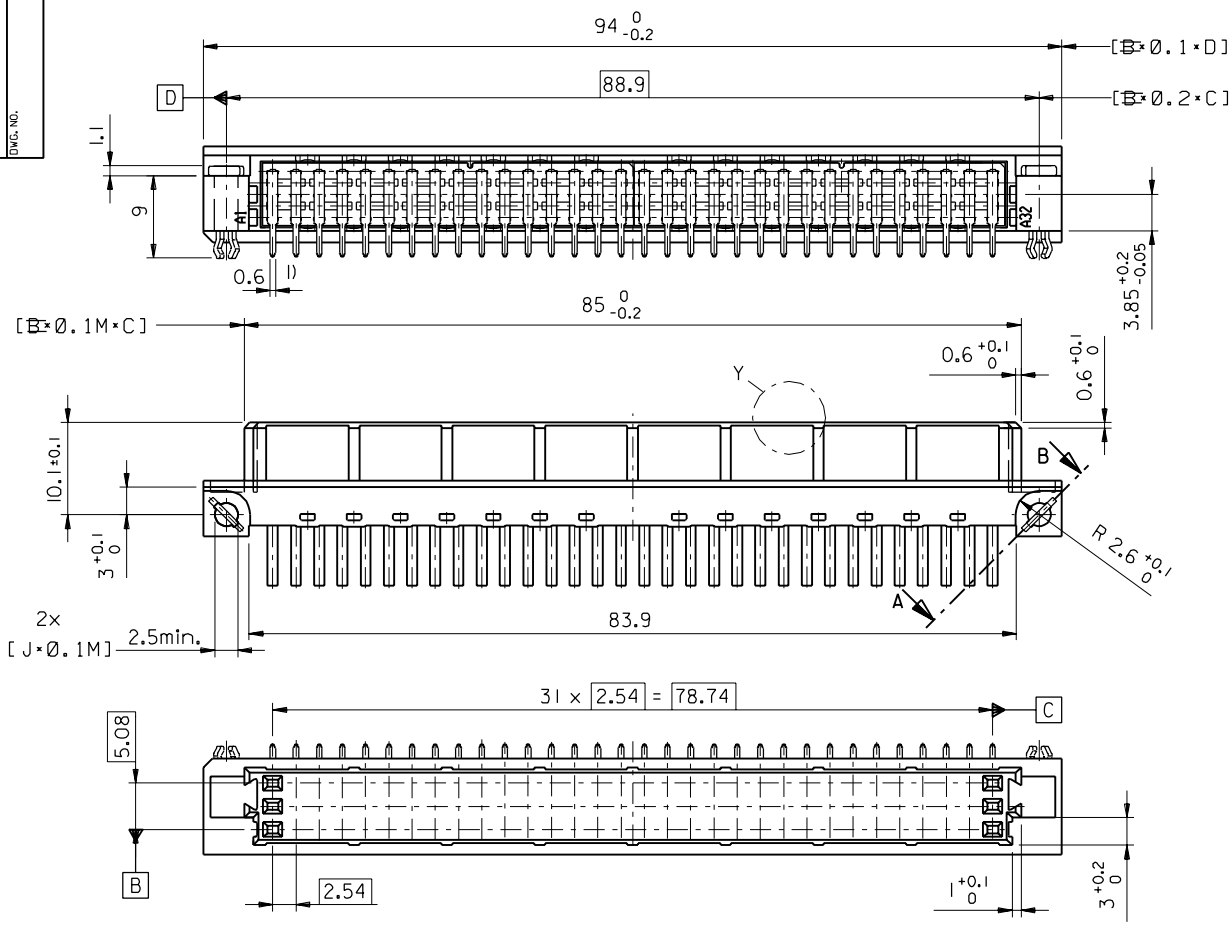
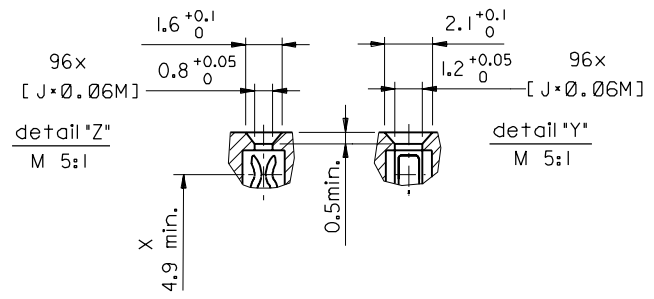
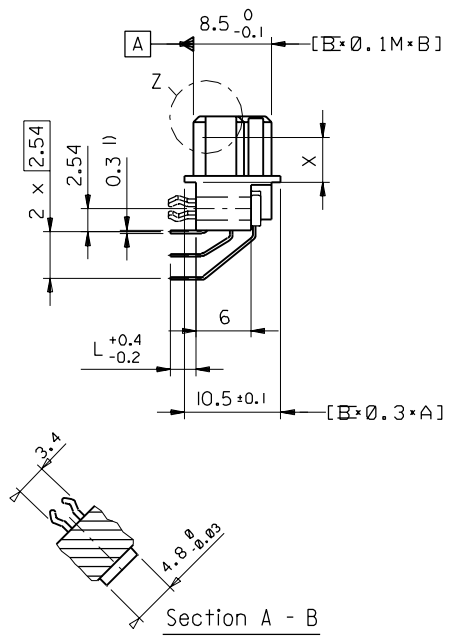


PART NO.
DWG. NO.



1) tails to fit in PC-board layout



FIRST ANGLE PROJECTION

DRWG BY	KN
CHK'D BY	Ca
APP'D BY	JB
SCALE	2:1

UNLESS OTHERWISE SPECIFIED TOLERANCES: ANGULAR ±2°
INCH METRIC

3 PLACE ±	±
2 PLACE ±	±
1 PLACE ±	±

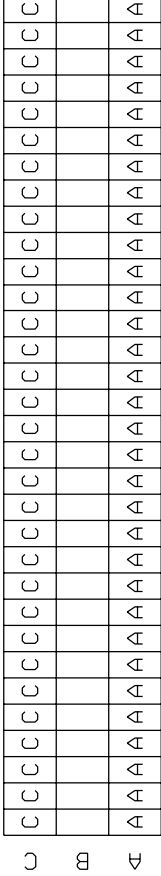
DRAFT WHERE APPLICABLE MUST REMAIN WITHIN DIMENSIONS

DESIGN DIMENSION	<input checked="" type="checkbox"/> MM
	<input type="checkbox"/> IN.
EQUIVALENT DIMENSION	<input type="checkbox"/> MM
	<input type="checkbox"/> IN.

IF TWO DIMENSIONS ARE SHOWN THE UPPER IS THE DESIGN DIMENSION, LOWER IS SECONDARY

2	B1
SH.	REV.
CAD/CAM PROJECT NAME 85052000 611	
THIS DRAWING CONTAINS INFORMATION THAT IS PROPRIETARY TO MOLEX INC. & SHOULD NOT BE USED WITHOUT WRITTEN PERMISSION	
TITLE 96 pos. female connector DIN 41612 style R + clip Dimensions	
MOLEX MOLEX EUROPE	
SHEET NO. DATE 1 OF 2 96/04/25	
PART NO.	DWG NO. SDA-85052-0001
SIZE	B

VIEW ON MATING SIDE



⊔ Ⓞ ⊥ ∞ ∩ ∪ ∞ ∩ ∪ ∞ ∩ ∪ ∞ ∩ ∪ ∞ ∩ ∪ ∞ ∩ ∪ ∞ ∩ ∪ ∞ ∩ ∪ ∞ ∩ ∪ ∞ ∩ ∪ ∞ ∩ ∪ ∞ ∩ ∪ ∞ ∩

A = 32 CONTACTS L=3,4

C = 32 CONTACTS L=3,4

S = 64 TOTAL NUMBER OF CONTACTS

Marking	Standard
Performance level	G2/0 = Contact area level2 / Termination tin
Flux proof	no
Fixing clip	no
Dimensions	SDA-85052-0001 sht.1
Technical Data	PS-85052-0001

C	G2/0
A	G2/0
Contact symbol	Perform. level
Contact position number	

first release see ECN No. 2154	REVISIONS	FOR PREVIOUS REVISIONS SEE MRI LIST
▷	LTR	

UNLESS OTHERWISE SPECIFIED TOLERANCES: ANGULAR ± 2°	DRWG BY	SIGN
INCH	Cc	
METRIC	CHK'D BY	SIGN
3 PLACE ± • ±	KN	
2 PLACE ± • ±	APPD BY	SIGN
1 PLACE ± • ±		
DRAFT WHERE APPLICABLE MUST REMAIN WITHIN DIMENSIONS	SCALE	
DESIGN DIMENSION <input type="checkbox"/> MM <input type="checkbox"/> IN.		
EQUIVALENT DIMENSION <input type="checkbox"/> MM <input type="checkbox"/> IN.		
IF TWO DIMENSIONS ARE SHOWN, THE UPPER IS THE DESIGN DIMENSION, LOWER IS SECONDARY		

REVISE ONLY ON CAD SYSTEM		SH. REV.
CAD/CAM PROJECT NAME s8505201 s31		THIS DRAWING CONTAINS PROPRIETARY TO MOLEX INC. & SHOULD NOT BE USED WITHOUT WRITTEN PERMISSION
TITLE 96 pos. female connector acc. DIN 41612 style R contacts arrangement		
PART NO. 85052-0139		SHEET NO. DATE 1 OF 1 96/06/14
DWG NO. SDA-85052-0139		SIZE A