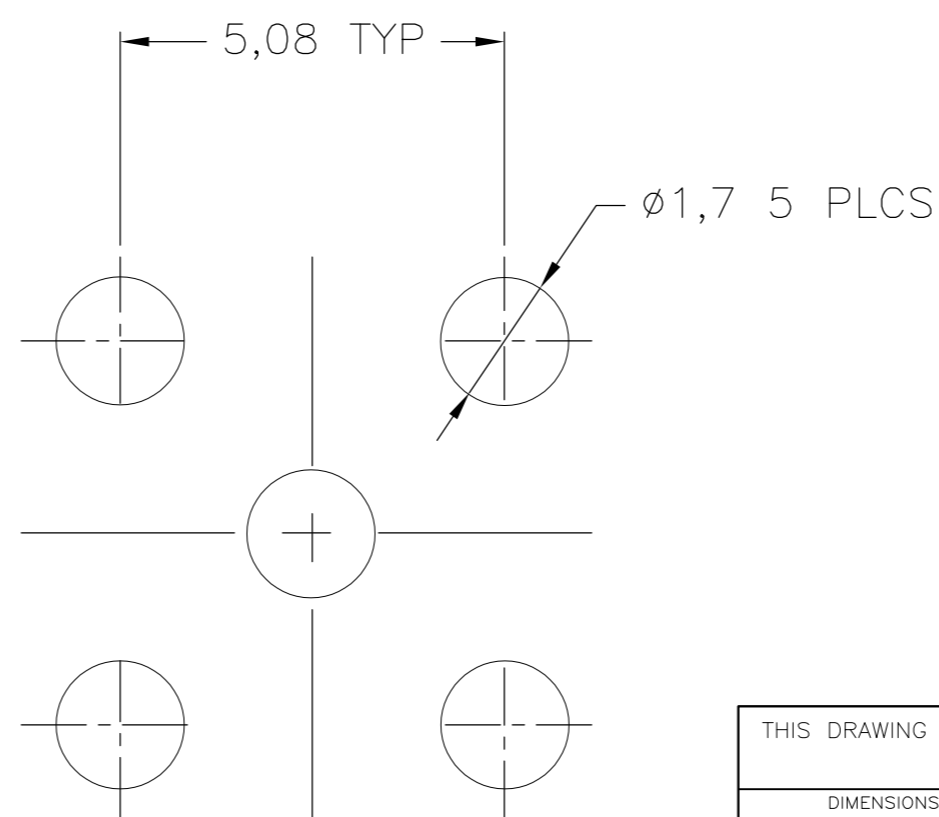
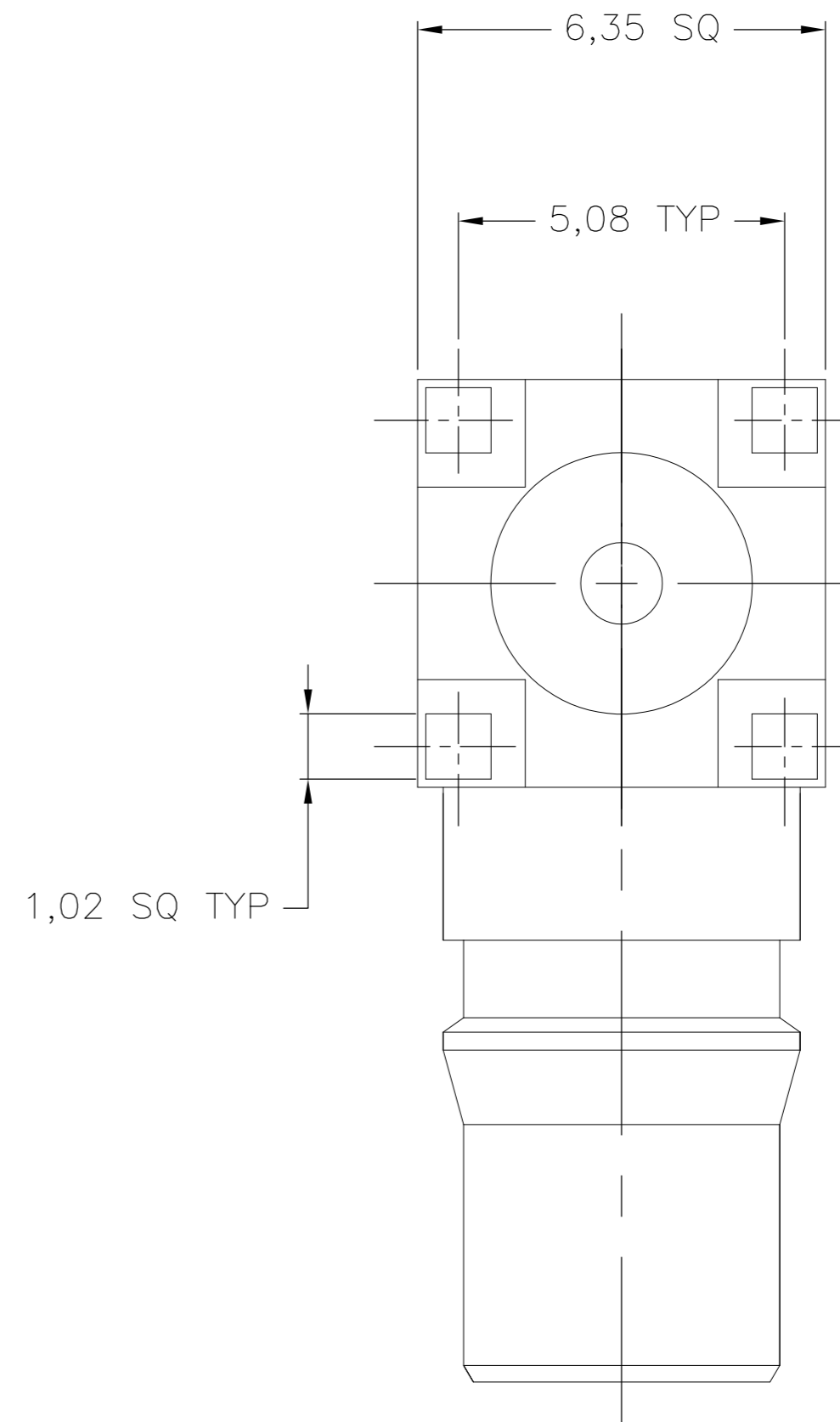
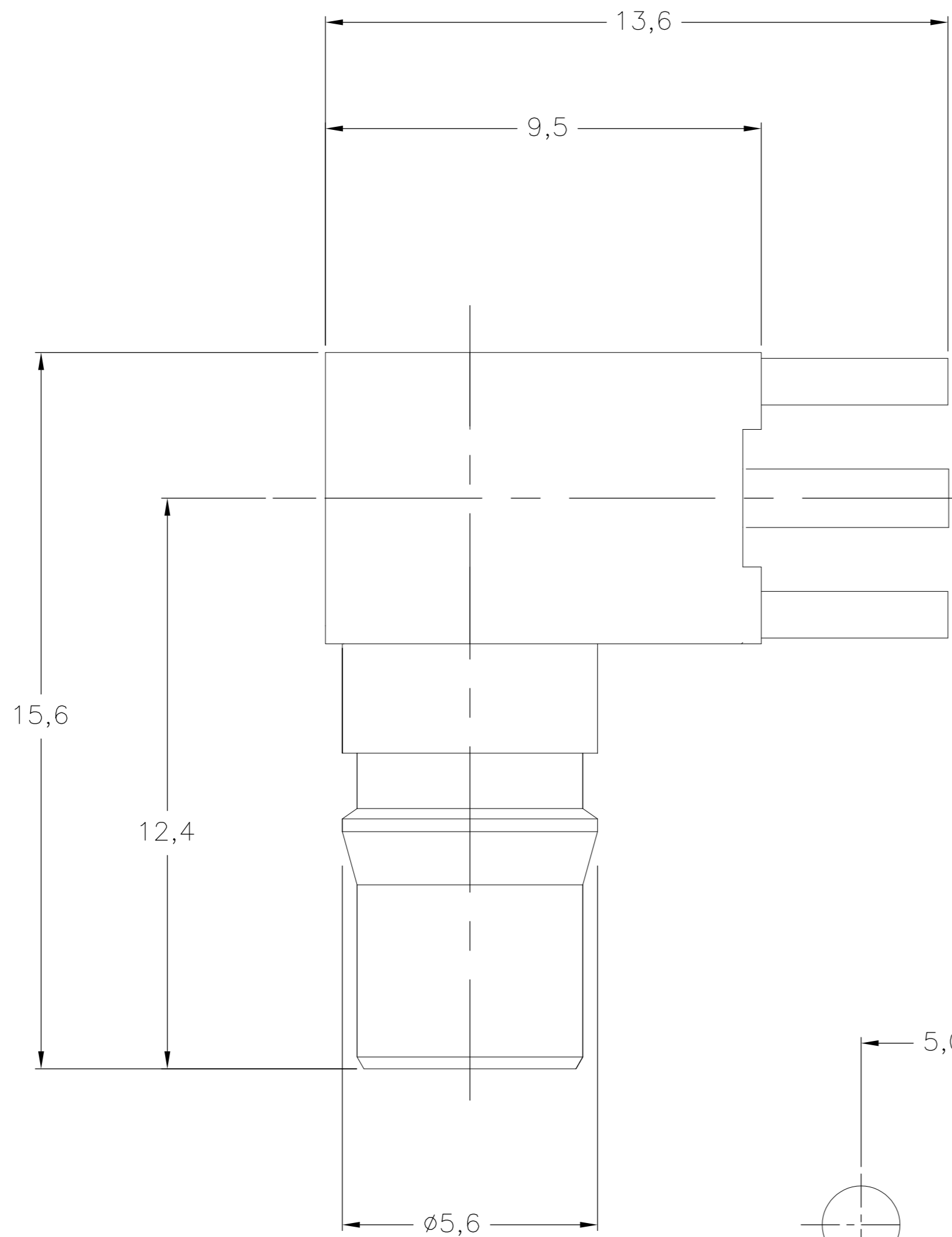


THIS DRAWING IS UNPUBLISHED. RELEASED FOR PUBLICATION
 © COPYRIGHT BY TYCO ELECTRONICS CORPORATION. ALL INTERNATIONAL RIGHTS RESERVED.

LOC	DIST	REVISIONS			
P	LTR	DESCRIPTION	DATE	DWN	APVD
HC	00	B	REV PER ECO 09-011512	5/27/2009	DW JO



RECOMMENDED MOUNTING HOLE

1408337-1
PART NO.

CONTACT	BERYLLIUM COPPER	GOLD
HOUSING	BRASS	GOLD
DIELECTRIC	PTFE	N/A
COMPONENT	MATERIAL	FINISH

THIS DRAWING IS A CONTROLLED DOCUMENT.		DWN	16NOV2001	Tyco Electronics Corporation Harrisburg, PA 17105-3608	
DIMENSIONS: mm		CHK	-	NAME	
TOLERANCES UNLESS OTHERWISE SPECIFIED:		APVD	-	QMA RIGHT ANGLE PWB JACK	
0 PLC ± -		PRODUCT SPEC	108-2087	SIZE	A2
1 PLC ± 0,2		APPLICATION SPEC	-	CAGE CODE	00779
2 PLC ± 0,13		WEIGHT	-	DRAWING NO	C=1408337
3 PLC ± -		CUSTOMER DRAWING	-	RESTRICTED TO	-
4 PLC ± -		SCALE	10:1	SHEET	1 of 1
ANGLES ± 1		REV	B		