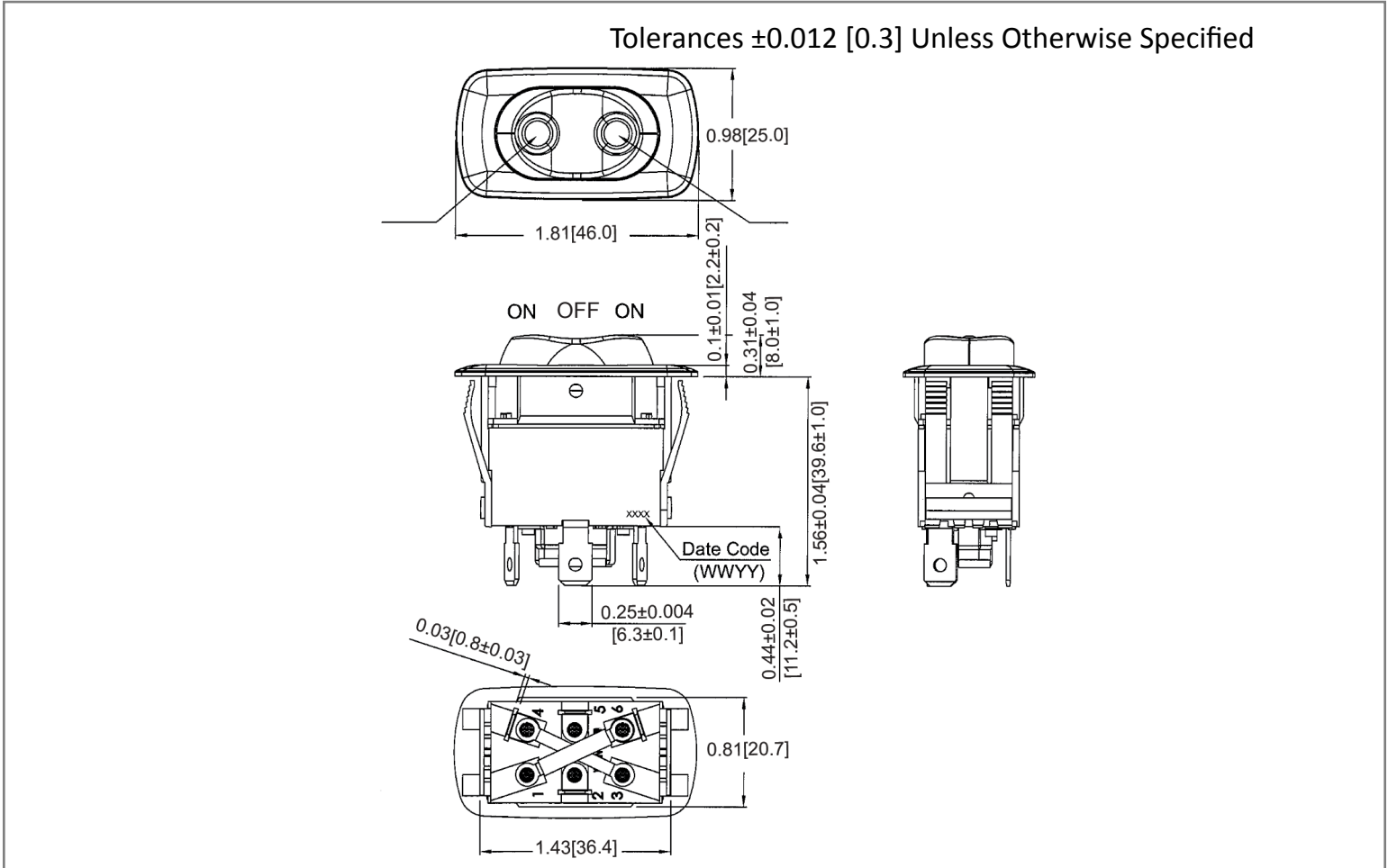
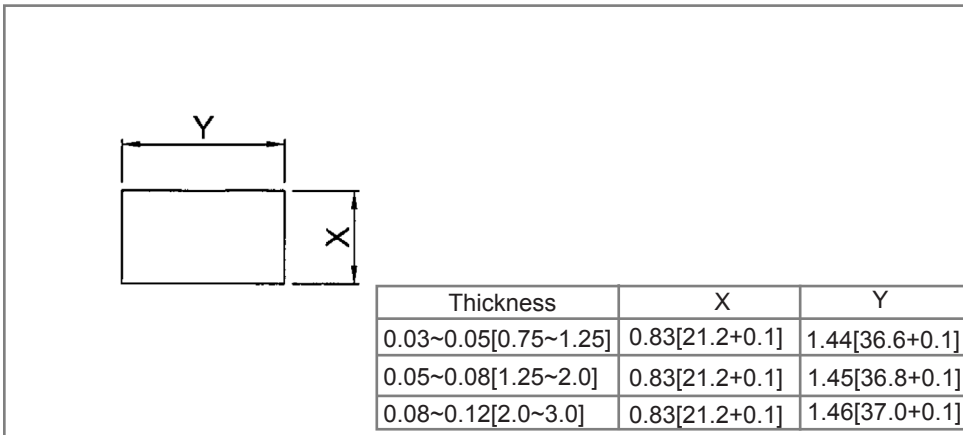


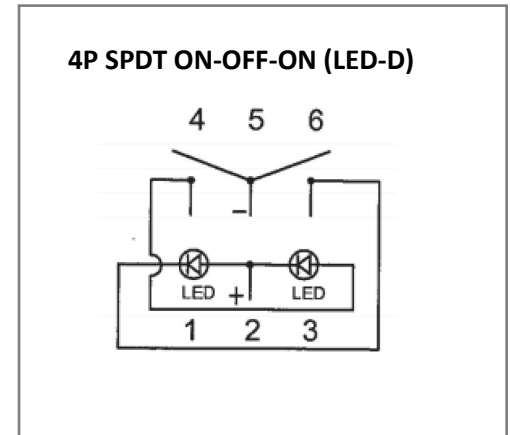
Mechanical Dimensions: Inches [mm]



Mounting Hole



Circuit Diagram



Electrical Specifications

| | |
|------------------------------|----------------------|
| Rating | 21A 14V DC |
| Contact Resistance | 50m ohm Max |
| Insulation Resistance | DC 500V 100M ohm Min |
| Dielectric Strength | AC 1500V 1minute |
| Operation Temperature | -20°C~85°C |

Material Specifications

| | |
|-----------------|---------------------------|
| Frame | Black, Nylon #66 |
| Actuator | Black, Nylon #66 |
| LED | Red/Red, LEDs (Dependent) |

| Rev | Date of issue | Revision Notes | Designed | Approved |
|-----|---------------|-----------------|----------|----------|
| B | 02-26-2020 | Initial Drawing | RC | OF |