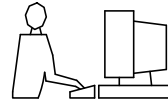


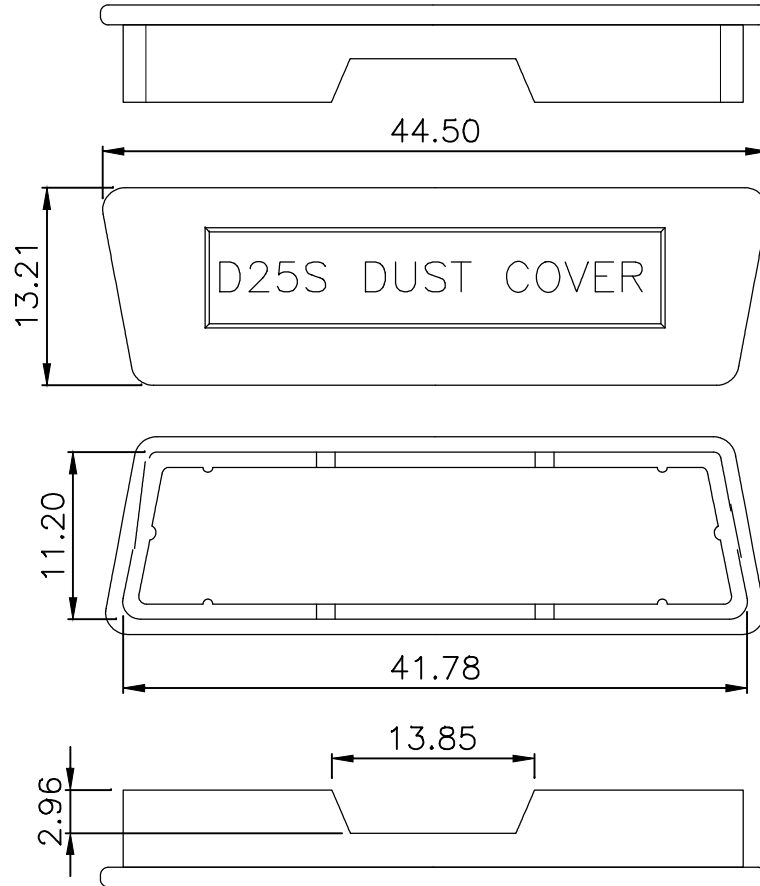
THIS IS A C.A.D. GENERATED DRAWING  
DO NOT MAKE MANUAL REVISIONS TO MASTER.



\* UNLESS OTHERWISE SPECIFIED TOLERANCES  
ON DECIMAL IS:

UNIT: MM

X. ± 0.50  
X.X ± 0.30  
X.XX ± 0.20



MATERIAL:  
Insulator: PE UL94HB Transparent

THESE DRAWINGS AND SPECIFICATIONS ARE THE  
PROPERTY OF MH CONNECTORS AND SHALL NOT BE  
REPRODUCED, COPIED OR USED AS THE BASIS FOR  
THE MANUFACTURE OR SALE OF APPARATUS WITHOUT  
WRITTEN PERMISSION.

DRAWN Change zhang		DATE 05-15-17
APPROVED Victor Lin		DATE 05-15-17
SCALE 1 : 1	SHEET OF 1 OF 1	REV: 1.0
DRAWING No MHDC25-S		



THIS SERIES FULLY CONFORMS TO THE  
EUROPEAN UNION DIRECTIVES 2002/95/EC  
AND 2002/96/EC FOR RoHS COMPLIANCY.



**MH CONNECTORS ,  
DIVISION OF EDAC**