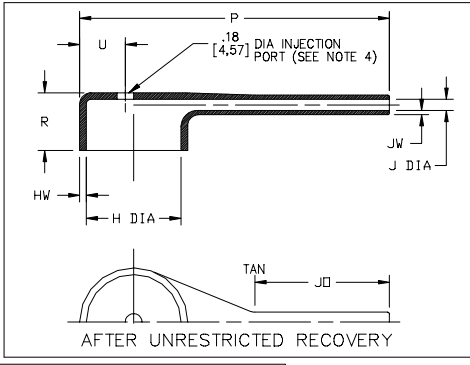
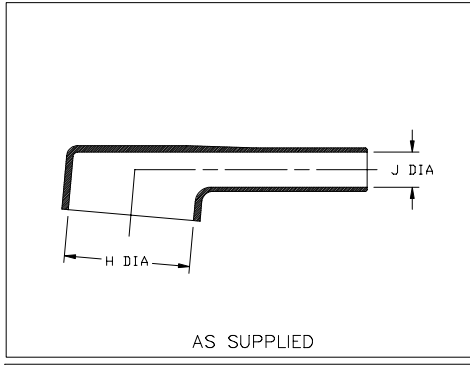


Thermofit[®] Molded Parts
 Specification Control Drawing
 Limited Distribution

Part Number : 222D921-X-02
 Description : Boot, 90°

NOTES

- All dimensions are in $\frac{\text{inches}}{\text{[millimeters]}}$
- Dimensions appearing in table are as follows:
 a - As Supplied
 b - After Unrestricted Recovery
- Coating is optional. As supplied dimensions appearing in table are for uncoated parts. When coating is added, entry diameters will be reduced by .06 max.
- Molding port is required. And will be located as shown.



PART NUMBER	H		J		P	R	U	J0	HW	JW
	Min a	Max b	Min a	Max b	±10% b	Ref b	±10% b	±10% b	±20% b	±20% b
222D921-X-02	.76 [19,3]	.51 [13,0]	.25 [6,3]	.08 [2,1]	1.75 [44,5]	.45 [11,4]	.22 [5,6]	.86 [21,8]	.06 [1,52]	.045 [1,14]

Raychem
 RAYCHEM CORPORATION
 300 CONSTITUTION DRIVE
 MENLO PARK, CALIFORNIA 94025

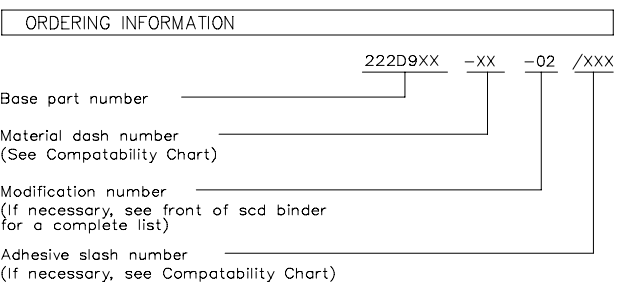
Revision : A
 Date : 10/16/96

Part Number : 222D921-X-02
 Description : Boot, 90°

Thermofit[®] Molded Parts
 Specification Control Drawing
 Limited Distribution

Part Number : 222D921-X-02
 Description : Boot, 90°

MATERIAL DASH NO.	MATERIAL DESCRIPTION	RT SPEC	COATING SLASH NO.	COATING S NO.	COATING DESCRIPTION
-3	Polyolefin, Semi-rigid	RT-301	/42;/86	S-1017;S-1048	Adhesive
-4	Polyolefin, Flexible	RT-1304	/42;/86	S-1017;S-1048	Adhesive
-25	Elastomer, Fluid Resistant	RT-1325	/86	S-1048	Adhesive



THIS DRAWING IS SUBJECT TO CHANGE WITHOUT NOTICE; CONSULT YOUR NEAREST FIELD REPRESENTATIVE FOR CURRENT REVISION

If this document is printed it becomes uncontrolled.
 Check for the latest revision.

Raychem
 RAYCHEM CORPORATION
 300 CONSTITUTION DRIVE
 MENLO PARK, CALIFORNIA 94025

Revision : A
 Date : 10/16/96

Part Number : 222D921-X-02
 Description : Boot, 90°