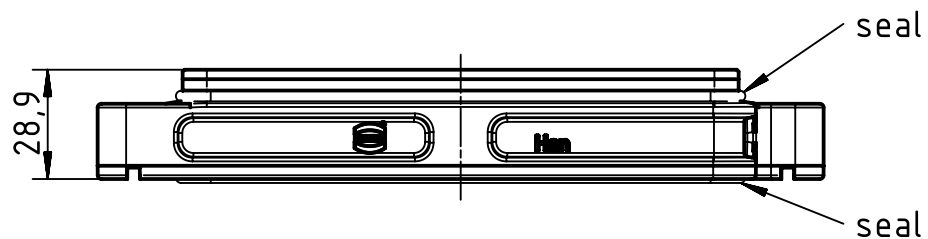
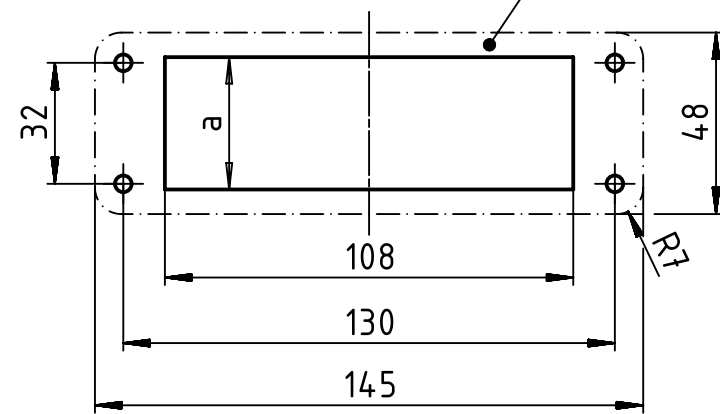


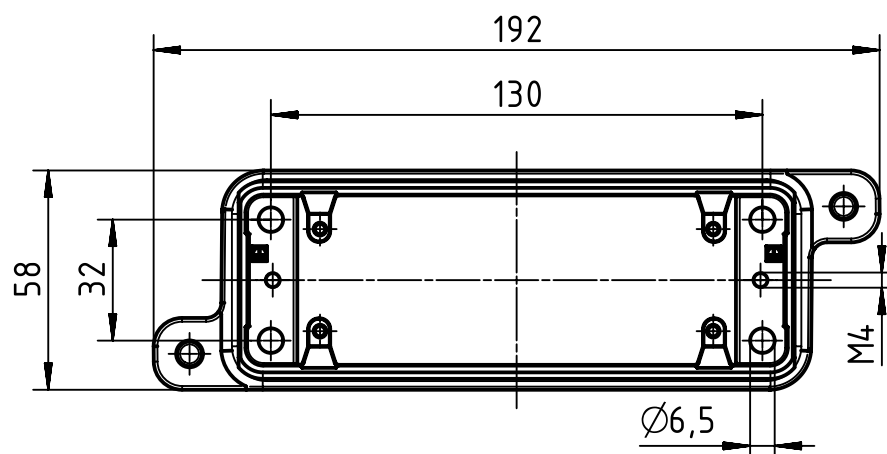
A



panel cut out for EMC features, conductive surface



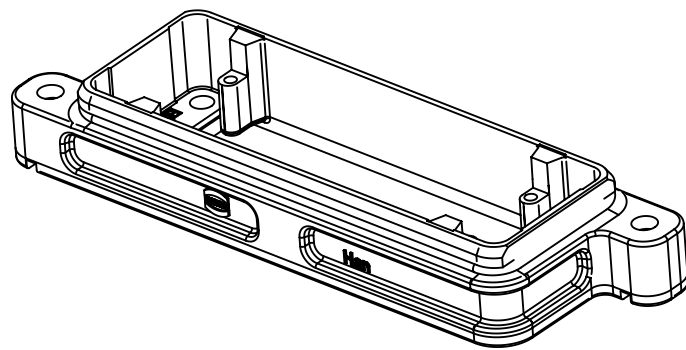
B



C

application	a
standard insert	35
HC-Modular 650	44,5

D



	All Dimensions in mm Original Size DIN A4		Scale 1:2	Free size tol.		Ref.	
	All rights reserved Department EL PD - DE		Created by FINKEV	Inspected by SCHNIEDER	Standardisation TIEMANNA	Date 2014-02-17	State Final Release
HARTING Electric GmbH & Co. KG D-32339 Espelkamp		Title Han 24HPR Base Panel Screw locking				Doc-Key / ECM-Nr. 100217699/UGD/004/A 500000068370	
		Type TB	Number 09 40 024 0311			Rev. A	Page 1/1