

PART #	ENG.#	DIM. "A"
71626-5000	SDA-71626-5000	.092

ADD COSMETIC NOTE EC NO: UCP2006-3051 DRAWN BY: BARRA CHKD: MORGAN APPR: SMILLER	2006/07/10	2006/07/10	2006/07/11
	DATE	DATE	DATE
	DESCRIPTION		

GENERAL TOLERANCES (UNLESS SPECIFIED)	
mm	INCH
4 PLACES ± .010	± .004
3 PLACES ± .013	± .005
2 PLACES ± 0.13	± .005
1 PLACE ± .010	± .004
ANGULAR ±1/2°	

DIMENSION STYLE	
IN/MM	
DRAWN BY	DATE
MOS	1994/07/08
CHECKED BY	DATE
MOS	1994/07/08
APPROVED BY	DATE
GF	1994/07/08
MATERIAL NO.	DOCUMENT NO.

SCALE	DESIGN UNITS	THIRD ANGLE PROJECTION
4:1	INCH	
.050 PITCH LFH 160CKT RIGHT ANGLE I/O FEMALE ASSEMBLY - WITHOUT PEG		
MOLEX INCORPORATED		SHEET NO. 1 OF 2
SEE TABLE		SDA-71626-5***
THIS DRAWING CONTAINS INFORMATION THAT IS PROPRIETARY TO MOLEX INCORPORATED AND SHOULD NOT BE USED WITHOUT WRITTEN PERMISSION		

13 12 11 10 9 8 7 6 5 4 3 2 1

NOTES:
1) MATERIALS:

HOUSING: LCP, 30% GLASS FILLED, 94V-0, BLACK.
TAIL ALIGNER: LCP 30% GLASS FILLED, 94V-0, BLACK.
MOLDED STICK: LCP 30% GLASS FILLED, 94V-0, BLACK.
FEMALE CONTACT: BERYLLIUM COPPER .0100±.0005 THICK.
OUTER SHELL: LOW CARBON STEEL.
THREADED INSERT: BRASS.

2) PLATING :

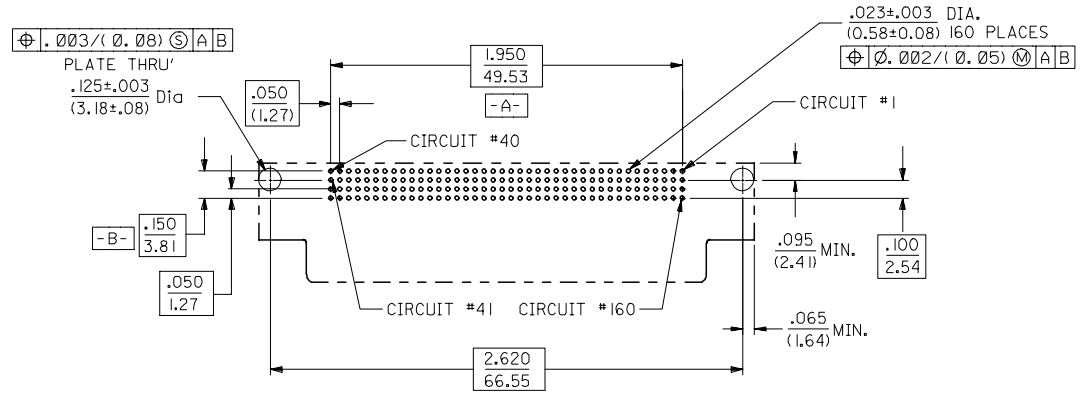
CONTACT: .000030 INCHES OF GOLD IN SELECTIVE AREA OVER
.000050/.000100 INCHES OF NICKEL IN CONTACT AREA;
.000100/.000200 INCHES OF TIN ON TAIL SECTION.

OUTER SHELL: .000150/.000200 INCHES OF TIN
OVER .000050/.000100 INCHES OF NICKEL
OVER .000050/.000100 INCHES
OF COPPER OVERALL (OPTIONAL).

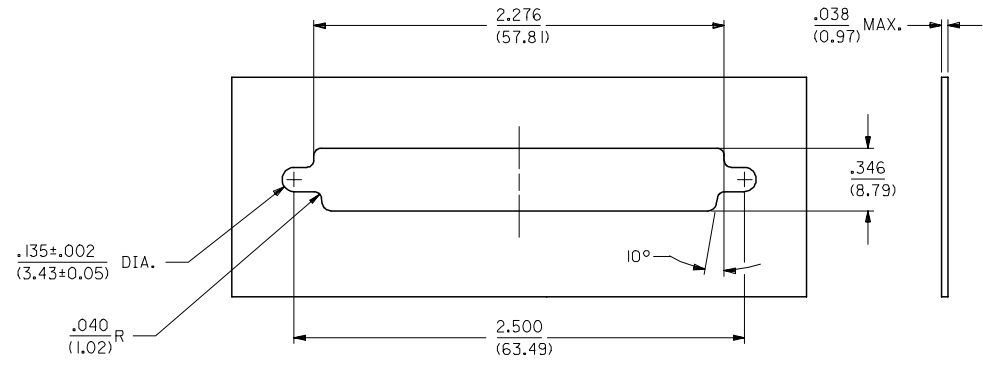
3) THIS PART CONFORMS TO MOLEX PRODUCT SPECIFICATION PS-71626.

4) PACKAGING SPECIFICATION PK-70873-0225 APPLIES.

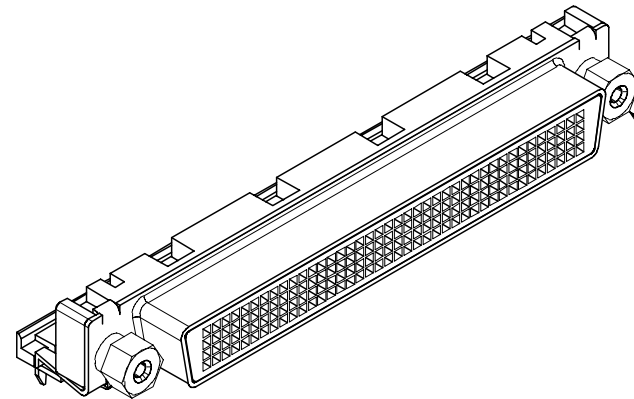
5) PART COMPLIES WITH CLASS B OF COSMETIC SPECIFICATION PS-45499-002



RECOMMENDED PC BOARD LAYOUT
COMPONENT SIDE



PANEL CUT-OUT DIMENSIONS
ALL TOLERANCES ±.003/(0.08)
UNLESS OTHERWISE STATED.



FOR OPTIONAL HARDWARE DETAILS
SEE SDA-71629-*****

ADD NOTE 5 FC NO: UCP2006-3051 DRAWN:MS:BARRA 2006/07/10 CHKD:DMORGAN 2006/07/10 APPR:SMILLER 2006/07/11	DESCRIPTION REVISIONS 1 2	QUALITY SYMBOLS ▽=0 ▽=0	GENERAL TOLERANCES (UNLESS SPECIFIED) <table border="1"> <tr> <th></th> <th>mm</th> <th>INCH</th> </tr> <tr> <td>4 PLACES</td> <td>± .003</td> <td>± .003</td> </tr> <tr> <td>3 PLACES</td> <td>± .004</td> <td>± .004</td> </tr> <tr> <td>2 PLACES</td> <td>± .005</td> <td>± .005</td> </tr> <tr> <td>1 PLACE</td> <td>± .007</td> <td>± .007</td> </tr> </table>		mm	INCH	4 PLACES	± .003	± .003	3 PLACES	± .004	± .004	2 PLACES	± .005	± .005	1 PLACE	± .007	± .007	DIMENSION STYLE IN/MM	SCALE 2:1	DESIGN UNITS INCH	THIRD ANGLE PROJECTION
			mm	INCH																		
		4 PLACES	± .003	± .003																		
		3 PLACES	± .004	± .004																		
2 PLACES	± .005	± .005																				
1 PLACE	± .007	± .007																				
DRAWN BY DATE MOS 1994/07/08			TITLE .050 PITCH LFH 160CKT RIGHT ANGLE RECEPTACLE ASSEMBLY WITHOUT PEG																			
CHECKED BY DATE GF 1994/07/08			MATERIAL NO. DOCUMENT NO. SEE TABLE SDA-71626-5***																			
APPROVED BY DATE GF 1994/07/08			SHEET NO. 2 OF 2																			

12 11 10 9 8 7 6 5 4 3 2 1