

2	D
1	D
SHT	REV

<b>ADD COSMETIC NOTE</b> EC NO: UCP2006-3051 DRAWN BY: BARRA 2006/07/10 CHKD: MORGAN 2006/07/10 APPR: SMILLER 2006/07/11	<b>QUALITY SYMBOLS</b> 	<b>GENERAL TOLERANCES (UNLESS SPECIFIED)</b>		<b>DIMENSION STYLE</b> IN/MM		SCALE 4:1	DESIGN UNITS INCH	THIRD ANGLE PROJECTION	
		4 PLACES ± --- ± ---	mm	INCH	DRAWN BY	DATE	TITLE	.050 PITCH LFH 160CKT RIGHT ANGLE I/O FEMALE ASSEMBLY - WITHOUT PEG MOLEX INCORPORATED	
		3 PLACES ± --- ± .010			CHECKED BY	DATE			
		2 PLACES ± 0.13 ± ---			MOS	1994/07/08			
1 PLACE ± --- ± ---			APPROVED BY	DATE					
ANGULAR ±1/2°				GF	1994/07/08				
DRAFT WHERE APPLICABLE MUST REMAIN WITHIN DIMENSIONS		SEE TABLE		MATERIAL NO.		DOCUMENT NO.	SHEET NO.		
				C		SDA-71626-5***		1 OF 2	

PART #	ENG.#	DIM. "A"
71626-5000	SDA-71626-5000	.092

13 12 11 10 9 8 7 6 5 4 3 2 1

NOTES:  
1) MATERIALS:

HOUSING: LCP, 30% GLASS FILLED, 94V-0, BLACK.  
TAIL ALIGNER: LCP 30% GLASS FILLED, 94V-0, BLACK.  
MOLDED STICK: LCP 30% GLASS FILLED, 94V-0, BLACK.  
FEMALE CONTACT: BERYLLIUM COPPER .0100±.0005 THICK.  
OUTER SHELL: LOW CARBON STEEL.  
THREADED INSERT: BRASS.

2) PLATING :

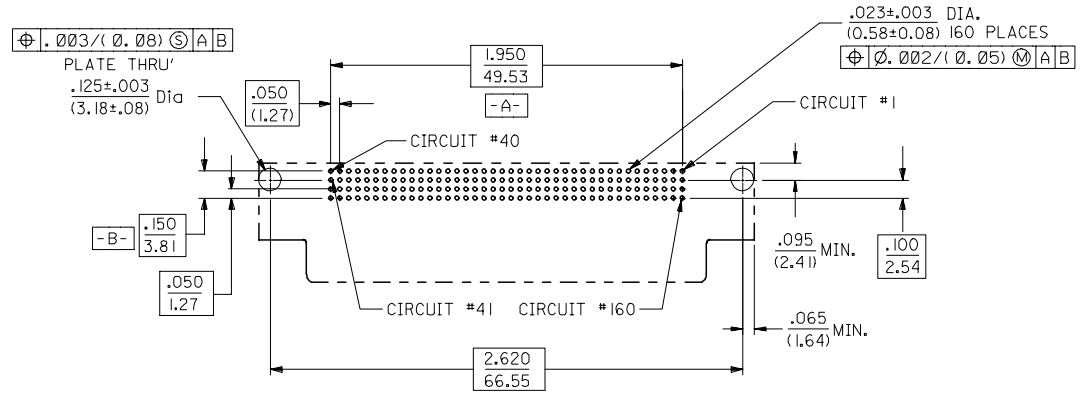
CONTACT: .000030 INCHES OF GOLD IN SELECTIVE AREA OVER  
.000050/.000100 INCHES OF NICKEL IN CONTACT AREA;  
.000100/.000200 INCHES OF TIN ON TAIL SECTION.

OUTER SHELL: .000150/.000200 INCHES OF TIN  
OVER .000050/.000100 INCHES OF NICKEL  
OVER .000050/.000100 INCHES  
OF COPPER OVERALL (OPTIONAL).

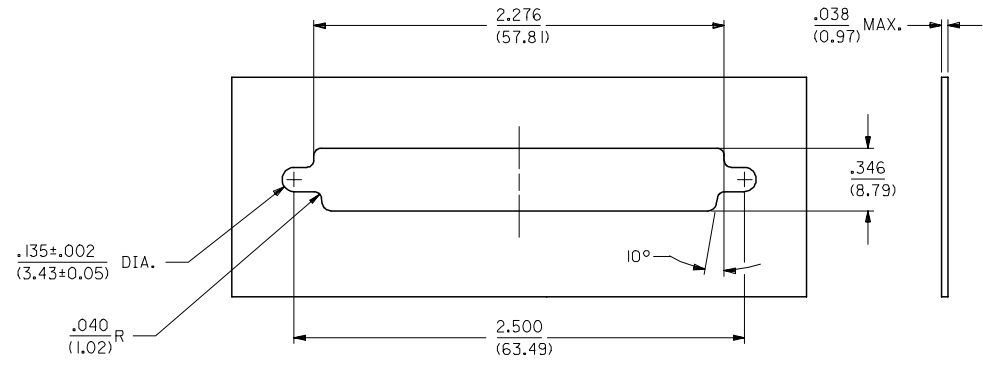
3) THIS PART CONFORMS TO MOLEX PRODUCT SPECIFICATION PS-71626.

4) PACKAGING SPECIFICATION PK-70873-0225 APPLIES.

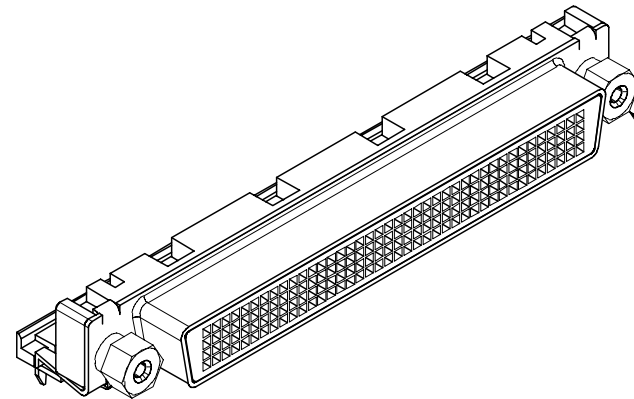
5) PART COMPLIES WITH CLASS B OF COSMETIC SPECIFICATION PS-45499-002



RECOMMENDED PC BOARD LAYOUT  
COMPONENT SIDE



PANEL CUT-OUT DIMENSIONS  
ALL TOLERANCES ±.003/(0.08)  
UNLESS OTHERWISE STATED.



FOR OPTIONAL HARDWARE DETAILS  
SEE SDA-71629-\*\*\*\*\*

ADD NOTE 5 FC NO: UCP2006-3051 DRAWN BY: BARRA 2006/07/10 CHKD: MORGAN 2006/07/10 APPR: MILLER 2006/07/11	DESCRIPTION REV	QUALITY SYMBOLS	GENERAL TOLERANCES (UNLESS SPECIFIED)	DIMENSION STYLE	SCALE	DESIGN UNITS	THIRD ANGLE PROJECTION
		$\nabla=0$ $\nabla=0$	mm INCH 4 PLACES ± --- ± --- 3 PLACES ± --- ± --- 2 PLACES ± --- ± --- 1 PLACE ± --- ± --- ANGULAR ±1/2°	IN/MM DRAWN BY DATE MOS 1994/07/08 CHECKED BY DATE GF 1994/07/08 APPROVED BY DATE GF 1994/07/08	2:1	INCH	
		DRAFT WHERE APPLICABLE MUST REMAIN WITHIN DIMENSIONS	SEE TABLE SIZE C	MATERIAL NO. SDA-71626-5***	TITLE .050 PITCH LFH 160CKT RIGHT ANGLE RECEPTACLE ASSEMBLY WITHOUT PEG	MOLEX MOLEX INCORPORATED	SHEET NO. 2 OF 2
		THIS DRAWING CONTAINS INFORMATION THAT IS PROPRIETARY TO MOLEX INCORPORATED AND SHOULD NOT BE USED WITHOUT WRITTEN PERMISSION					

12 11 10 9 8 7 6 5 4 3 2 1