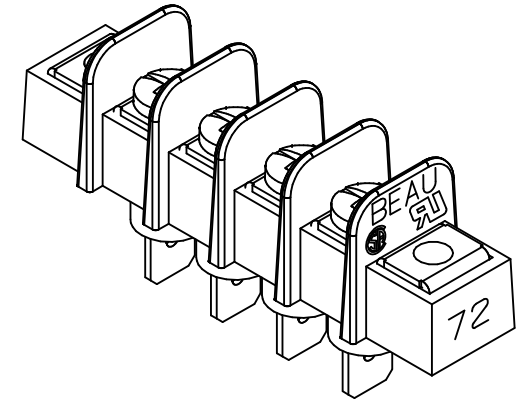
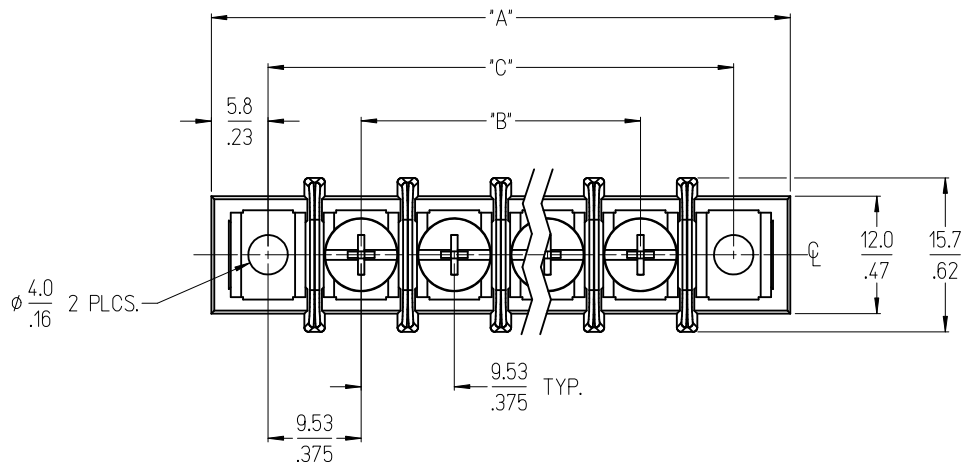
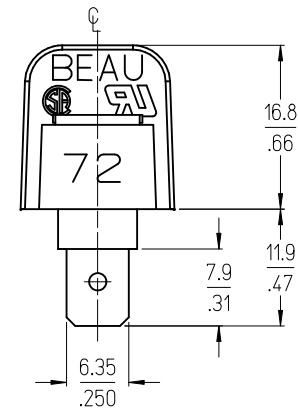
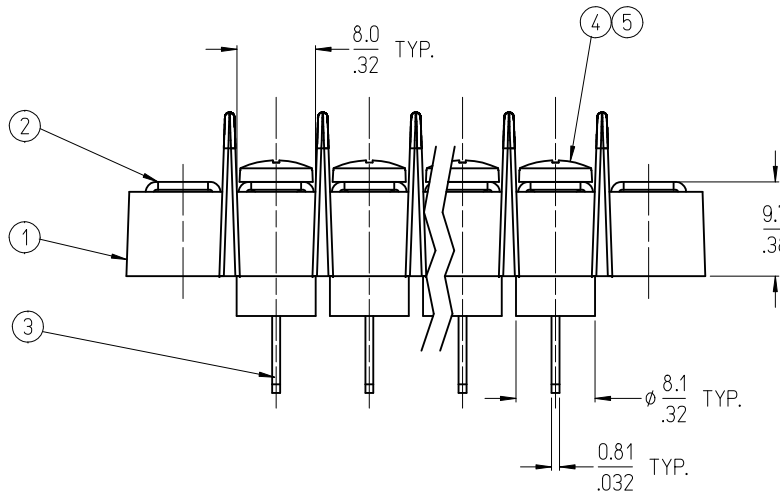


REF. -50 OPT. SCREW
(WHERE APPLICABLE)



4 CIRCUIT SHOWN



NOTES:

- 1. MATERIAL: SEE TABLE
- 2. 'XX' REFERS TO THE QUANTITY OF CIRCUITS.
- 3. ROHS COMPLIANT.

| | | | | |
|------|------|---|-----------------|--------------------|
| 6 | XX | SCREW&WASHER, #6-32X.25, PAN, PH/SL (-50 OPT) | STEEL | ZN. CLEAR CHROMATE |
| 5 | XX | SCREW, #6-32X.25, BHD, PH/SL (-49 OPT) | BRASS | NICKEL PLATE |
| 4 | XX | SCREW, #6-32X.25, BHD, PH/SL (STD.) | STEEL | ZN. CLEAR CHROMATE |
| 3 | XX | TERMINAL, FT .250 | BRASS | TIN PLATE |
| 2 | 2 | MOUNTING PLATE | BRASS | NICKEL PLATE |
| 1 | 1 | INSULATOR, SR W/MTG. .250 SLOT | POLYESTER (PBT) | BLACK |
| ITEM | QTY. | DESCRIPTION | MATERIAL | FINISH |

INITIAL RELEASE
 EC NO: WNA2011-0364
 DRAWN: JENC INAS 2011/03/04
 CHKD: JMACNEIL 2011/03/04
 APPR: JMACNEIL 2011/04/08

QUALITY SYMBOLS
 ▽=0
 ▽=0

| | |
|--|--------------|
| GENERAL TOLERANCES (UNLESS SPECIFIED) | |
| | mm INCH |
| 4 PLACES | ± --- ± --- |
| 3 PLACES | ± --- ± .005 |
| 2 PLACES | ± 0.13 ± .01 |
| 1 PLACE | ± 0.3 ± --- |
| ANGULAR ± 2 ° | |
| DRAFT WHERE APPLICABLE MUST REMAIN WITHIN DIMENSIONS | |

| | |
|-----------------|------------|
| DIMENSION STYLE | |
| MM/IN | |
| DRAWN BY | DATE |
| R. KEMP | 2003/04/14 |
| CHECKED BY | DATE |
| R. STONE | 2003/04/14 |
| APPROVED BY | DATE |
| JMACNEIL | 2011/04/08 |
| MATERIAL NO. | |
| SEE SHT. 2 | |

| | | |
|---|--------------|------------------------|
| SCALE | DESIGN UNITS | THIRD ANGLE PROJECTION |
| 2:1 | INCH | ☉ □ |
| TITLE | | |
| 9.53MM [.375] SR BTS, FT 250 ASSY W/MTG. ENDS | | |
| MOLEX INCORPORATED | | SHEET NO. |
| DOCUMENT NO. SD-38729-060 | | 1 OF 2 |
| THIS DRAWING CONTAINS INFORMATION THAT IS PROPRIETARY TO MOLEX INCORPORATED AND SHOULD NOT BE USED WITHOUT WRITTEN PERMISSION | | |

| NO. OF CIRCUITS | DIM. "A" | | DIM. "B" | | DIM. "C" | | ASSEMBLY MATERIAL NO. (STANDARD) | ASSEMBLY MATERIAL NO. (-49 OPT) | ASSEMBLY MATERIAL NO. (-50 OPT) |
|-----------------|----------|-------|----------|-------|----------|--------|----------------------------------|---------------------------------|---------------------------------|
| | mm | in | mm | in | mm | in | | | |
| 02 | 40.1 | 1.58 | 9.53 | 0.375 | 28.58 | 1.125 | | | |
| 03 | 49.7 | 1.96 | 19.05 | 0.750 | 38.10 | 1.500 | 387291439 | | 387291423 |
| 04 | 59.2 | 2.33 | 28.58 | 1.125 | 47.63 | 1.875 | 387291526 | | |
| 05 | 68.7 | 2.71 | 38.10 | 1.500 | 57.15 | 2.250 | 387291050 | 387290971 | |
| 06 | 78.2 | 3.08 | 47.63 | 1.875 | 66.68 | 2.625 | | | |
| 07 | 87.8 | 3.46 | 57.15 | 2.250 | 76.20 | 3.000 | | | 387291487 |
| 08 | 97.3 | 3.83 | 66.68 | 2.625 | 85.73 | 3.375 | | 387291028 | |
| 09 | 106.8 | 4.21 | 76.20 | 3.000 | 95.25 | 3.750 | | | |
| 10 | 116.3 | 4.58 | 85.73 | 3.375 | 104.78 | 4.125 | | | |
| 11 | 125.9 | 4.96 | 95.25 | 3.750 | 114.30 | 4.500 | | | |
| 12 | 135.4 | 5.33 | 104.78 | 4.125 | 123.83 | 4.875 | | | |
| 13 | 144.9 | 5.71 | 114.30 | 4.500 | 133.35 | 5.250 | | | |
| 14 | 154.4 | 6.08 | 123.83 | 4.875 | 142.88 | 5.625 | | 387291036 | 387291630 |
| 15 | 164.0 | 6.46 | 133.35 | 5.250 | 152.40 | 6.000 | | | |
| 16 | 173.5 | 6.83 | 142.88 | 5.625 | 161.93 | 6.375 | | | |
| 17 | 183.0 | 7.21 | 152.40 | 6.000 | 171.45 | 6.750 | | | |
| 18 | 192.5 | 7.58 | 161.93 | 6.375 | 180.98 | 7.125 | 387291508 | 387290850 | |
| 19 | 202.1 | 7.96 | 171.45 | 6.750 | 190.50 | 7.500 | | | |
| 20 | 211.6 | 8.33 | 180.98 | 7.125 | 200.03 | 7.875 | | | 387291628 |
| 21 | 221.1 | 8.71 | 190.50 | 7.500 | 209.55 | 8.250 | | | |
| 22 | 230.6 | 9.08 | 200.03 | 7.875 | 219.08 | 8.625 | | 387291038 | |
| 23 | 240.2 | 9.46 | 209.55 | 8.250 | 228.60 | 9.000 | | | |
| 24 | 249.7 | 9.83 | 219.08 | 8.625 | 238.13 | 9.375 | | 387291642 | |
| 25 | 259.2 | 10.21 | 228.60 | 9.000 | 247.65 | 9.750 | | | |
| 26 | 268.7 | 10.58 | 238.13 | 9.375 | 257.18 | 10.125 | | | |

| | | | | | | |
|---|--|---------------------------------------|---|---|--------------|------------------------|
| SEE SHEET 1 EC NO: WNA2011-0364 DRWN: JENC INAS 2011/03/04 CHKD: JMACNEIL 2011/03/04 APPR: JMACNEIL 2011/04/08 A | QUALITY SYMBOLS | GENERAL TOLERANCES (UNLESS SPECIFIED) | DIMENSION STYLE | SCALE | DESIGN UNITS | THIRD ANGLE PROJECTION |
| | ▽=0 | mm INCH | MM/IN | --- | INCH | |
| | ▽=0 | 4 PLACES ± --- ± --- | DRAWN BY DATE | TITLE 9.53MM [.375] SR BTS, FT 250 ASSY W/MTG. ENDS | | |
| | | 3 PLACES ± --- ± .005 | R. KEMP 2003/04/14 | | | |
| | | 2 PLACES ± 0.13 ± .01 | CHECKED BY DATE | MOLEX INCORPORATED | | |
| | 1 PLACE ± 0.3 ± --- | R. STONE 2003/04/14 | | | | |
| | ANGULAR ± 2 ° | APPROVED BY DATE | DOCUMENT NO. SD-38729-060 SHEET NO. 2 OF 2 | | | |
| | | JMACNEIL 2011/04/08 | | | | |
| | DRAFT WHERE APPLICABLE MUST REMAIN WITHIN DIMENSIONS | MATERIAL NO. | THIS DRAWING CONTAINS INFORMATION THAT IS PROPRIETARY TO MOLEX INCORPORATED AND SHOULD NOT BE USED WITHOUT WRITTEN PERMISSION | | | |
| | | SEE CHART | | | | |
| | | SIZE B | | | | |