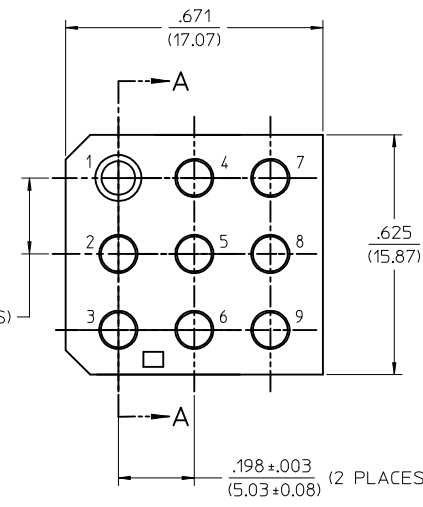
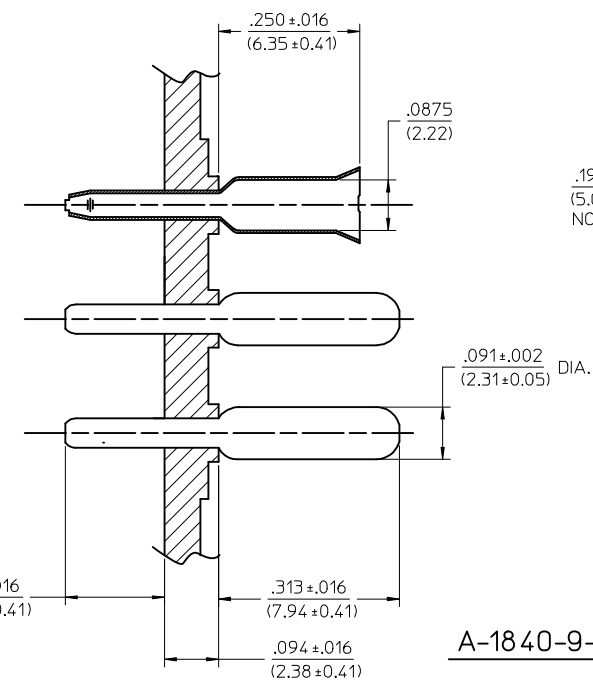


- MATERIAL:
BASE AND RECEPTACLE: NYLON PA66 PER 68200-0037, UL94V-2, COLOR: NATURAL
TERMINALS: MALE - C26000 ALLOY BRASS
FEMALE - C51000 PHOS. BRONZE
- FINISH:
999 - UNPLATED
102 - (MALE TERMINALS ONLY)
.0002000/0.00508 MIN. TIN OVER
.000100/0.00254 MIN. COPPER
126 - (FEMALE TERMINALS ONLY)
.000050/0.00127 MIN. TIN
.000050/0.00127 MIN. NICKEL
- PRODUCT SPECIFICATION: N/A
- PACKAGING SPECIFICATION: PK-1840-001
- POLARIZATION ACCOMPLISHED THROUGH AN INTER-MIX OF MALE AND FEMALE TERMINALS. (MOLEX .093 TERMINALS)
- TERMINAL PATTERN CODE:
M = MALE TERMINALS
F = FEMALE TERMINALS
B = NO TERMINALS



SCALE: 4:1

09-18-5094	A-1840-9-12	F	M	M	M	M	M	M	M	M
09-18-5098	A-1840-9-5	F	M	M	M	M	M	F	M	M
PART NO.	ENG. NO.	1	2	3	4	5	6	7	8	9
TERMINAL PATTERN										

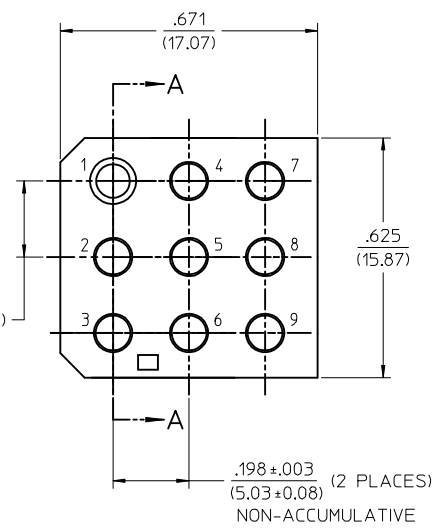
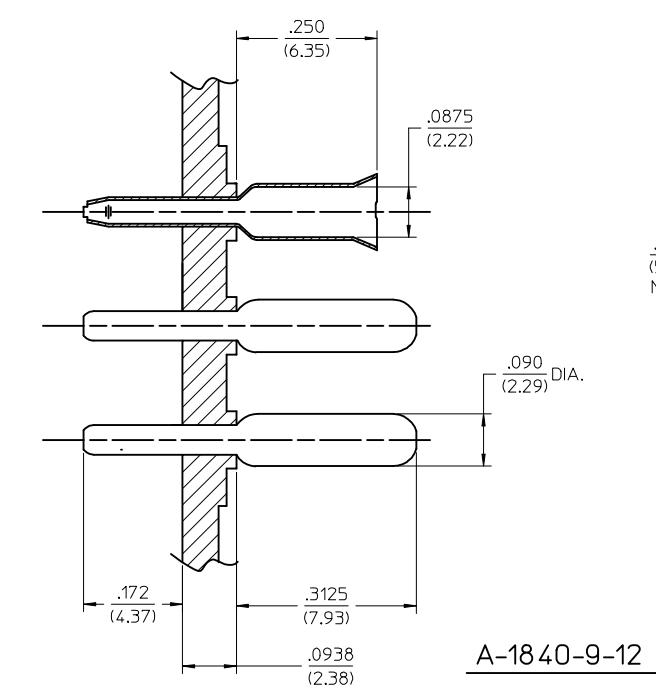
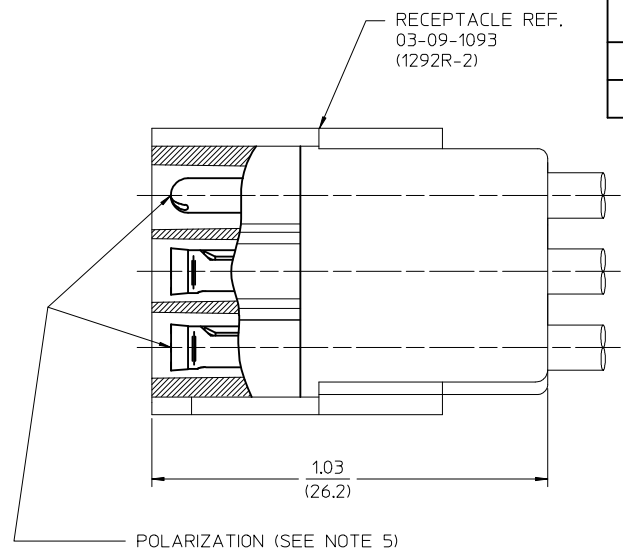
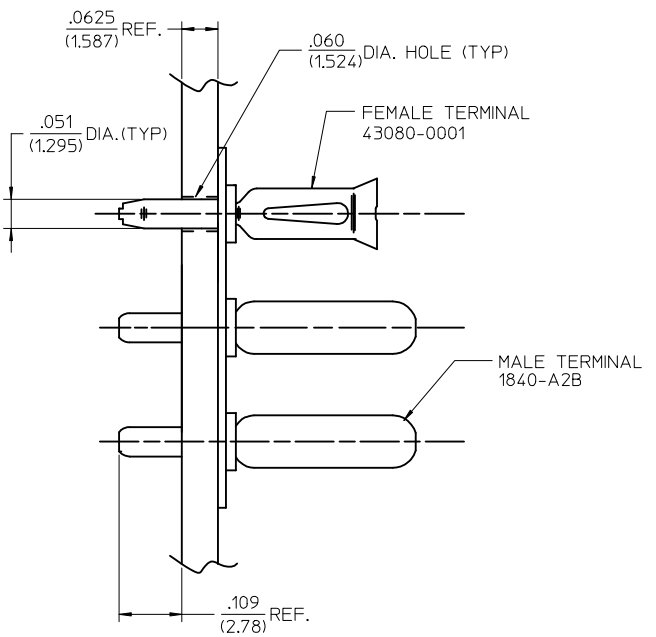


SECTION "A-A"

A-1840-9-12 SHOWN

ADD PKG SPECS EC NO: UCP2013-4695 DRW:ALHAG 2013/05/01 CHKD:JBELL 2013/05/01 APPR:FSMITH 2013/05/13	QUALITY SYMBOLS ∇=0 ∇=0 ∇=1	GENERAL TOLERANCES (UNLESS SPECIFIED) <table border="1"> <tr> <th></th> <th>mm</th> <th>INCH</th> </tr> <tr> <td>4 PLACES ±</td> <td>---</td> <td>---</td> </tr> <tr> <td>3 PLACES ±</td> <td>---</td> <td>±.005</td> </tr> <tr> <td>2 PLACES ±</td> <td>0.13</td> <td>±.010</td> </tr> <tr> <td>1 PLACE ±</td> <td>0.25</td> <td>±---</td> </tr> </table>		mm	INCH	4 PLACES ±	---	---	3 PLACES ±	---	±.005	2 PLACES ±	0.13	±.010	1 PLACE ±	0.25	±---	DIMENSION STYLE IN/MM DRAWN BY DATE EWC 1974/04/30 CHECKED BY DATE JBELL 2013/05/01 APPROVED BY DATE FSMITH 2011/09/14	SCALE 6:1 DESIGN UNITS INCH THIRD ANGLE PROJECTION	CONNECTOR PC BOARD WAFERCON 9 CIRCUIT MOLEX INCORPORATED MATERIAL NO. 1840-9-* SHEET NO. 1 OF 1
		mm	INCH																	
	4 PLACES ±	---	---																	
	3 PLACES ±	---	±.005																	
2 PLACES ±	0.13	±.010																		
1 PLACE ±	0.25	±---																		
DRAFT WHERE APPLICABLE MUST REMAIN WITHIN DIMENSIONS		SEE CHART	THIS DRAWING CONTAINS INFORMATION THAT IS PROPRIETARY TO MOLEX INCORPORATED AND SHOULD NOT BE USED WITHOUT WRITTEN PERMISSION																	
A1		THIS DRAWING CONTAINS INFORMATION THAT IS PROPRIETARY TO MOLEX INCORPORATED AND SHOULD NOT BE USED WITHOUT WRITTEN PERMISSION																		
REV		THIS DRAWING CONTAINS INFORMATION THAT IS PROPRIETARY TO MOLEX INCORPORATED AND SHOULD NOT BE USED WITHOUT WRITTEN PERMISSION																		

PART NO.	ENG. NO.	TERMINAL PATTERN								
		1	2	3	4	5	6	7	8	9
09-18-5094	A-1840-9-12	F	M	M	M	M	M	M	M	M
09-18-5098	A-1840-9-5	F	M	M	M	M	M	F	M	M



- NOTES:
- MATERIAL:
BASE AND RECEPTACLE: NYLON PA66, UL94V-0, COLOR: NATURAL
TERMINALS: MALE - BRASS ALLOY
FEMALE - PHOSPHOR BRONZE ALLOY
 - FINISH:
MALE TERMINALS: .000200/0.00508 MIN. TIN OVER
.000100/0.00254 MIN. COPPER
FEMALE TERMINALS: .000050/0.00127 MIN. TIN OVER
.000050/0.00127 MIN. NICKEL
 - PRODUCT SPECIFICATION: N/A
 - PACKAGING SPECIFICATION: PK-1840-001
 - POLARIZATION ACCOMPLISHED THROUGH AN INTER-MIX OF MALE AND FEMALE TERMINALS. (MOLEX .093 TERMINALS)
 - TERMINAL PATTERN CODE:
A) M = MALE TERMINALS
B) F = FEMALE TERMINALS
C) B = NO TERMINALS
 - PARTS TO BE MOUNTED ON SUPPORTED EDGE OF P.C. BOARD.

SCALE: 4:1

A-1840-9-12 SHOWN

SECTION "A-A"

ADD PKG SPECS EC NO: UCP2013-4695 DRW: AELHAG 2013/05/01 CHKD: JBELL 2013/05/01 APPR: FSMITH 2013/05/13	QUALITY SYMBOLS	GENERAL TOLERANCES (UNLESS SPECIFIED)	DIMENSION STYLE	SCALE	DESIGN UNITS	THIRD ANGLE PROJECTION
	▽=0	mm INCH	IN/MM	6:1	INCH	
	▽=0	4 PLACES ± --- ± ---	DRAWN BY DATE	TITLE		
	▽=0	3 PLACES ± --- ± .005	EWC 1974/04/30	CONNECTOR		
	2 PLACES ± 0.13 ± .010	CHECKED BY DATE	PC BOARD WAFERCON			
	1 PLACE ± 0.25 ± ---	JBELL 2013/05/01	9 CIRCUIT			
	ANGULAR ± 1/2°	APPROVED BY DATE	MOLEX INCORPORATED			
	DRAFT WHERE APPLICABLE MUST REMAIN WITHIN DIMENSIONS	FSMITH 2011/09/14	SDA-1840-9-*			
		MATERIAL NO.	SEE CHART		SHEET NO.	
			THIS DRAWING CONTAINS INFORMATION THAT IS PROPRIETARY TO MOLEX INCORPORATED AND SHOULD NOT BE USED WITHOUT WRITTEN PERMISSION		1 OF 1	