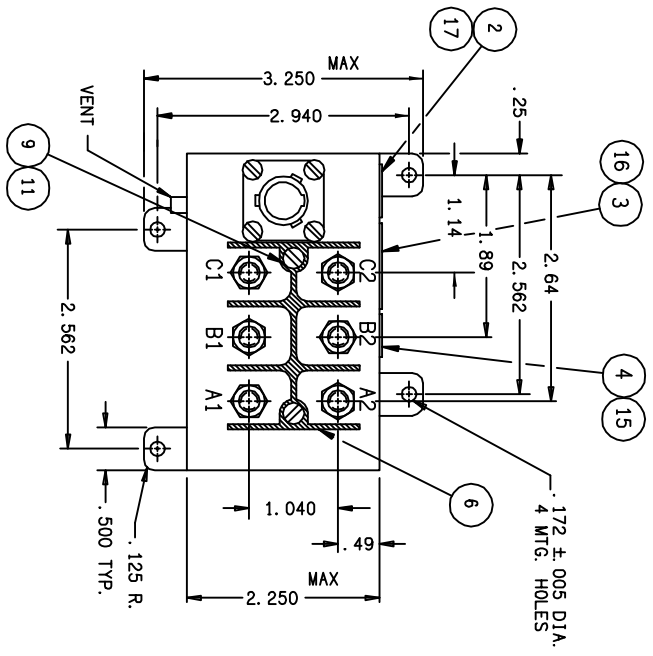


REV.	DESCRIPTION	RELEASED DATE	APPROVED
A	UPDATED DRAWING	97/04/10	RS
B	RELEASED TO PRODUCTION	97/05/20	RS
C	VIBRATION WAS SINE. LIFE AT RATED LOAD ADDED. REF. GRUWMAN ADDED	97/08/22	RS
D	TRIP PTS. 60 AMP WAS 75. 300 AMP WAS 250. 4.0-6.0 WAS 1.2-2.0. 2.0-3.0 WAS 0.34-0.65	98/03/16	RS
E	08-07-1322 3.26 DIM. WAS 3.23	08/10/13	CB



NOTE: FOR PROPER OPERATION, PIN A REQUIRES 18 TO 28 VDC

**CONSTRUCTION**  
MAIN CONTACTS  
CONFIGURATION  
VOLTAGE (NOM.)  
CURRENT RES.  
MOTOR RPTURE  
OPERATE TIMES:  
CLOSING  
TRIPPING  
OPENING  
BREAKING  
AUXILIARY CONTACTS  
CONFIGURATION  
CURRENT: RES.  
IND.

**COIL DATA**  
DUTY CYCLE  
MIN. OPER. VOLTAGE  
MAX. OPER. VOLTAGE  
RESISTANCE

**ENVIRONMENTAL DATA**  
OPERATING TEMP.  
VIBRATION: RANDOM  
SHOCK  
ALTITUDE  
LIFE MECHANICAL  
LIFE AT RATED LOAD  
WEIGHT MAX.

**GASKET SEALED (VENTED)**  
3PST SIDE STABLE  
115/208 VAC 400 - 610 HZ  
50 AMP 50,000 CYCLES  
50 AMP 50,000 CYCLES  
500 AMP

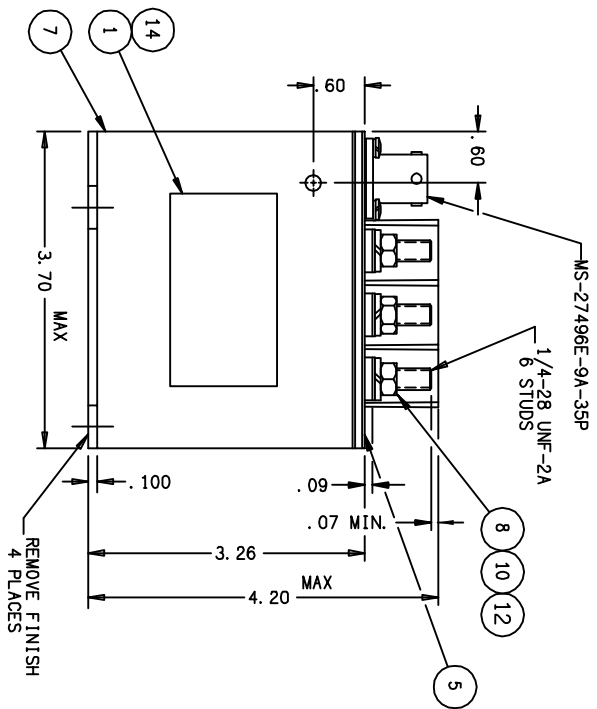
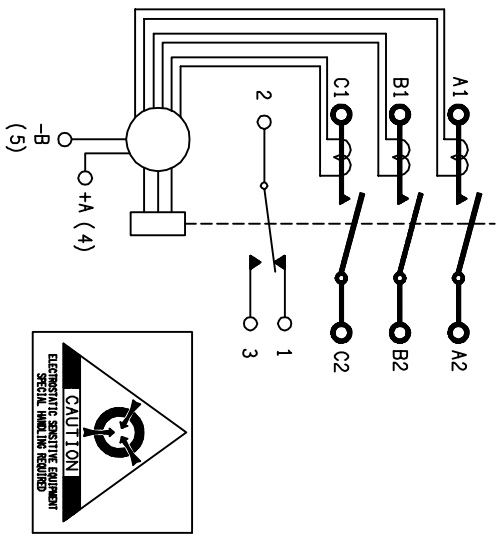
**SPDT**  
28 VDC 115 VAC 400 - 610 HZ  
5 AMP  
3 AMP

**CONTINUOUS ECONOMIZED**  
18VDC AT 85°C  
32 VDC  
PICKUP - 5.7 OHMS ± 10%  
HOLD - 72.0 OHMS ± 10%

**TRIP POINTS**  
TRIP TIME (SECONDS)  
8.0 TO 10.0  
4.0 TO 6.0  
2.0 TO 3.0  
0.07 TO 0.20

**PER GR835AAU**  
50g MAX, 10-12 MS SAWTOOTH  
60,000 FT. MAX  
100,000 CYCLES MIN.  
50,000 CYCLES MIN.  
1.55 LBS.

**-55°C TO +85°C**  
PER GR835AAU  
50g MAX, 10-12 MS SAWTOOTH  
60,000 FT. MAX  
100,000 CYCLES MIN.  
50,000 CYCLES MIN.  
1.55 LBS.



FIND NO	QTY	PART OR IDENTIFYING NO	NOMENCLATURE OR DESCRIPTION	FCSM NO	DRAWING OR SPECIFICATION	MATERIAL OR NOTE
17	1	39529-024	OVERLAY			
16	1	39529-009	OVERLAY			
15	1	39529-007	OVERLAY			
14	1	39529-001	OVERLAY			
13						
12	6	51807-034	WASHER - LOCK, NO. 1/4, SPLIT			BRONZE
11	2	51804-010	WASHER - LOCK, NO. 4, SPLIT			BRONZE
10	6	51703-064	WASHER - FLAT 1/2 X 17/64 X .032			BRASS
9	2	51204-960	SCREW 4-40 X 7/8 RD. HD.			BRASS
8	6	50407-074	NUT 1-4-28 X 3/8 X 3/16 HEX			BRASS
7	1	43154-050	CONTRACTOR ASSEMBLY - PRI.			
6	1	42726-001	SHIELD - TERMINAL			
5	1	42912-001	PLATE - BASE COVER			
4	1	41211-001	PLATE - WARNING			
3	1	42913-002	PLATE - WIRING DIAGRAM			
2	1	25695-001	PLATE - WARNING			
1	1	16043-001	PLATE - NAME			

UNLESS OTHERWISE SPECIFIED DIMENSIONS ARE IN INCHES TOLERANCES IN

2 PL. DEC. 3 PL. DEC. ANGLES ± .06 ± .010 ± 1° SCALE NONE SHEET

GRUWMAN GR835 AAU

DR BY EAD 97/05/20  
CHK BY RS 97/05/20  
ENGR EAD 97/05/21  
MFG JH 97/05/21

SIZE CODE IDENT  
C 74063

115/208 VAC 3PST 50 AMP 093

RA-3100L

REF TE P/N 1616133-4