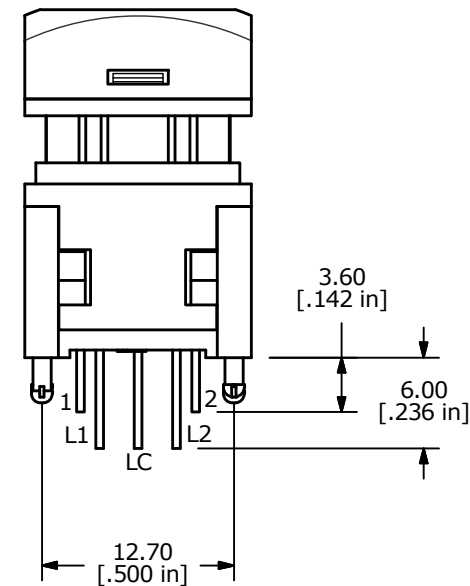
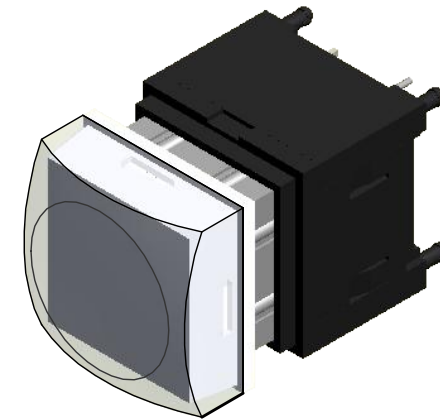
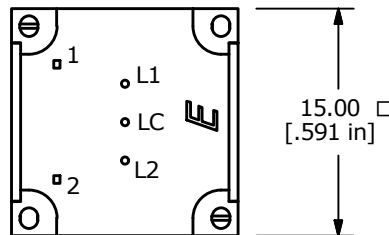
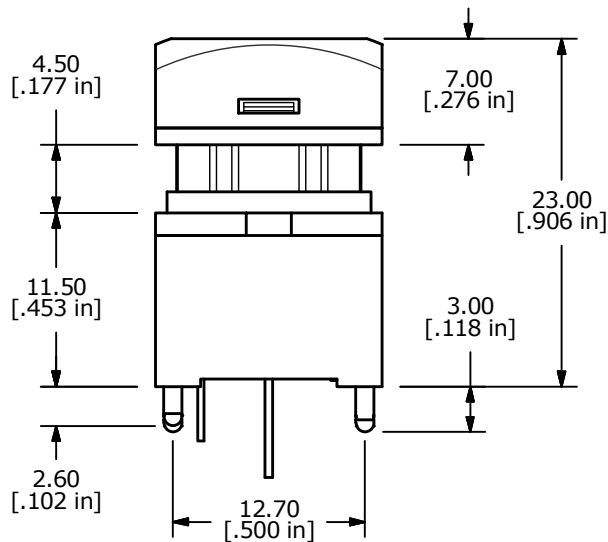
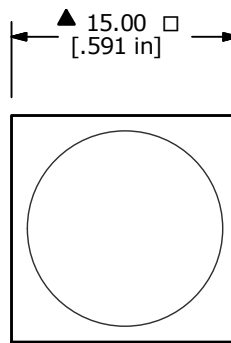


- NOTES:
1. ALL DIMENSIONS IN MM [INCH]
  2. GENERAL TOLERANCE: X.X = ± 0.4  
X.XX = ± 0.25
  3. TERM. NOS. FOR REFERENCE ONLY.
  4. RATING: 12VDC, 100mA
  5. CONTACT MATERIAL: GOLD PLATED
  6. CONTACT RESISTANCE: 200mΩ MAX.
  7. INSULATION RESISTANCE: 500VDC, 100 MΩ MIN.
  8. OPERATING FORCE: 200 ± 80 gf
  9. MECHANICAL LIFE: 2,000,000 CYCLES
  10. OPERATING TEMP: -40°C ~ 85°C
  - ▲ 11. LED COLORS: PURE GREEN
  12. TRAVEL: 4.50mm ± 0.20
  13. 2011/65/EU (ROHS) COMPLIANT
  14. ▲ DENOTES CRITICAL PARAMETER.
  - ▲ 15. SWITCH HAS TACTILE FEEDBACK WHEN ACTUATED.



LED SPECS	UNITS	PURE GREEN
FORWARD CURRENT	mA	20
FORWARD VOLTAGE @ 20mA	V	2.7-4.1
LUMINOUS INTENSITY @ 20mA	MCD	200-700

D	22987	Update LED to Pure Green	8/31/17	MW
C	21454	CHANGE CONTACT MATERIAL TO GOLD	5/13/14	EBP
B	19357	UPDATE HOUSING, COVER, PLUNGER	11/08/10	BMA
A	18361	RELEASE FOR PRODUCTION	12/22/08	BLR
REV	PCR NO	DESCRIPTION	DATE	BY

THE INFORMATION CONTAINED IN THIS DOCUMENT IS PROPRIETARY TO E-SWITCH AND IS NOT TO BE COPIED OR TRANSFERRED



TITLE LP110A1TBSGG				
SCALE	DATE	DR	DWG	REV
2:1	12/22/2008	BLR	B231008	D