

**SCHOTTKY BARRIER RECTIFIER**  
**VOLTAGE 100 Volts CURRENT 3.0 Ampere**

**FEATURES**

- \* Good for automation insertion
- \* Surge overload rating - 120 amperes peak
- \* Ideal for printed circuit board
- \* Reliable low cost construction utilizing molded
- \* Glass passivated device
- \* Polarity symbols molded on body
- \* Mounting position: Any
- \* Weight: 0.33 gram

**MECHANICAL DATA**

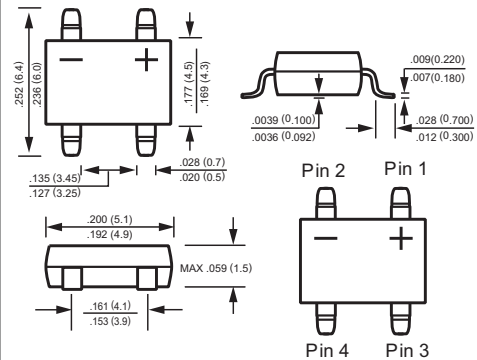
- \* Epoxy: Device has UL flammability classification 94V-O
- \* Halogen-free

**MAXIMUM RATINGS AND ELECTRICAL CHARACTERISTICS**

Ratings at 25 °C ambient temperature unless otherwise specified.  
resistive or inductive load.



**SLDBS**



Dimensions in inches and (millimeters)

MAXIMUM RATINGS (At  $T_A = 25^\circ\text{C}$  unless otherwise noted)

RATINGS	SYMBOL	KSLDB3100S	UNITS
Maximum Recurrent Peak Reverse Voltage	$V_{RRM}$	100	Volts
Maximum RMS Bridge Input Voltage	$V_{RMS}$	70	Volts
Maximum DC Blocking Voltage	$V_{DC}$	100	Volts
Maximum Average Forward Output Current at $T_A = 75^\circ\text{C}$	$I_O$	3.0	Amps
Peak Forward Surge Current 8.3 ms single half sine-wave superimposed on rated load (JEDEC method)	$I_{FSM}$	120	Amps
Typical Current Squared Time	$I^2t$	60	$\text{A}^2\text{S}$
Typical Thermal Resistance (Note 1)	$R_{\theta JA}$	50	$^\circ\text{C}/\text{W}$
	$R_{\theta JL}$	20	
Operating and Storage Temperature Range	$T_J, T_{STG}$	-55 to + 150	$^\circ\text{C}$

ELECTRICAL CHARACTERISTICS (At  $T_A = 25^\circ\text{C}$  unless otherwise noted)

CHARACTERISTICS	SYMBOL	KSLDB3100S	UNITS	
Maximum Forward Voltage Drop per Bridge Element at 3.0ADC	$V_F$	.79	Volts	
Maximum Reverse Current at Rated	$I_R$	@ $T_A = 25^\circ\text{C}$	2.0	$\mu\text{Amps}$
DC Blocking Voltage per element		@ $T_A = 150^\circ\text{C}$	0.2	$\text{mAmps}$

Note: 1. Thermal Resistance: Mounted on PCB.

2018-09  
REV:0

## RATING AND CHARACTERISTICS CURVES ( KSLDB3100S)

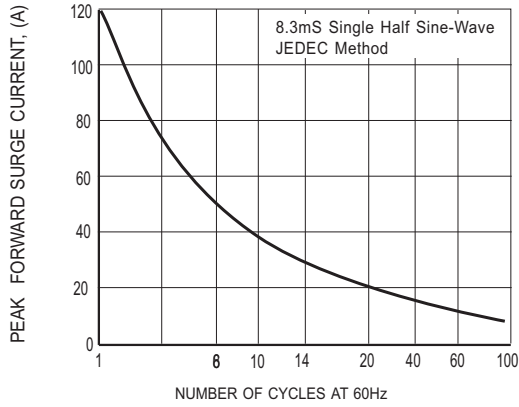


FIG. 1 - TYPICAL NON-REPETITIVE FORWARD SURGE CURRENT

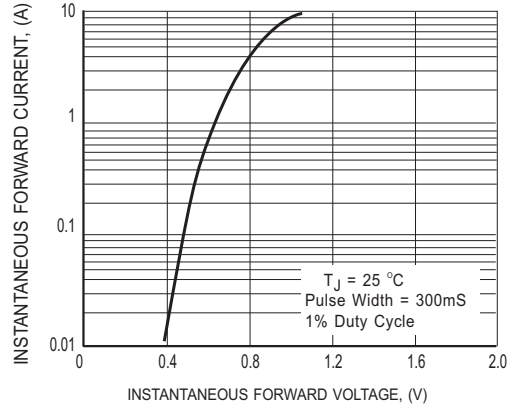


FIG. 2 MAXIMUM INSTANTANEOUS FORWARD CHARACTERISTICS

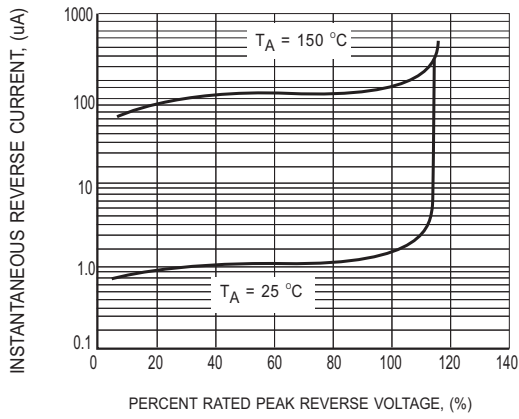


FIG. 3 MAXIMUM REVERSE CHARACTERISTICS

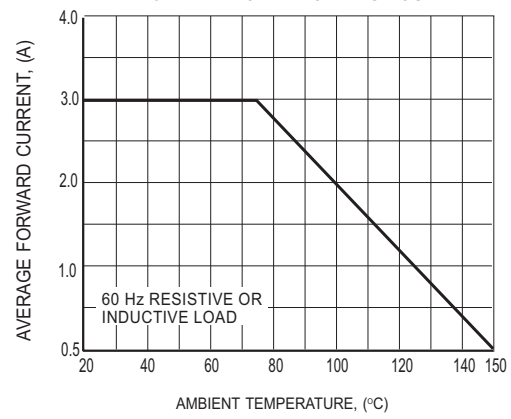
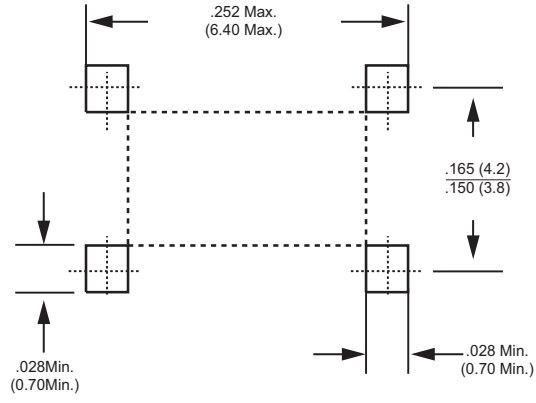


FIG. 4 TYPICAL FORWARD CURRENT DERATING CURVE

## Mounting Pad Layout



Dimensions in inches and (millimeters)

# REEL TAPING SPECIFICATIONS FOR SURFACE MOUNT DEVICES-SLDBS

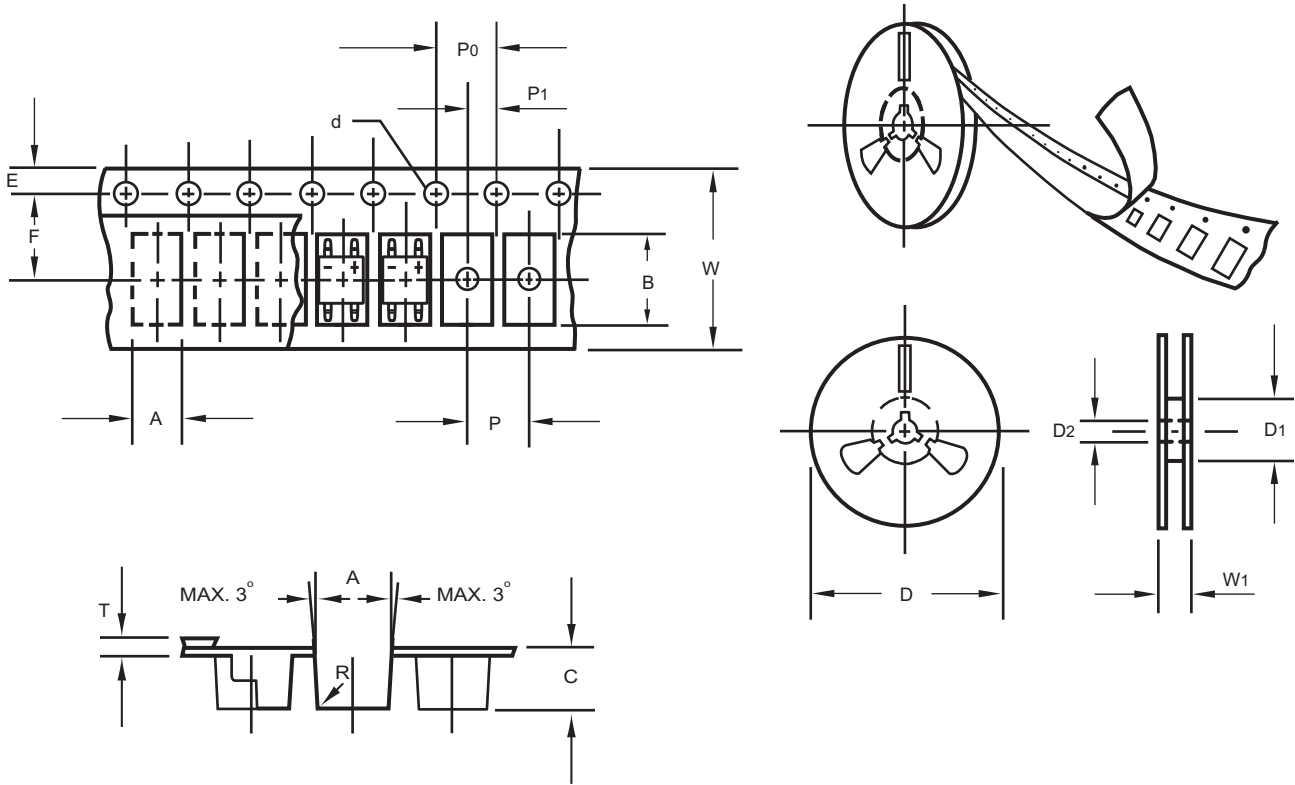
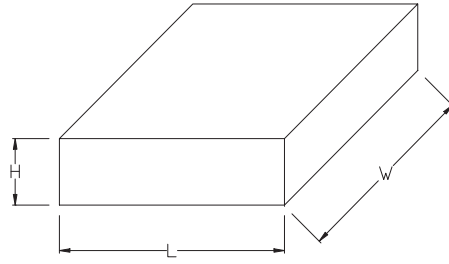


Fig.: Configuration of SLDBS TAPING

ITEM	SYMBOL	SLDBS mm(inch)
Carrier width	A	6.0 ± 0.1 (0.236 ± 0.004)
Carrier length	B	8.30 ± 0.1 (0.327 ± 0.004)
Carrier depth	C	2.5 ± 0.1 (0.098 ± 0.004)
Sprocket hole	d	1.5 ± 0.1 (0.059 ± 0.004)
Reel outside diameter	D	330 ± 2.0 (13.0 ± 0.079)
Reel inner diameter	D1	50 Min.
Feed hole diameter	D2	13 ± 0.5 (0.512 ± 0.020)
Stroket hole position	E	1.5 ± 0.1 (0.059 ± 0.004)
Punch hole position	F	7.65 ± 0.05 (0.301 ± 0.002)
Punch hole pitch	P	8.0 ± 0.1 (0.315 ± 0.004)
Sprocket hole pitch	P0	4.0 ± 0.1 (0.157 ± 0.004)
Embossment center	P1	4.0 ± 0.1 (0.157 ± 0.004)
Totall tape thickness	T	0.6 Max.
Tape width	W	16.0 ± 0.2 (0.630 ± 0.008)
Reel width	W1	24.0 ± 2.0 (0.945 ± 0.079)

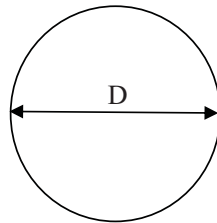
Note: 1.Devices are packed in accordance with EIA standard RS-481-A and specification given above.  
 2.13 inch ( 5000 ct. ) diameter reels.

1. BOX



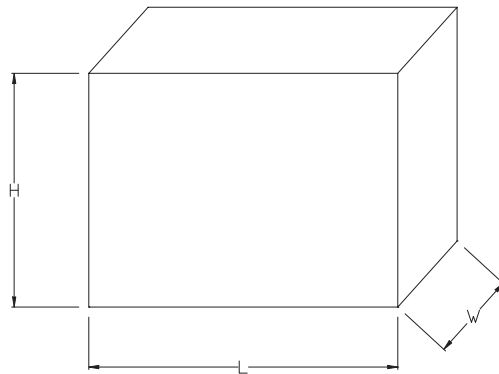
Packing Code	L (mm)	W (mm)	H (mm)
-T	340	340	40

2. REEL



Packing Code	D (mm)
-T	330

3. CARTON



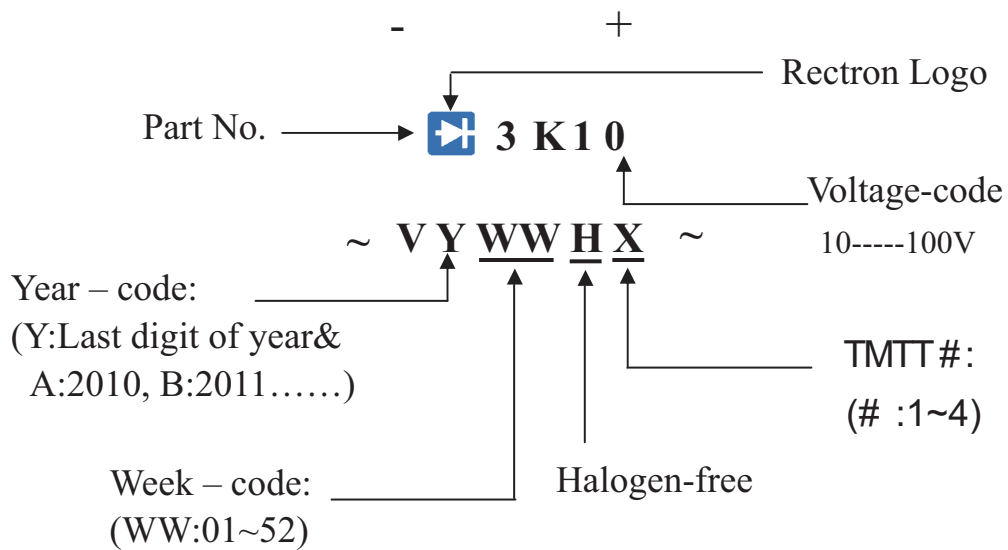
Packing Code	L (mm)	W (mm)	H (mm)
-T	355	360	360

## PACKAGING OF DIODE AND BRIDGE RECTIFIERS

### REEL PACK

PACKAGE	PACKING CODE	EA PER REEL	EA PER INNER BOX	COMPONENT SPACE (mm)	TAPE SPACE (mm)	REEL DIA (mm)	CARTON SIZE (mm)	EA PER CARTON	GROSS WEIGHT(Kg)
SLDBS	-T	5,000	10,000	---	---	330	360*355*360	80,000	16.18

## Marking Description



## DISCLAIMER NOTICE

Rectron Inc reserves the right to make changes without notice to any product specification herein, to make corrections, modifications, enhancements or other changes. Rectron Inc or anyone on its behalf assumes no responsibility or liability for any errors or inaccuracies. Data sheet specifications and its information contained are intended to provide a product description only. "Typical" parameters which may be included on RECTRON data sheets and/ or specifications can and do vary in different applications and actual performance may vary over time. Rectron Inc does not assume any liability arising out of the application or use of any product or circuit.

Rectron products are not designed, intended or authorized for use in medical, life-saving implant or other applications intended for life-sustaining or other related applications where a failure or malfunction of component or circuitry may directly or indirectly cause injury or threaten a life without expressed written approval of Rectron Inc. Customers using or selling Rectron components for use in such applications do so at their own risk and shall agree to fully indemnify Rectron Inc and its subsidiaries harmless against all claims, damages and expenditures.