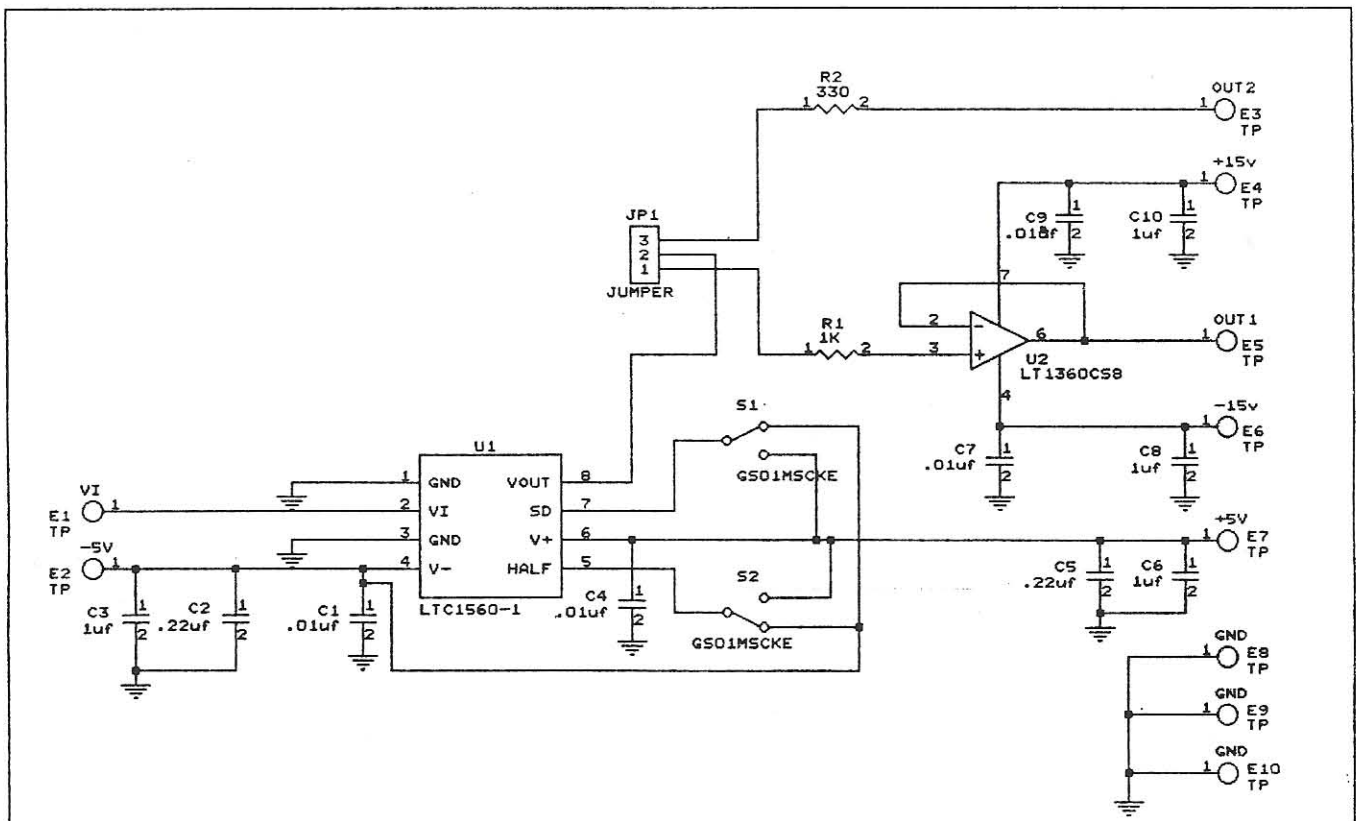


S2 to -5V $f_c = 1MHz$
S2 to 5V $f_c = 500kHz$

S1 to -5 for Power On
S1 to +5 for Shutdown



LINEAR TECHNOLOGY CORP.
1630 McCARTHY BLVD.
MILPITAS, CA, 95035
PHONE (408)954-8400 FAX (408)434-0507

Title HIGH - FREQUENCY FILTER

Size Document Number REV

A DEMO 135A LTC1560/1 A

Date: July 10, 1996 Sheet 1 of 1