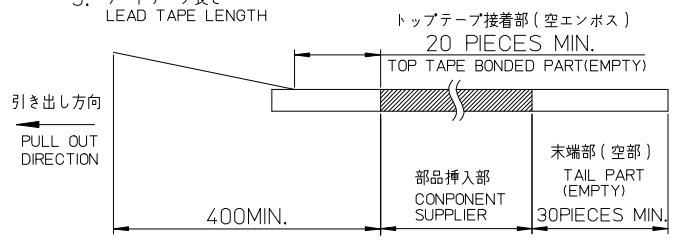


NOTES

- 製品詳細寸法は製品単体図面を参照して下さい。
FOR DETAIL OF CONNECTOR DIMENSIONS,
PLEASE SEE THE DRAWING OF CONNECTOR ITSELF (NOT PACKAGED).
- 梱包数量 : 700個
NUMBER OF CONNECTORS : 700 PIECES/REEL.
- リードテープ長さ
LEAD TAPE LENGTH



- 材料 MATERIAL
キャリアテープ: ポリスチレン (PS)
CARRIER TAPE : POLYSTYRENE (PS)
トップテープ: ポリエステル (PET)、その他
TOP TAPE : POLYESTER (PET)、OTHER
リール: ポリスチレン (PS) <リサイクル材を含む>
REEL : POLYSTYRENE (PS) <RECYCLE MATERIAL CONTAINED>
- トップテープの剥離強度については、IEC60286-3に準拠
TOP TAPE PEEL FORCE IS DEFINED BY IEC60286-3.

| | | | | | HSG COLOR GREEN | HSG COLOR BLUE | HSG COLOR RED | HSG COLOR BLACK | HSG COLOR NATURAL (BEIGE) | |
|------|------|------|---------------------------|----------------------------------|----------------------------------|----------------------------------|----------------------------------|----------------------------------|----------------------------------|-----------------|
| 49.4 | 45.4 | 20.2 | 44 | 5041894076 | 5041894074 | 5041894072 | 5041894071 | 5041894070 | 40 | |
| 49.4 | 45.4 | 20.2 | 44 | 5041893876 | 5041893874 | 5041893872 | 5041893871 | 5041893870 | 38 | |
| 49.4 | 45.4 | 20.2 | 44 | 5041893676 | 5041893674 | 5041893672 | 5041893671 | 5041893670 | 36 | |
| 49.4 | 45.4 | 20.2 | 44 | 5041893476 | 5041893474 | 5041893472 | 5041893471 | 5041893470 | 34 | |
| 49.4 | 45.4 | 20.2 | 44 | 5041893276 | 5041893274 | 5041893272 | 5041893271 | 5041893270 | 32 | |
| 49.4 | 45.4 | 20.2 | 44 | 5041893076 | 5041893074 | 5041893072 | 5041893071 | 5041893070 | 30 | |
| 37.4 | 33.4 | 14.2 | 32 | 5041892876 | 5041892874 | 5041892872 | 5041892871 | 5041892870 | 28 | |
| 37.4 | 33.4 | 14.2 | 32 | 5041892676 | 5041892674 | 5041892672 | 5041892671 | 5041892670 | 26 | |
| 37.4 | 33.4 | 14.2 | 32 | 5041892476 | 5041892474 | 5041892472 | 5041892471 | 5041892470 | 24 | |
| 37.4 | 33.4 | 14.2 | 32 | 5041892276 | 5041892274 | 5041892272 | 5041892271 | 5041892270 | 22 | |
| 37.4 | 33.4 | 14.2 | 32 | 5041892076 | 5041892074 | 5041892072 | 5041892071 | 5041892070 | 20 | |
| 29.4 | 25.4 | 11.5 | 24 | 5041891876 | 5041891874 | 5041891872 | 5041891871 | 5041891870 | 18 | |
| 29.4 | 25.4 | 11.5 | 24 | 5041891676 | 5041891674 | 5041891672 | 5041891671 | 5041891670 | 16 | |
| D | C | B | エンボステープ幅 WIDTH OF TAPE | エンボス梱包 EMBOSS TAPE PACKAGE | エンボス梱包 EMBOSS TAPE PACKAGE | エンボス梱包 EMBOSS TAPE PACKAGE | エンボス梱包 EMBOSS TAPE PACKAGE | エンボス梱包 EMBOSS TAPE PACKAGE | エンボス梱包 EMBOSS TAPE PACKAGE | 極数 (KT. NO.) |
| | | A | | オーダー番号 ORDER NO. | オーダー番号 ORDER NO. | オーダー番号 ORDER NO. | オーダー番号 ORDER NO. | オーダー番号 ORDER NO. | オーダー番号 ORDER NO. | |

| | | | | | | | | | | |
|---|----------------------|---------------------------------------|--|----------------------------|--------------------|---|------------------------|---------------------------|--|---------------------|
| RELEASED EC NO: J2014-0152 DRWNSAT002 2013/07/25 CHKDKASAKAWA 2013/07/30 APPR:NUKITA 2013/08/08 | DESCRIPTION REV O | GENERAL TOLERANCES (UNLESS SPECIFIED) | | DIMENSION STYLE MM ONLY | | SCALE 2:1 | DESIGN UNITS METRIC | THIRD ANGLE PROJECTION | | |
| | | 10 UNDER | ±0.2 | DRAWN BY SSAT002 | DATE 2013/07/25 | TITLE EMBOSSED PACKAGE FOR 1.25 WTB DUAL RA SMT | | | | |
| | | 10 OVER 30 UNDER | ±0.25 | CHECKED BY KASAKAWA | DATE 2013/07/30 | | | | | |
| | | 30 OVER | ±0.3 | APPROVED BY NUKITA | DATE 2013/08/08 | | | | | |
| | | ANGULAR | ±1 ° | MATERIAL NO. | DOCUMENT NO. | SEE TABLE | | SD-504189-001 | | SHEET NO. 1 OF 1 |
| DRAFT WHERE APPLICABLE MUST REMAIN WITHIN DIMENSIONS | | SIZE A3 | THIS DRAWING CONTAINS INFORMATION THAT IS PROPRIETARY TO MOLEX INCORPORATED AND SHOULD NOT BE USED WITHOUT WRITTEN PERMISSION | | | | | | | |

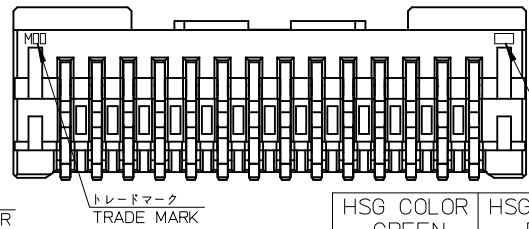
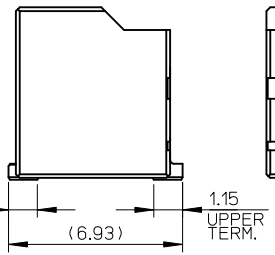
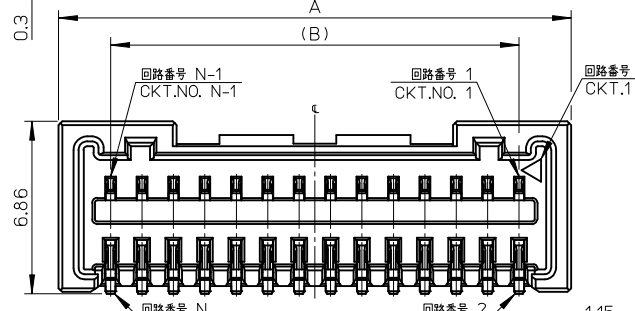
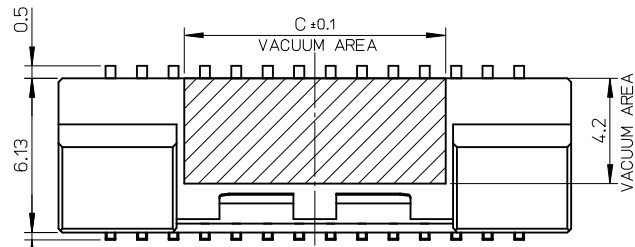
ELV AND RoHS COMPLIANT

NOTES

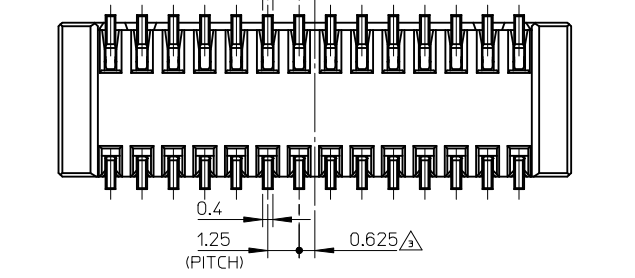
1. 嵌合相手: 504186-**0*
MATE WITH: 504186-**0*
2. 端子テール部の平坦度: 0.1MAX.
TAIL COPLANARITY TO BE 0.1 MAX.
3. 極数/2=偶数に適用。
APPLY FOR CKT. SIZE / 2 = EVEN.
4. 端子部に錫めっきを使用しているため、
外觀に摺動痕が付く場合が御座います。
THE WOUND OF FRICTION MIGHT ADHERE TO EXTERNALS
BECAUSE THE TIN PLATING IS USED FOR THE TERMINAL.
5. 本製品のプラスチック部に黒点等が確認される場合や
色合いが異なる場合がありますが、製品性能に影響はありません。
THERE IS NO INFLUENCE IN THE PRODUCT PERFORMANCE THOUGH
THE BLACK SPOT ETC. MIGHT BE CONFIRMED TO THE PLASTIC PART
OF THIS PRODUCT AND THE SHADE MIGHT BE DIFFERENT.
6. アプリケーション仕様書 (コネクタ取扱説明書) : AS-504186-001/-002
APPLICATION SPECIFICATIONS (CONNECTOR MANUAL): AS-504186-001/-002
7. 製品仕様書: PS-504186-001
Product specification: PS-504186-001

8. 製品番号 MATERIAL No.
504189**7*
極数 ↑ 色 ↑
CIRCUIT SIZE COLOR

| NO. | COLOR |
|-----|---------|
| 0 | NATURAL |
| 1 | BLACK |
| 2 | RED |
| 4 | BLUE |
| 6 | GREEN |



| | HSG COLOR GREEN | HSG COLOR BLUE | HSG COLOR RED | HSG COLOR BLACK | HSG COLOR NATURAL(BEIGE) | | | | |
|------|-----------------|----------------|---|---|---|---|---|---|----------------|
| 14.9 | 23.75 | 27.9 | 5041894076 | 5041894074 | 5041894072 | 5041894071 | 5041894070 | 40 | |
| 14.9 | 22.5 | 26.65 | 5041893876 | 5041893874 | 5041893872 | 5041893871 | 5041893870 | 38 | |
| 14.9 | 21.25 | 25.4 | 5041893676 | 5041893674 | 5041893672 | 5041893671 | 5041893670 | 36 | |
| 10.4 | 20 | 24.15 | 5041893476 | 5041893474 | 5041893472 | 5041893471 | 5041893470 | 34 | |
| 10.4 | 18.75 | 22.9 | 5041893276 | 5041893274 | 5041893272 | 5041893271 | 5041893270 | 32 | |
| 10.4 | 17.5 | 21.65 | 5041893076 | 5041893074 | 5041893072 | 5041893071 | 5041893070 | 30 | |
| 10.4 | 16.25 | 20.4 | 5041892876 | 5041892874 | 5041892872 | 5041892871 | 5041892870 | 28 | |
| 8.9 | 15 | 19.15 | 5041892676 | 5041892674 | 5041892672 | 5041892671 | 5041892670 | 26 | |
| 8.9 | 13.75 | 17.9 | 5041892476 | 5041892474 | 5041892472 | 5041892471 | 5041892470 | 24 | |
| 8.9 | 12.5 | 16.65 | 5041892276 | 5041892274 | 5041892272 | 5041892271 | 5041892270 | 22 | |
| 8.9 | 11.25 | 15.4 | 5041892076 | 5041892074 | 5041892072 | 5041892071 | 5041892070 | 20 | |
| 8.9 | 10 | 14.15 | 5041891876 | 5041891874 | 5041891872 | 5041891871 | 5041891870 | 18 | |
| 7.65 | 8.75 | 12.9 | 5041891676 | 5041891674 | 5041891672 | 5041891671 | 5041891670 | 16 | |
| C | B | A | エンボス梱包 EMBOSSED TAPE PACKAGE オーダー番号 ORDER NO. | エンボス梱包 EMBOSSED TAPE PACKAGE オーダー番号 ORDER NO. | エンボス梱包 EMBOSSED TAPE PACKAGE オーダー番号 ORDER NO. | エンボス梱包 EMBOSSED TAPE PACKAGE オーダー番号 ORDER NO. | エンボス梱包 EMBOSSED TAPE PACKAGE オーダー番号 ORDER NO. | エンボス梱包 EMBOSSED TAPE PACKAGE オーダー番号 ORDER NO. | 極数 CKT. NO. |



| 部品 PART | 材質 MATERIAL |
|---------------------|--|
| ハウジング HOUSING | ポリアミド(PA)、ガラス充填、UL94V-0、色:表参照 POLYAMIDE (PA), GLASS FILLED, UL94 V-0, COLOR: SEE TABLE |
| 上段端子 UPPER TERM. | 黄銅 BRASS |
| | 錫めっき: 1.0 micro-meter MIN. TIN ニッケルめっき(下地): 1.0 micro-meter MIN. NICKEL (UNDER PLATING) |
| 下段端子 LOWER TERM. | 黄銅 BRASS |
| | 錫めっき: 1.0 micro-meter MIN. TIN ニッケルめっき(下地): 1.0 micro-meter MIN. NICKEL (UNDER PLATING) |

RELEASED
EC NO: J2014-0152
DRMNSSAT002 2013/07/25
CHKD:KASAKAWA 2013/07/30
APPR:NUKITA 2013/08/08

GENERAL TOLERANCES
(UNLESS SPECIFIED)

| | |
|------------------|-------|
| 10 UNDER | ±0.2 |
| 10 OVER 30 UNDER | ±0.25 |
| 30 OVER | ±0.3 |

ANGULAR ±1°
DRAFT WHERE APPLICABLE
MUST REMAIN
WITHIN DIMENSIONS

DIMENSION STYLE
MM ONLY

DRAWN BY SSAT002
DATE 2013/07/25

CHECKED BY KASAKAWA
DATE 2013/07/30

APPROVED BY NUKITA
DATE 2013/08/08

MATERIAL NO.
SEE TABLE

SIZE A3

SCALE 5:1
DESIGN UNITS METRIC
THIRD ANGLE PROJECTION

TITLE
1.25 WTB DUAL RA SMT
PLUG ASS'Y

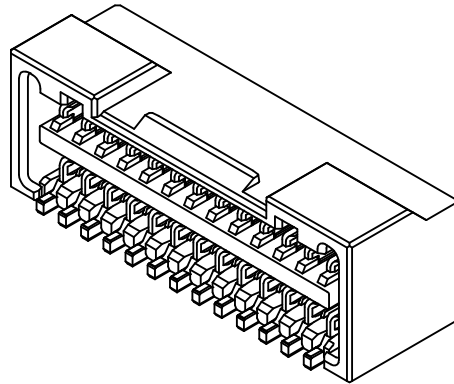
molex

MATERIAL NO. SEE TABLE
DOCUMENT NO. SD-504189-002

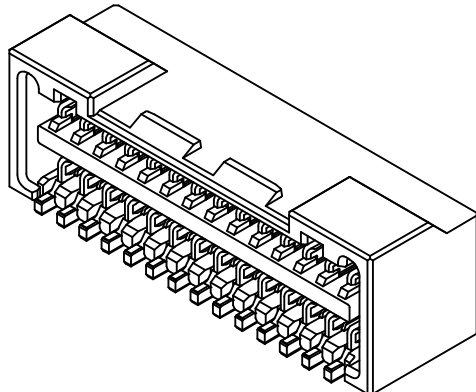
SHEET NO. 1 OF 2

THIS DRAWING CONTAINS INFORMATION THAT IS PROPRIETARY TO MOLEX
INCORPORATED AND SHOULD NOT BE USED WITHOUT WRITTEN PERMISSION

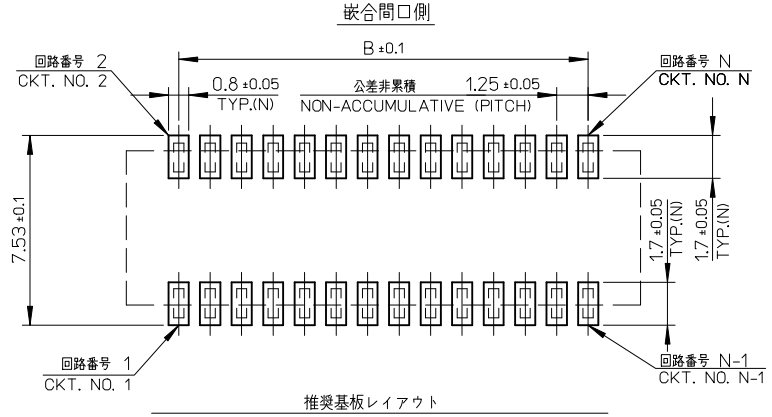
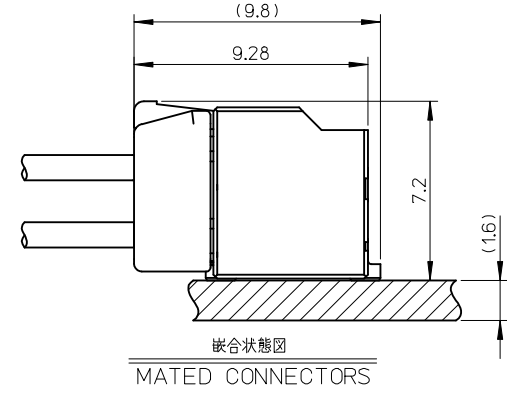
ELV AND RoHS COMPLIANT



16-26 CKT.係止形状



28-40 CKT.係止形状



RECOMMENDED P.C.B. PATTERN LAYOUT
(参考:メタルマスク厚さ:150μm, マスク開口率100%)
(REFERENCE:MATAL MASK THICKNESS:150μm, APERTURE RASIO:100%)

| | | | | | | |
|---|--|--------------|---|--------------|---------------------------------|------------------------|
| RELEASED EC NO: J2014-0152 DRWN:SSATO02 2013/07/25 CHKD:KASAKAWA 2013/07/30 APPR:NUKITA 2013/08/08 O | GENERAL TOLERANCES (UNLESS SPECIFIED) | | DIMENSION STYLE | SCALE | DESIGN UNITS | THIRD ANGLE PROJECTION |
| | | | MM ONLY | 5:1 | METRIC | |
| | 10 UNDER | ±0.2 | DRAWN BY | DATE | TITLE | |
| | 10 OVER 30 UNDER | ±0.25 | SSAT002 | 2013/07/25 | 1.25 WTB DUAL RA SMT PLUG ASS'Y | |
| | 30 OVER | ±0.3 | CHECKED BY | DATE | | |
| | ANGULAR ±1 ° | KASAKAWA | 2013/07/30 | | | |
| | DRAFT WHERE APPLICABLE MUST REMAIN WITHIN DIMENSIONS | APPROVED BY | DATE | | | |
| | | NUKITA | 2013/08/08 | | | |
| | | MATERIAL NO. | SEE SHEET 1 | DOCUMENT NO. | SD-504189-002 | SHEET NO. 2 OF 2 |
| | | SIZE | THIS DRAWING CONTAINS INFORMATION THAT IS PROPRIETARY TO MOLEX INCORPORATED AND SHOULD NOT BE USED WITHOUT WRITTEN PERMISSION | | | |