

Customer Information Sheet

DRAWING No.: M80-614XXXX

SHEET 2 OF 2

IF IN DOUBT - ASK

©

NOT TO SCALE

THIRD ANGLE PROJECTION

ALL DIMENSIONS IN mm

SPECIFICATION

MATERIALS:

MOULDING = HIGH-TEMP. POLYAMIDE 46 UL94V-0

CLIP = BERYLLIUM COPPER

BODY = BRASS

FINISH:

01 = 3.5µ 90/10 TIN/LEAD BODY, 0.3µ GOLD CLIP

42 = 3.5/5.0µ 100% TIN BODY, 0.3µ GOLD CLIP

45 = 0.25/0.3µ GOLD BODY, 0.3µ GOLD CLIP

ELECTRICAL:

CURRENT RATING AT 25°C = 3.0A MAX

CURRENT RATING AT 85°C = 2.2A MAX

WORKING VOLTAGE = 120V AC/DC

VOLTAGE PROOF = 360V AC/DC

CONTACT RESISTANCE:

INITIAL = 20mΩ MAX

AFTER CONDITIONING = 25mΩ MAX

INSULATION RESISTANCE:

INITIAL = 1000MΩ MIN

AFTER CONDITIONING = 100MΩ MIN

MECHANICAL:

DURABILITY = 500 OPERATIONS

INSERTION FORCE = 2.8N MAX, 1.0N MIN

WITHDRAWAL FORCE = 1.8N MAX, 0.2N MIN

ENVIRONMENTAL:

TEMPERATURE RANGE = -55°C TO +125°C

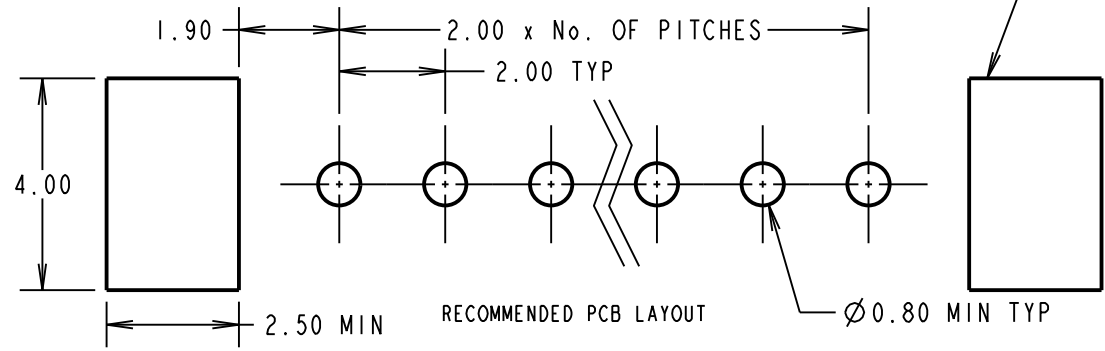
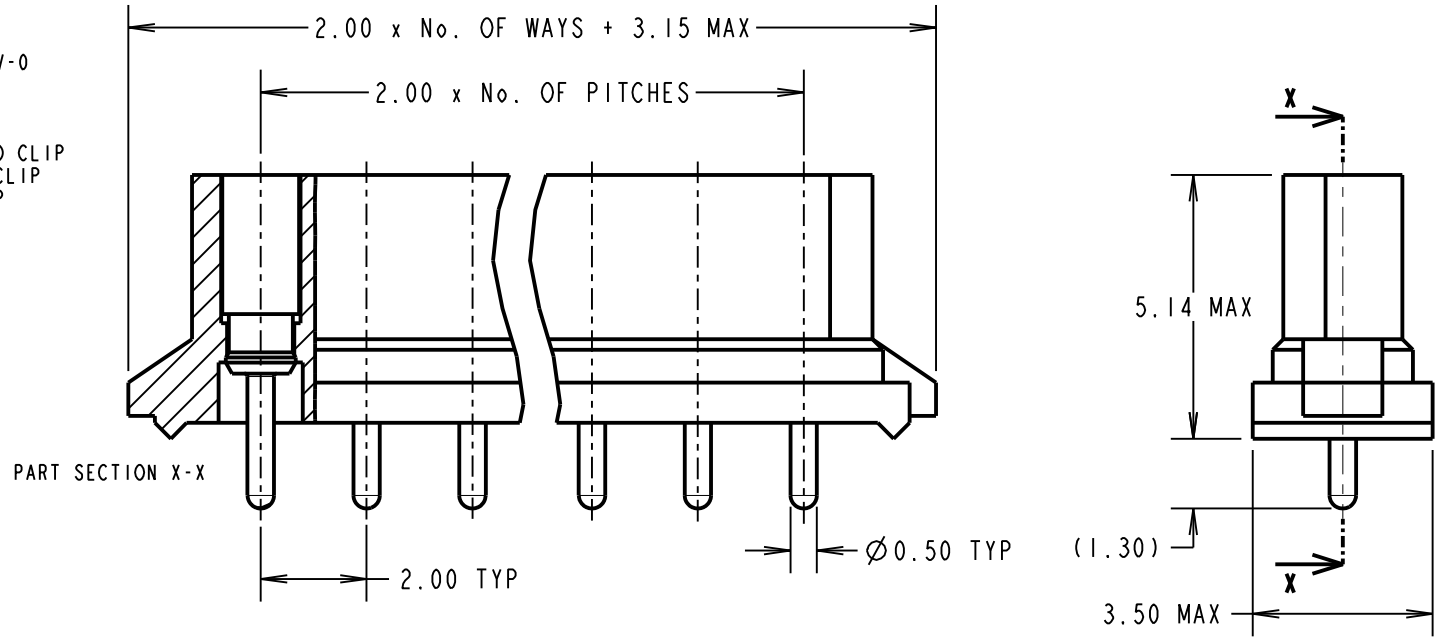
PACKING:

TUBE

FOR COMPLETE SPECIFICATION SEE

COMPONENT SPECIFICATION C005XX

(LATEST ISSUE)



(OPTIONAL) HOLES REQUIRED FOR USE WITH LATCHED MALE CONNECTORS

ORDER CODE:
M80-614XXXX

No. OF WAYS _____
02-07, 17

FINISH _____
01 = GOLD CLIP, TIN/LEAD SHELL
42 = 100% TIN SHELL, GOLD CLIP
45 = GOLD SHELL, GOLD CLIP

SB	6	28.06.11	11350
NAME	ISS.	DATE	C/NOTE
APPROVED:		S. BENNETT	
CHECKED:		S. FLOWER	
DRAWN:		W. J. BOURNE	
CUSTOMER REF.:			
ASSEMBLY DRG:			



HARWIN USA TEL: 603 893 5376 FAX: 603 893 5396 mis@harwin.com	HARWIN Europe (UK) TEL: 023 9231 4545 FAX: 023 9231 4590 mis@harwin.co.uk	HARWIN Asia TEL: +65 6 779 4909 FAX: +65 6 779 3868 mis@harwin.com.sg
--	--	--

THIS DRAWING AND ANY INFORMATION OR DESCRIPTIVE MATTER SET OUT HEREON ARE CONFIDENTIAL AND COPYRIGHT PROPERTY OF THE HARWIN GROUP AND MUST NOT BE DISCLOSED, LOANED, COPIED OR USED FOR MANUFACTURING, TENDERING OR FOR ANY OTHER PURPOSE WITHOUT THEIR WRITTEN PERMISSION.

TOLERANCES
X. = ±1mm
X.X = ±0.25mm
X.XX = ±0.10mm
X.XXX = ±0.01mm
ANGLES = ±5°
UNLESS STATED

MATERIAL: SEE ABOVE
FINISH: SEE ABOVE
S/AREA: mm²

TITLE: DATAMATE SIL FEMALE PC TAIL ASSEMBLY
DRAWING NUMBER: M80-614XXXX
SHT 2 OF 2