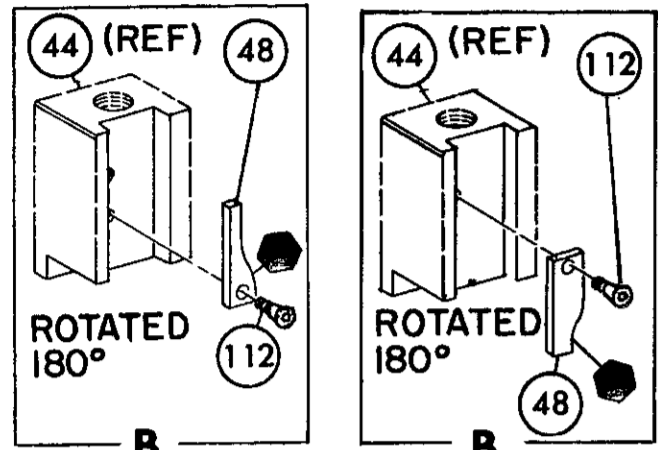
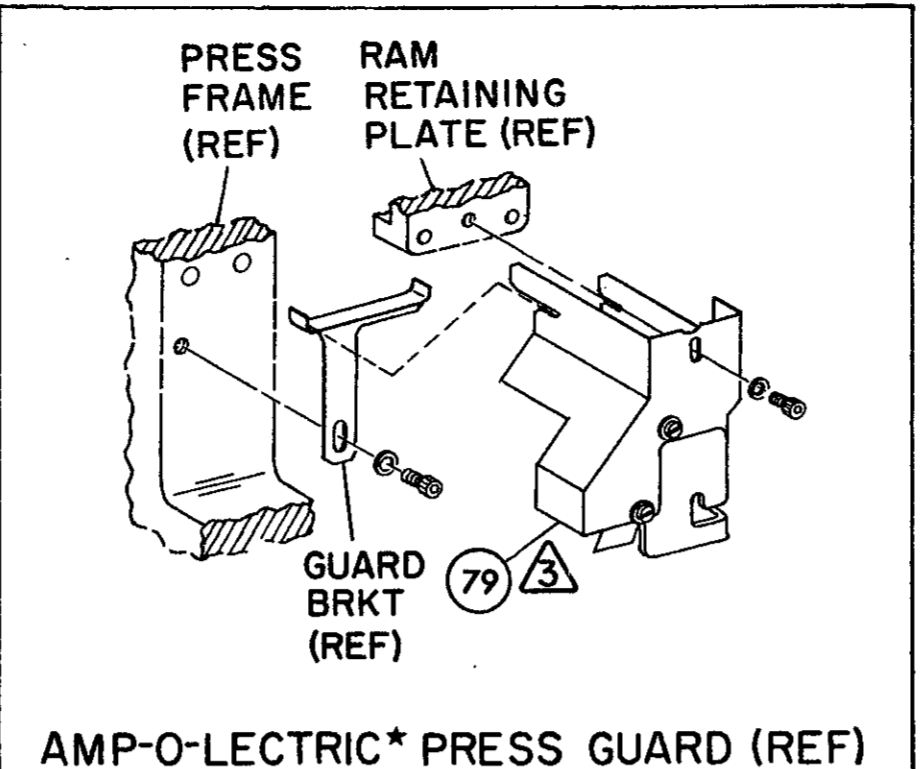


PRE-FEED 1 1/8" STROKE
POST-FEED 1 5/8" STROKE



- NOTES:
- ONLY THE ITEMS WITH QUANTITIES SPECIFIED ON PARTS LIST ARE USED ON THIS APPLICATOR.
 - USED IN PLACE OF ITEM 38 WHEN INSULATION CRIMP IS NOT USED.
 - GUARD MUST BE IN PLACE WHEN OPERATING APPLICATOR IN AMP-O-LECTRIC PRESS.
 - ITEMS WITH QTY IN REF SPECIFIED (EXCEPT ITEM 74) ARE USED ON ITEM 46
- KEY:
- RECOMMENDED SPARE PARTS
 - LUBRICATE DAILY USING NO. 20 MACHINE OIL.
 - GREASE LIGHTLY



REF	QTY	PART NO.	DESCRIPTION	ITEM NO.
REF		21045-3	RING, RETAINING 'C' (.187 DIA) FEED FINGER PIN	145
REF		5-21028-1	PIN, SLOT SPR (.125 DIA X .50) ADJ ROD	144
1		4-21028-0	PIN, SLOT SPR (.093 DIA X .75) STR G PLATE	143
REF		1-21030-1	PIN, DOWEL (.187 DIA X .50) LEVER	142
REF		1-21030-6	PIN, DOWEL (.187 DIA X 1.25) HOUSING	141
1		21024-5	WASHER, LOCK (NO 10) LUB ASSY	140
1		21024-5	WASHER, LOCK (NO 10) STRIP GUIDE ADJ BLOCK	139
REF		21024-5	WASHER, LOCK (NO 10) ADJ PLATE	138
REF		21024-5	WASHER, LOCK (NO 10) FEED GUIDE ROD	137
3		21057-2	WASHER, LOCK (NO 4) FRONT STRIP GUIDE	136
1		21024-4	WASHER, LOCK (NO 8) FEED FINGER	135
Z		21024-4	WASHER, LOCK (NO 8) DEPRESSOR	134
1		21024-4	WASHER, LOCK (NO 8) STRIPPER	133
REF		21899-4	WASHER, FLAT (5/16 DIA) SCREW ADJ	132
1		21899-2	WASHER, FLAT (NO 10) LUB ASSY	131
1		21068-5	NUT, HEX MACH (6-32) HOLDDOWN	130
REF		21068-5	NUT, HEX MACH (6-32) FEED ADJ	129
				128
				127
		22353-8	SCR, SHLD. (.187 DIA X .250 LG) DRAG LEVER	126
1		456567-1	SCR, SHLD. (.188 DIA X .125 LG) STRIPPER	125
1		21009-2	SCR, SKT SET (1/4-20 X .25) (LOC-WEL) RAM	124
REF		3-21064-2	SCR, RD HD MACH (6-32 X 1.50) FEED ADJ	123
2		2-21002-9	SCR, BUT HD SKT CAP (10-32 X .75) DRAG	122
1		22733-8	SCR, BUT HD SKT CAP (8-32 X .38) (LOC-WEL) ANVIL	121
REF		2-21002-9	SCR, BUT HD SKT CAP (10-32 X .75) CAP	120
REF		1-24073-9	SCR, BUT HD SKT CAP (1/4-20 X .75) HOUSING	119
REF		2-21002-7	SCR, BUT HD SKT CAP (10-32 X .50) SG ADJ BLOCK	118
4		2-21002-2	SCR, BUT HD SKT CAP (8-32 X .50) SHEAR	117
2		Z-21002-2	SCR, BUT HD SKT CAP (8-32 X .50) R STRIP GUIDE	116
1		2-21003-0	SCR, FLAT HD SKT CAP (6-32 X .50) CAM	115
1		3-21000-4	SCR, SKT HD CAP (10-32 X .38) LUBRICATOR ASSY	114
Z		23030-1	SCR, SKT HD CAP (6-32 X .25) (LOC-WEL) CP DISC	113
			SCR, SKT HD CAP (6-32 X .25) REAR SHEAR PLATE	112
Z		Z-21000-7	SCR, SKT HD CAP (8-32 X .50) DEPRESSOR	111
1		2-22603-0	SCR, HEX HD MACH (8-32 X .31) FEED FINGER	110
3		1-21000-3	SCR, SKT HD CAP (4-40 X .25) F STRIP GUIDE	109
1		2-21000-7	SCR, SKT HD CAP (8-32 X .50) STRIPPER	108
REF		3-21000-7	SCR, SKT HD CAP (10-32 X .75) FEED ROD GUIDE	107
REF		3-21000-6	SCR, SKT HD CAP (10-32 X .62) FEED ADJ BLOCK	106
1		3-21000-4	SCR, SKT HD CAP (10-32 X .38) SG ADJ BLOCK	105
REF		3-21000-4	SCR, SKT HD CAP (10-32 X .38) PIVOT BLOCK	104
REF		455749-1	GUARD WINDOW	103
REF		1-465184-0	LUBRICATOR ASSY	102
REF		852931-2	OIL, LUBRICATING	101
				79
				78
				77
				76
				75
REF		458109-1	WASHER, SPECIAL	74
1		454877-3	PLATE, STRIP GUIDE COVER	73
Z		690603-1	SPRING, ASSIST	72
REF		690517-1	SPACER	71
				70
				69
				68
				67
				66
				65
				64
				63
				62
				61
REF		454398-2	ROLLER, CAM	60
REF		454178-1	GUIDE, FEED ROD	59
				58
				57
				56
				55
				54
				53
				52
				51
				50
				49
				48
				47
				46
				45
				44
				43
				42
				41
				40
				39
				38
				37
				36
				35
				34
				33
				32
				31
				30
				29
				28
				27
				26
				25
				24
				23
				22
				21
				20
				19
				18
				17
				16
				15
				14
				13
				12
				11
				10
				9
				8
				7
				6
				5
				4
				3
				2
				1

CRIMPING DATA				APPLICATOR WILL APPLY	
PAD LTR	CRIMP HEIGHT	WIRE SIZE	STRIP LENGTH	PIN	SOCKET
A	.035	20		66735	
B	.032	22			
C	.028	24			
D	NOT USED				

CRIMP	SIZE	TYPE	FEED	APPL INST
WIRE	.055	F	.350	A1 8040
INSUL	.062	O		
WIRE RANGE	24-20	INSULATION RANGE	.036-.054	PRESS NO 565435-5
REMARKS: PRE-FEED AMP-O-LECTRIC				
ID PLATE (REF) 461264-1				

REMARKS	NO	REV
TO APPLY TERMINAL		
APPL USED ON MACHINE PART NO	MACH SERIAL NO	DISTRIBUTION
CUSTOMER NAME	APPL SERIAL NO	ORIGINAL
ADDRESS	PURCHASE ORDER	CUSTOMER COPY
CITY	ENG APP	FIELD ENG COPY

SET UP GAGE	10-1	458637-1	933
DR	11-14-90	APP	
CHK	0150-6905-05	REL	4/95
ECN	0150-6101-95	REL	4/95
ECN	A-350492	REL	11/95
SUPER	0150-507144-2	REL	11/95
LOC	A	D	NO 567392-2
NAME: MINIATURE QUICK CHANGE APPLICATOR			
SIDE FEED (PIN & SOCKET CONTACT)			

THIS DRAWING IS A CONTROLLED DOCUMENT FOR AMP INC. IT IS SUBJECT TO CHANGE WITHOUT NOTICE. CONTACT THE LATEST REVISION.

THIS INFORMATION IS CONFIDENTIAL AND IS DISCLOSED TO ANY PERSONNEL WITHOUT WRITTEN AUTHORIZATION FROM AMP INCORPORATED, HARRISBURG, PA.