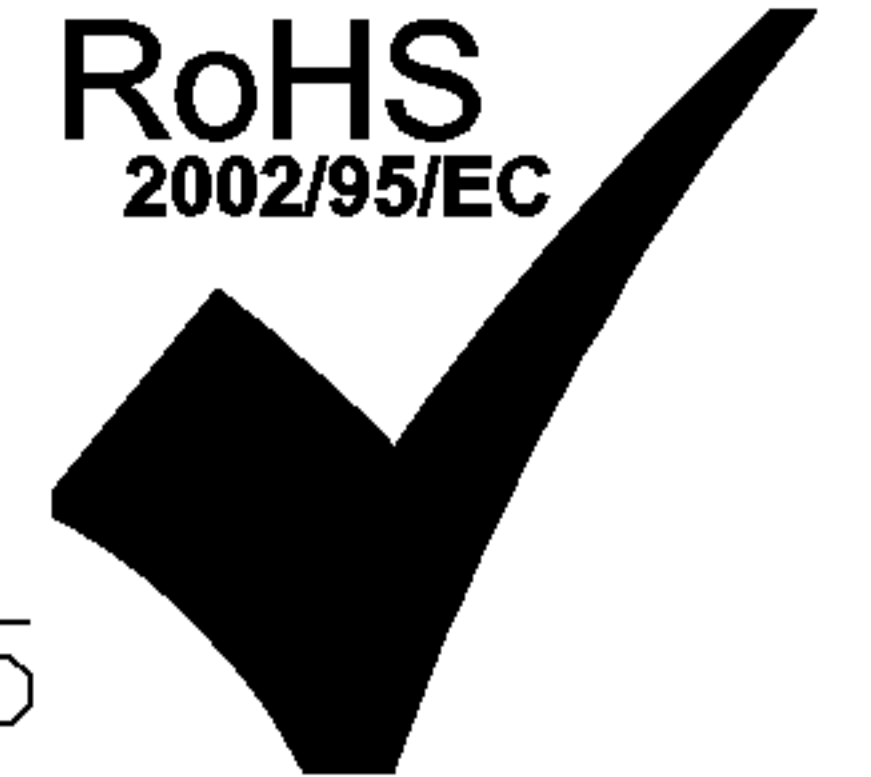


THE INFORMATION CONTAINED HEREIN IS CONSIDERED "PROPRIETARY" TO BEL FUSE INC. AND SHALL NOT BE COPIED, REPRODUCED OR DISCLOSED WITHOUT THE WRITTEN APPROVAL OF BEL FUSE INC.

RoHS
2002/95/EC



ELECTRICAL CHARACTERISTICS @ 25°C

URNS RATIO

TP1	1CT : 1CT ±2%
TP2	1CT : 1CT ±2%
TP3	1CT : 1CT ±2%
TP4	1CT : 1CT ±2%

QCL @ 100kHz/100mVRMS 350µH MIN.
8mA DC BIAS (0°C - 70°C)

INS. LOSS

0.1MHz TO 1MHz	-1.1 dB MAX
1MHz TO 65MHz	-0.5 dB MAX
65MHz TO 100MHz	-0.8 dB MAX
100MHz TO 125MHz	-1.2 dB MAX

RET. LOSS (MIN) @ 100ΩHMS ±15%

0.5MHz-40MHz	-18 dB
40MHz-100MHz	-12+20LOG(f/80MHz) dB

CM TO CM REJ

100kHz - 100MHz -30 dB MIN

CM TO DM REJ

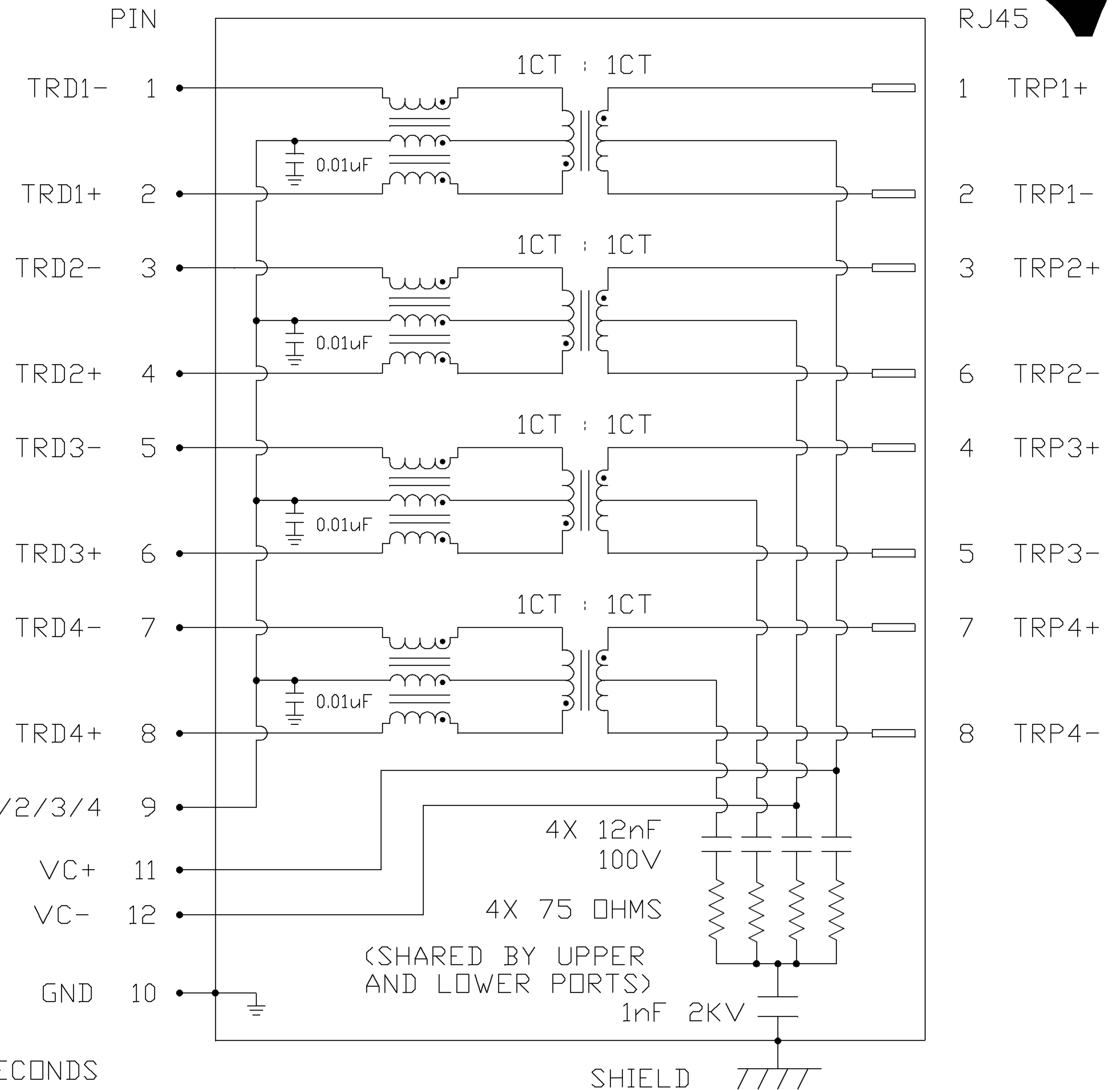
100kHz - 100MHz -35 dB MIN

HIPOT (Isolation Voltage): 2250 VDC

100% OF PRODUCTION TESTED TO COMPLY WITH IEEE 802.3 ISOLATION REQUIREMENTS.

BALANCED DC LINE CURRENT 350 mA MAX.
@ 57 VDC CONTINUOUS
500 mA MAX.
@ 57 VDC for 200 MILLISECONDS

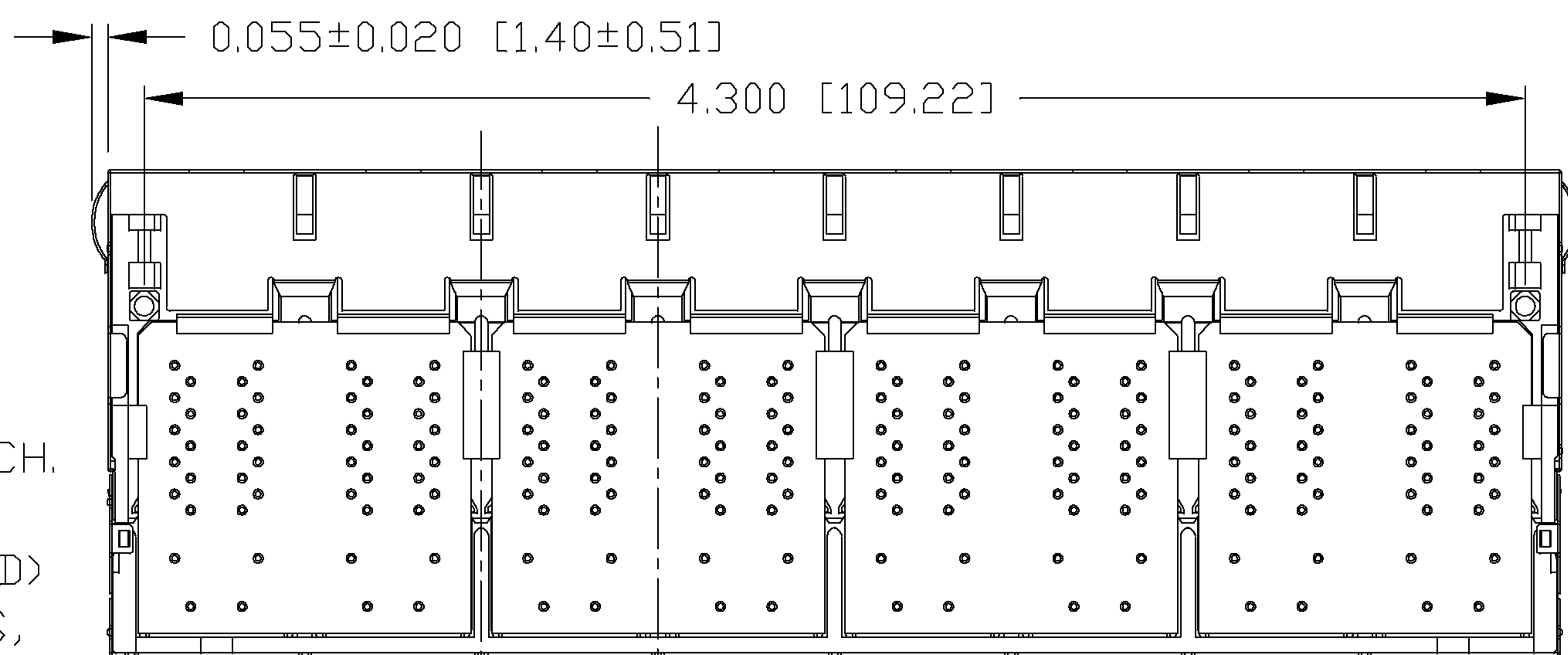
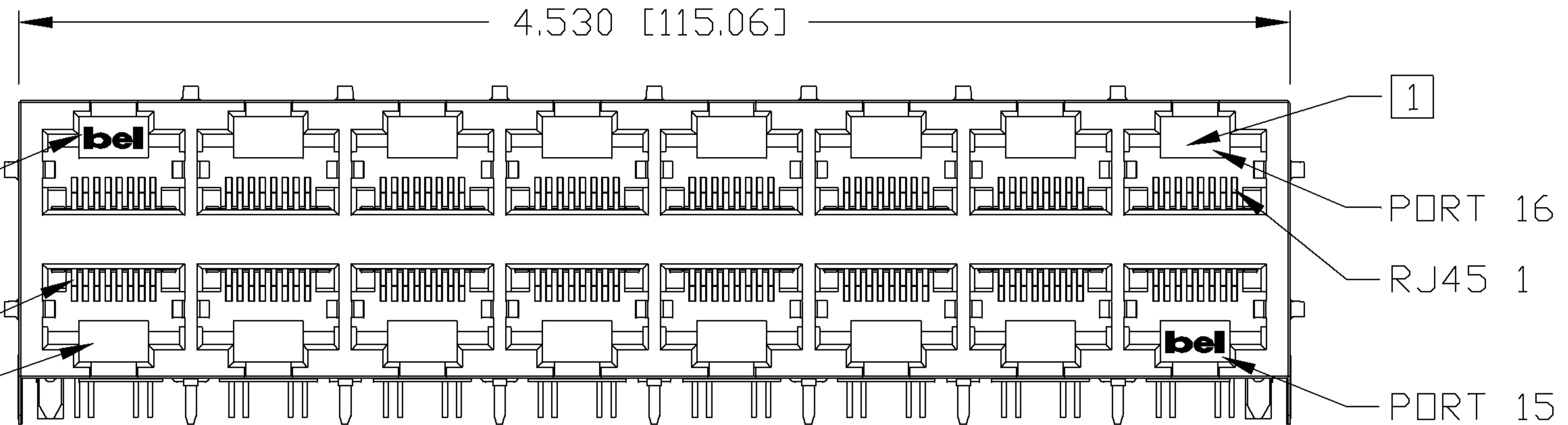
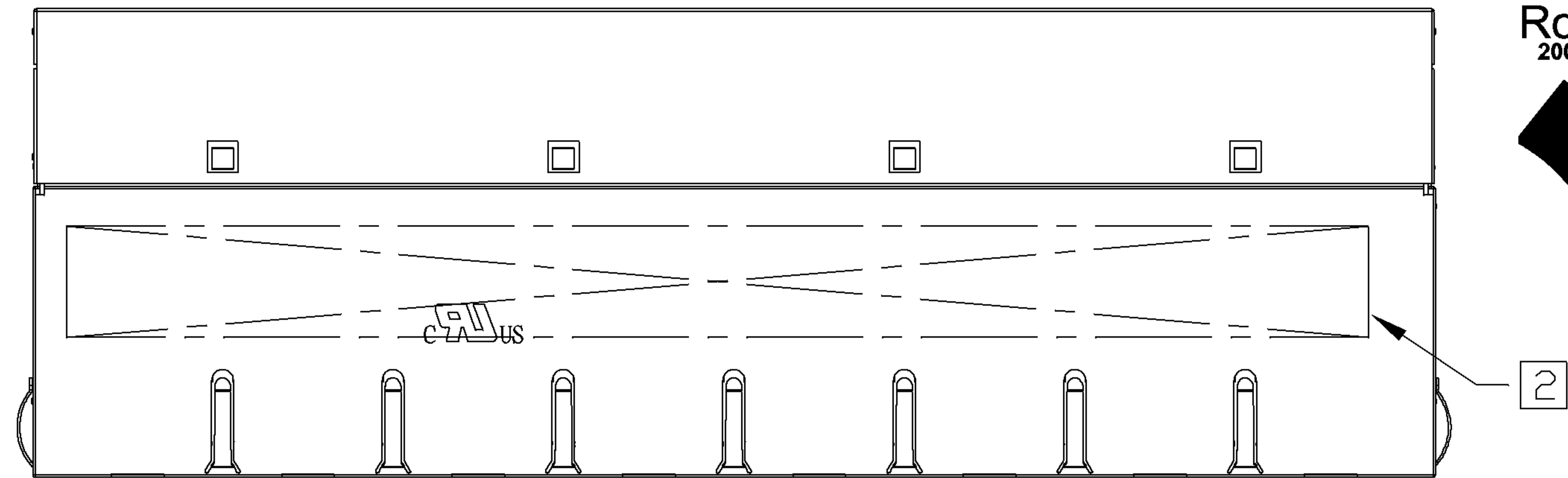
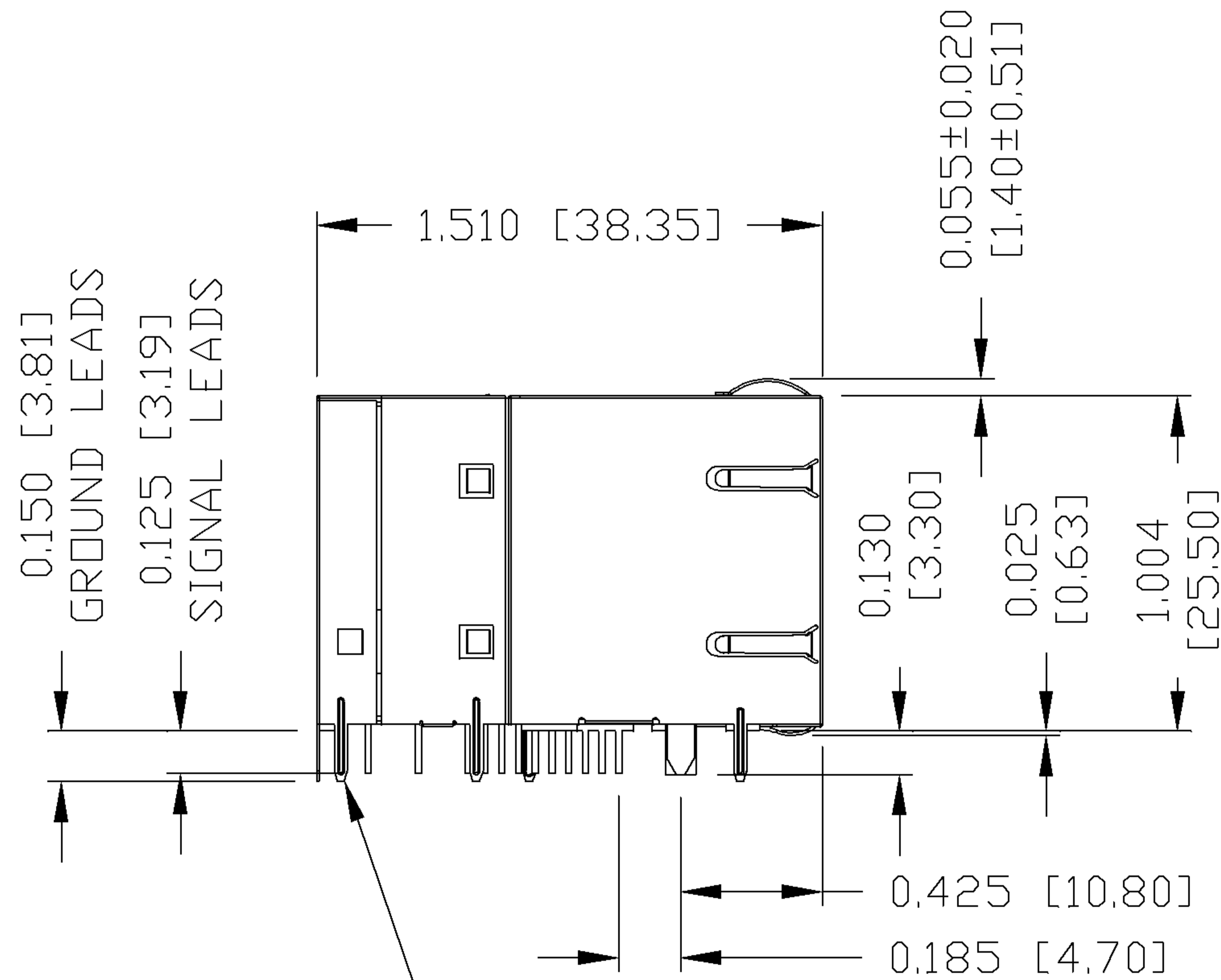
SCHEMATIC



ORIGINATED BY	DATE	TITLE	PART NO. / DRAWING NO.	STANDARD DIM. TOL. IN INCH	[] METRIC DIM. AS REFERENCE
CHOW WANCHUNG	01-12-08	2X8 gigabit MagJack® VOIP 0854-2X8R-66-F	08542X8R66-F	.X	UNIT : INCH [mm]
DRAWN BY	DATE		FILE NAME	.XX	SCALE : N/A
LEE WEIDE	01-12-08		08542X8R66-F_B.DWG	.XXX	SIZE : A4
					REV. : B
					SIZE : A4
					PAGE : 2



THE INFORMATION CONTAINED HEREIN IS CONSIDERED "PROPRIETARY" TO BEL FUSE INC. AND SHALL NOT BE COPIED, REPRODUCED OR DISCLOSED WITHOUT THE WRITTEN APPROVAL OF BEL FUSE INC.



0.550 [13.97] TYPICAL

NOTES:

- PLASTIC HOUSING: THERMOPLASTIC PBT
FLAMMABILITY RATING UL 94V-0
- CONTACT PLATING: 50 MICRO-INCH HARD GOLD PLATING
- OUTPUT PINS: TIN-COATED COPPER WIRE, DIA 0.018 INCH.
- METAL SHIELD: NICKEL PLATED ON COPPER ALLOY.
(ALL GROUND LEADS ARE SOLDER DIPPED)

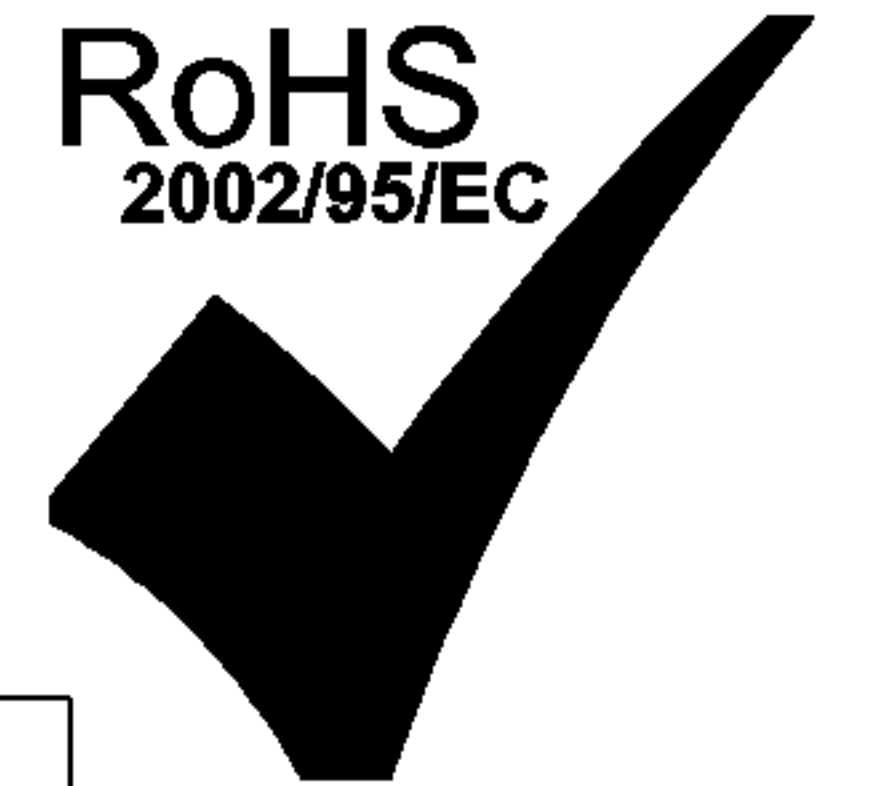
- [1] JACK CAVITY CONFORMS TO FCC RULES AND REGULATIONS, PART 68 SUBPART F.
- [2] MARK PART WITH MFG LOGO, PART NUMBER, DATE CODE AND MFG NAME.

c **us** UL RECOGNIZED - FILE #E196366 AND E169987.
RoHS COMPLIANCE, PER EU DIRECTIVE 2002/95/EC.

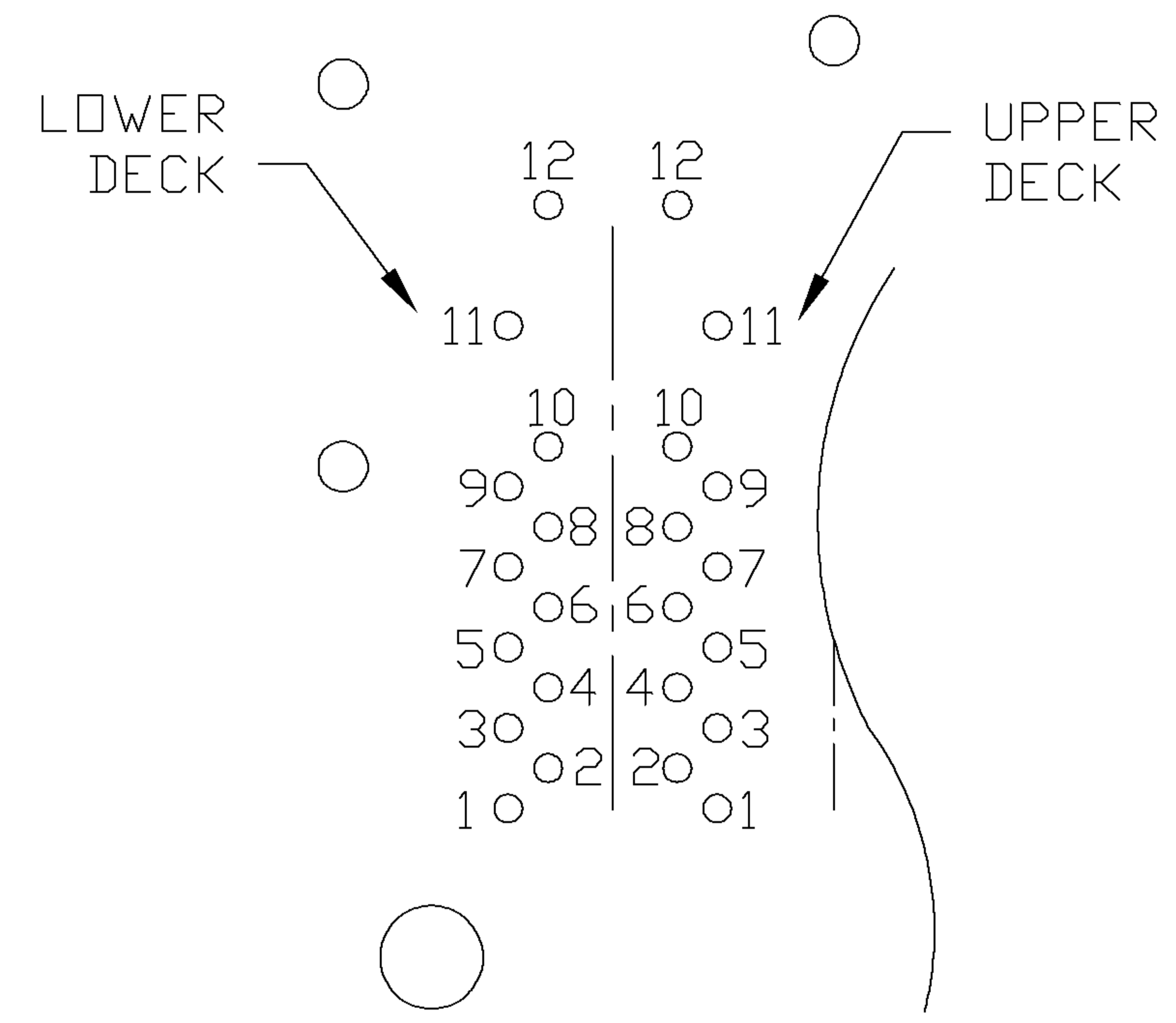
ORIGINATED BY LIU QIN	DATE 01-12-08	TITLE 2X8 gigabit MagJack® VOIP	PART NO. / DRAWING NO. 08542X8R66-F	STANDARD DIM.		[] METRIC DIM. AS REFERENCE		 COMPONENTS FOR A CONNECTED PLANET
				TOL. IN INCH		UNIT : INCH [mm]	REV. : B	
DRAWN BY CHEN TING	DATE 01-12-08	0854-2X8R-66-F	FILE NAME 08542X8R66-F_B.DWG	.X	/	SCALE : N/A	SIZE : A4	
				.XX		±0.010		

THE INFORMATION CONTAINED HEREIN IS CONSIDERED "PROPRIETARY" TO BEL FUSE INC. AND SHALL NOT BE COPIED, REPRODUCED OR DISCLOSED WITHOUT THE WRITTEN APPROVAL OF BEL FUSE INC.

RoHS
2002/95/EC

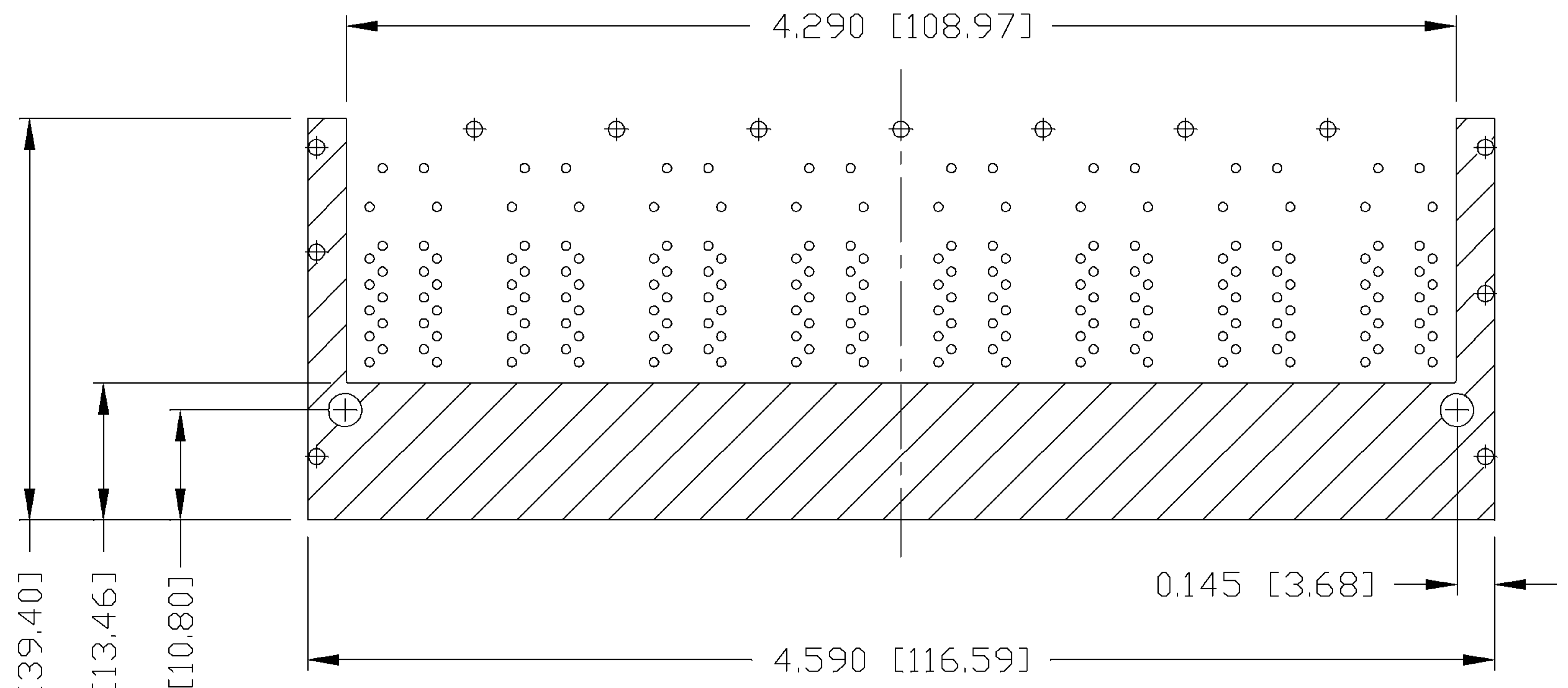
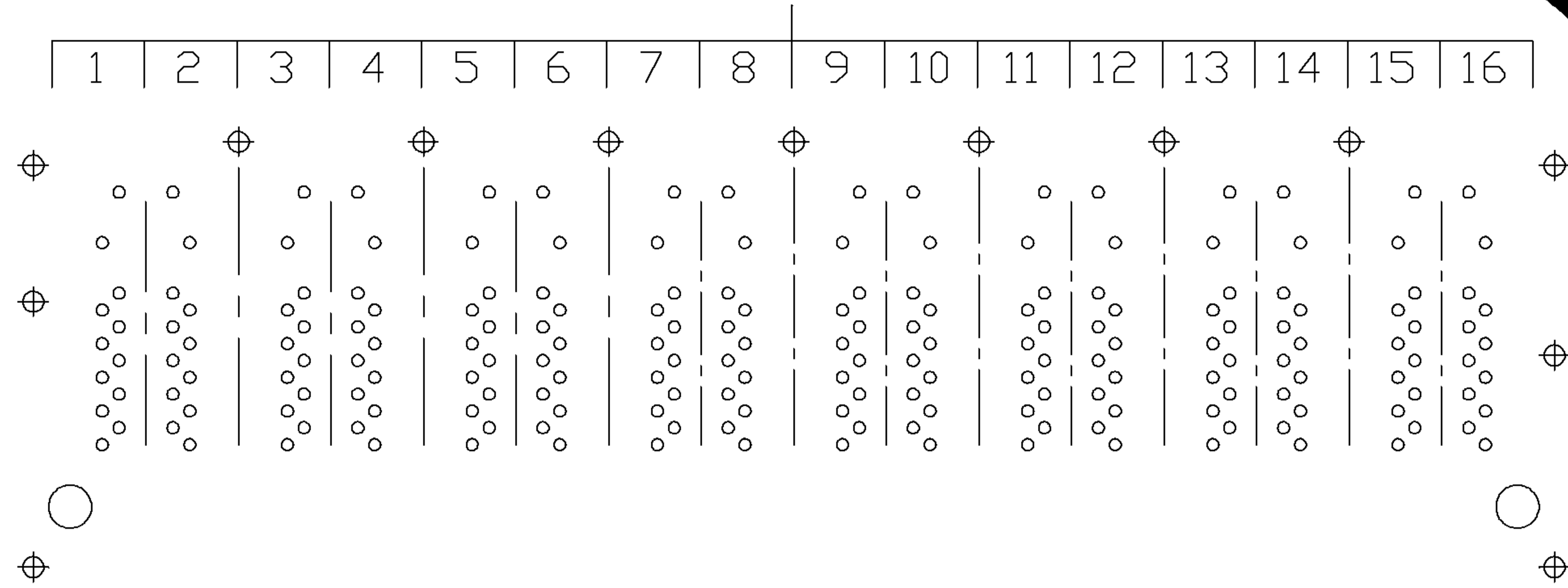


PORT ASSIGNMENT
(COMPONENT SIDE VIEW)



PIN-OUT INFORMATION
(COMPONENT SIDE VIEW)

12	VC-
11	VC+
10	GND
9	TRCT1/2/3/4
8	TRD 4+
7	TRD 4-
6	TRD 3+
5	TRD 3-
4	TRD 2+
3	TRD 2-
2	TRD 1+
1	TRD 1-



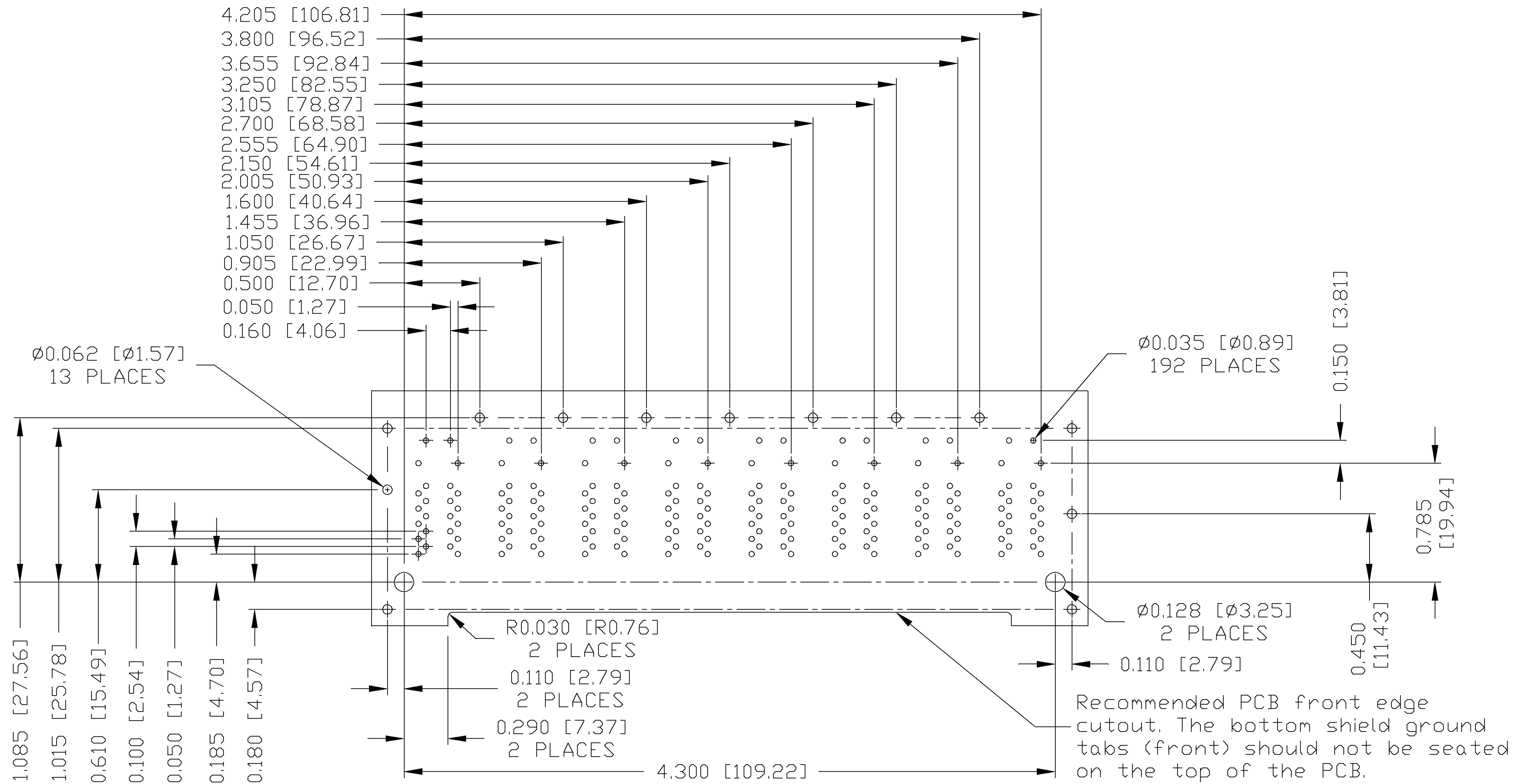
THE SHADED AREA ON THE CUSTOMER BOARD ARE RECOMMENDED TO BE CLEAR OFF ANY VIA HOLE OR COMPONENT PAD.

ORIGINATED BY LIU QIN	DATE 01-12-08	TITLE 2X8 gigabit MagJack® VOIP	PART NO. / DRAWING NO. 08542X8R66-F	STANDARD DIM. TOL. IN INCH	[] METRIC DIM. AS REFERENCE	<p>COMPONENTS FOR A CONNECTED PLANET</p>
DRAWN BY CHEN TING	DATE 01-12-08	0854-2X8R-66-F	FILE NAME 08542X8R66-F_B.DWG	.X	UNIT : INCH [mm]	
				.XX	SCALE : N/A	
				.XXX	±0.004	REV. : B SIZE : A4 PAGE : 4

THE INFORMATION CONTAINED HEREIN IS CONSIDERED "PROPRIETARY" TO BEL FUSE INC. AND SHALL NOT BE COPIED, REPRODUCED OR DISCLOSED WITHOUT THE WRITTEN APPROVAL OF BEL FUSE INC.



SUGGESTED FOOTPRINT
(COMPONENT SIDE VIEW)



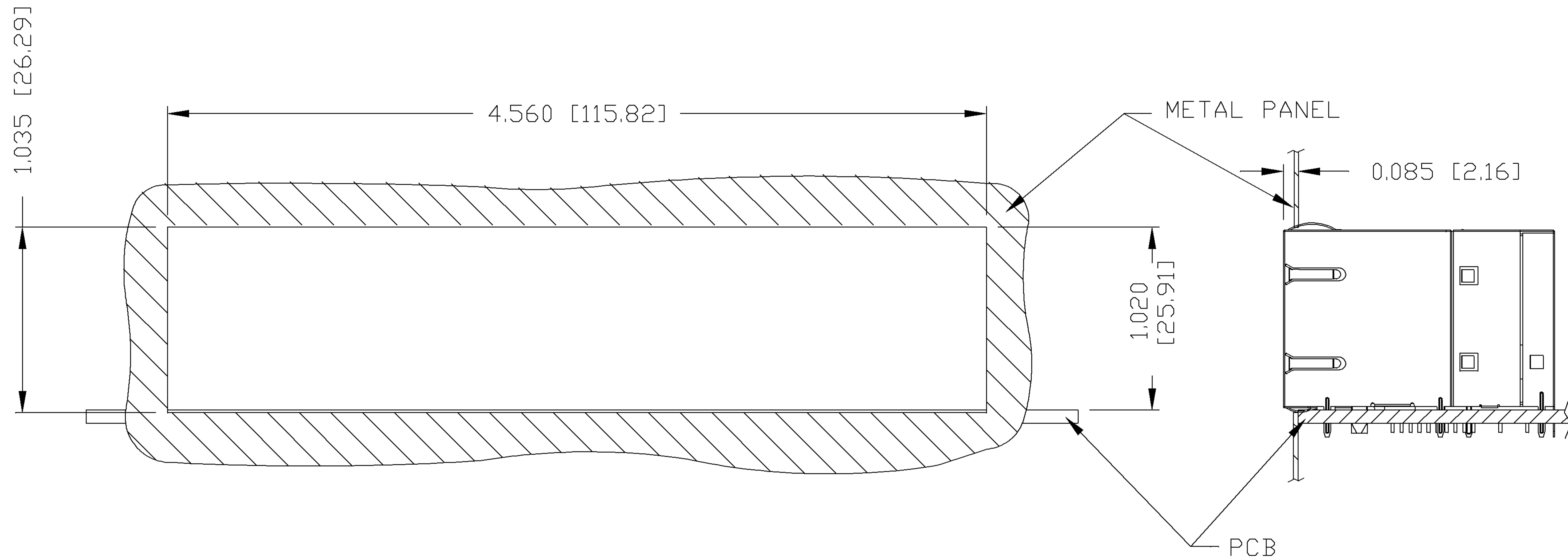
ORIGINATED BY LIU QIN	DATE 01-12-08	TITLE 2X8 gigabit MagJack® VDIP	PART NO. / DRAWING NO. 08542X8R66-F	STANDARD DIM. TOL. IN INCH	[] METRIC DIM. AS REFERENCE	<p>COMPONENTS FOR A CONNECTED PLANET</p>
DRAWN BY CHEN TING	DATE 01-12-08	0854-2X8R-66-F	FILE NAME 08542X8R66-F_B.DWG	.X	UNIT : INCH [mm]	
				.XX	SCALE : N/A	
				.XXX ±0.004	SIZE : A4	
						REV. : B
						SIZE : A4
						PAGE : 5

THE INFORMATION CONTAINED HEREIN IS CONSIDERED "PROPRIETARY" TO BEL FUSE INC. AND SHALL NOT BE COPIED, REPRODUCED OR DISCLOSED WITHOUT THE WRITTEN APPROVAL OF BEL FUSE INC.

RoHS
2002/95/EC



SUGGESTED PANEL OPENING



NOTE:

THE DISTANCE OF PANEL INSIDE SURFACE RELATIVE TO FRONT SURFACE OF PART IS ONLY A SUGGESTION. IN CASE THIS DISTANCE IS DIFFERENT, THE REQUIRED PANEL OPENING DIMENSIONS CHANGE ACCORDINGLY.

PACKING INFORMATION

PACKING TRAY : 0200-9999-D1 (TOP)

0200-9999-D2 (BOTTOM)

PACKING QUANTITY : 10 PCS FINISHED GOODS PER TRAY.

5 TRAYS (50 PCS FINISHED GOODS) PER CARTON BOX.

NOTE : CARDBOARDS ARE PLACED BETWEEN LAYERS OF PACKING TRAY INSIDE CARTON BOX.

(INCLUDE THE UPPERMOST AND LOWERMOST TRAY)

ORIGINATED BY LIU QIN	DATE 01-12-08	TITLE 2X8 gigabit MagJack® VOIP	PART NO. / DRAWING NO. 08542X8R66-F	STANDARD DIM.		[] METRIC DIM. AS REFERENCE		 COMPONENTS FOR A CONNECTED PLANET
				TOL. IN INCH		UNIT : INCH [mm]	REV. : B	
DRAWN BY CHEN TING	DATE 01-12-08	0854-2X8R-66-F	FILE NAME 08542X8R66-F_B.DWG	.X	±0.004	SCALE : N/A	SIZE : A4	
				.XX		SCALE : N/A	PAGE : 6	
				.XXX				