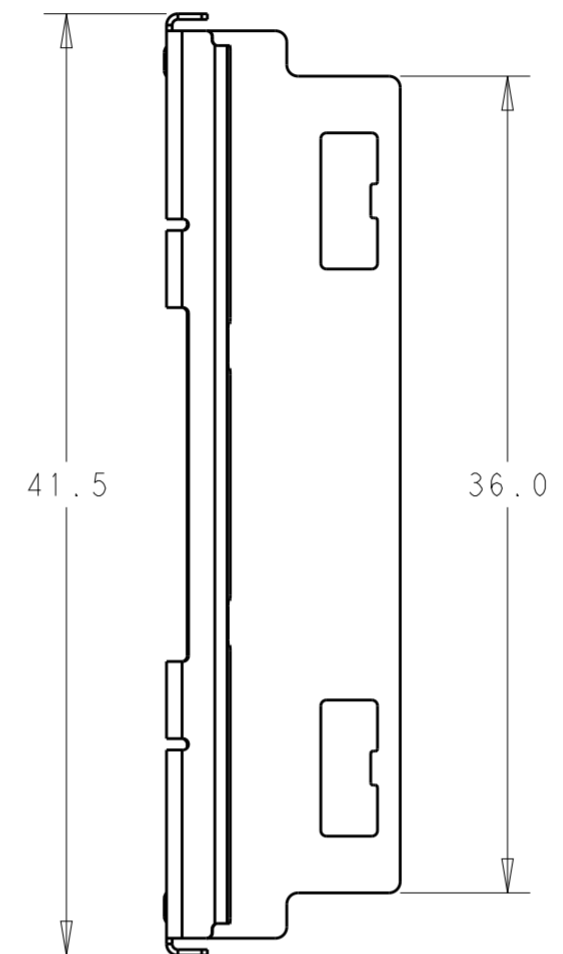
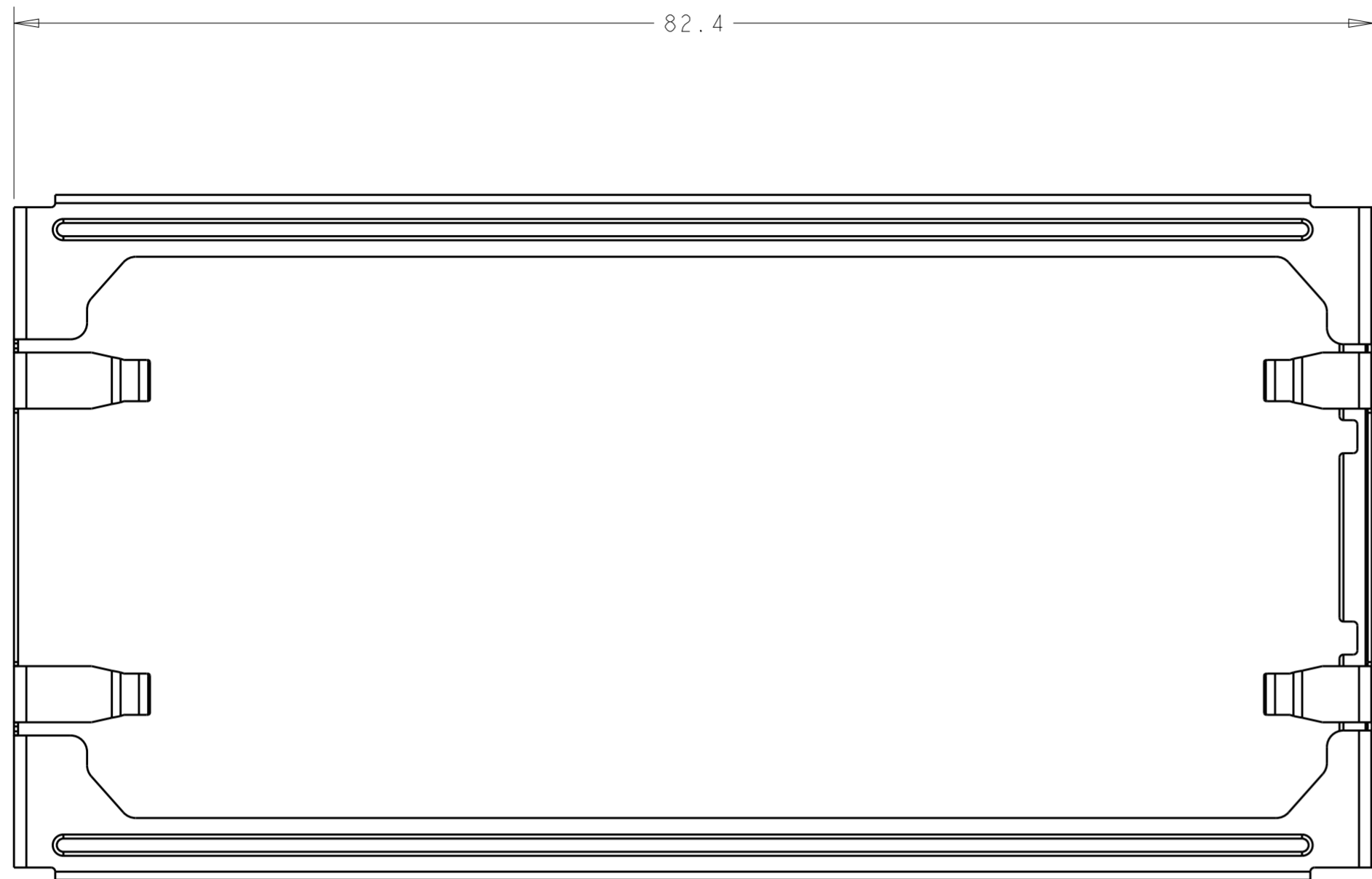
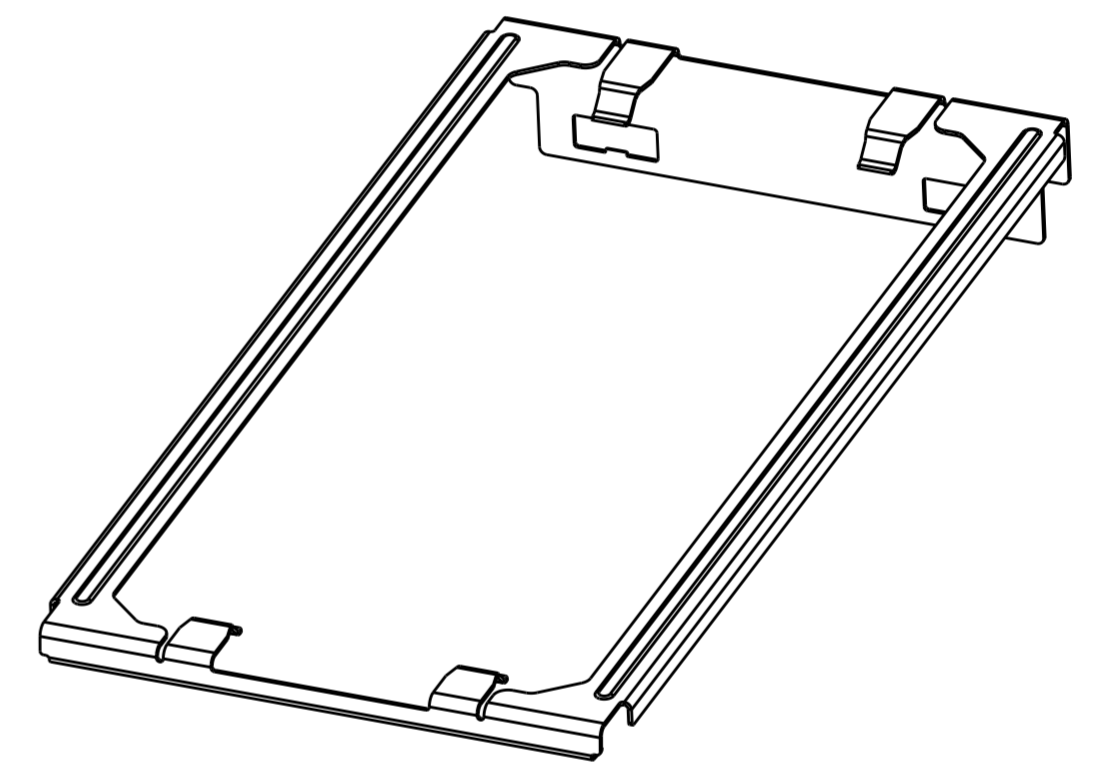


THIS DRAWING IS UNPUBLISHED. RELEASED FOR PUBLICATION 20  
 © COPYRIGHT 20 BY - ALL RIGHTS RESERVED.

REVISIONS				
P	LTR	DESCRIPTION	DATE	APVD
A		INITIAL RELEASE	05JUN2018	AD SH
A1		ADD PN -4 WITHOUT FLANGE	28MAY2020	IT SH



1 MATERIAL: STAINLESS STEEL  
 2 PLATING: PASSIVATE



2288220-2 3D VIEW  
 SCALE 2:1



2288220-2  
 PART NUMBER

THIS DRAWING IS A CONTROLLED DOCUMENT.		DWN ANDY XIE 11OCT2016	<b>STE</b> TE Connectivity	
DIMENSIONS: mm		CHK SEAN HAN 11OCT2016		
TOLERANCES UNLESS OTHERWISE SPECIFIED:		APVD SEAN HAN 11OCT2016	NAME HEAT SINK CLIP CFP2	
0 PLC ±	1 PLC ±0.30	PRODUCT SPEC -	SIZE A2	CAGE CODE -
2 PLC ±0.25	3 PLC ±0.15	APPLICATION SPEC -	DRAWING NO. C-2288220	RESTRICTED TO -
4 PLC ±	ANGLES ±	WEIGHT -	SCALE 1:1	SHEET 1 OF 2
MATERIAL -	FINISH -	CUSTOMER DRAWING	REV A1	

4

3

2

1

THIS DRAWING IS UNPUBLISHED. RELEASED FOR PUBLICATION 20  
 © COPYRIGHT 20 BY - ALL RIGHTS RESERVED.

REVISIONS				
P	LTR	DESCRIPTION	DATE	APVD
-	-	SEE SHEET 1	-	-

2288220-4 AS SHOWN

SAME AS 2288220-2 BUT WITH FLAT BEAM (WITHOUT TWO SIDE FLANGE)

82.4

41.5

FLAT BEAM  
2X

36.0

2288220-4 3D VIEW  
SCALE 2:1

10.3

2288220-4  
PART NUMBER

THIS DRAWING IS A CONTROLLED DOCUMENT.		DWN ANDY XIE 11OCT2016	<b>STE</b> TE Connectivity	
		CHK SEAN HAN 11OCT2016		
		APVD SEAN HAN 11OCT2016	NAME HEAT SINK CLIP CFP2	
DIMENSIONS: mm		PRODUCT SPEC -	SIZE A2	CAGE CODE -
TOLERANCES UNLESS OTHERWISE SPECIFIED:		APPLICATION SPEC -	DRAWING NO G-2288220	RESTRICTED TO -
0 PLC ±	1 PLC ±0.30	WEIGHT -	SCALE 1:1	SHEET 2 OF 2
2 PLC ±0.25	3 PLC ±0.15	CUSTOMER DRAWING	REV A1	
4 PLC ±	ANGLES ±			
FINISH				

1471-9 (3/13)