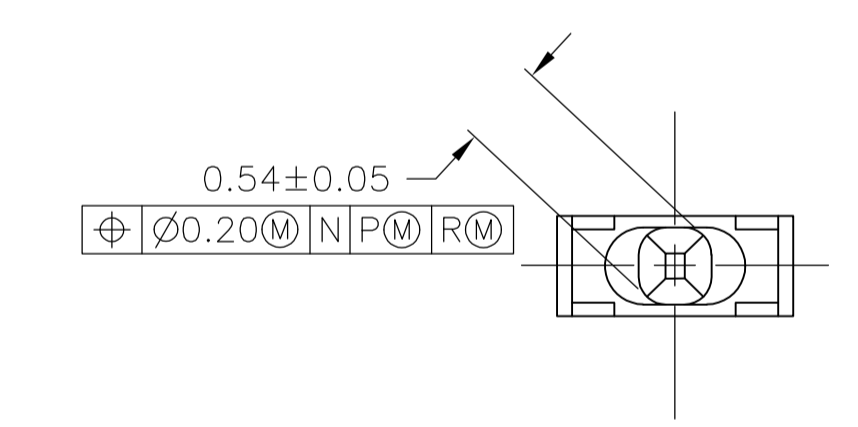
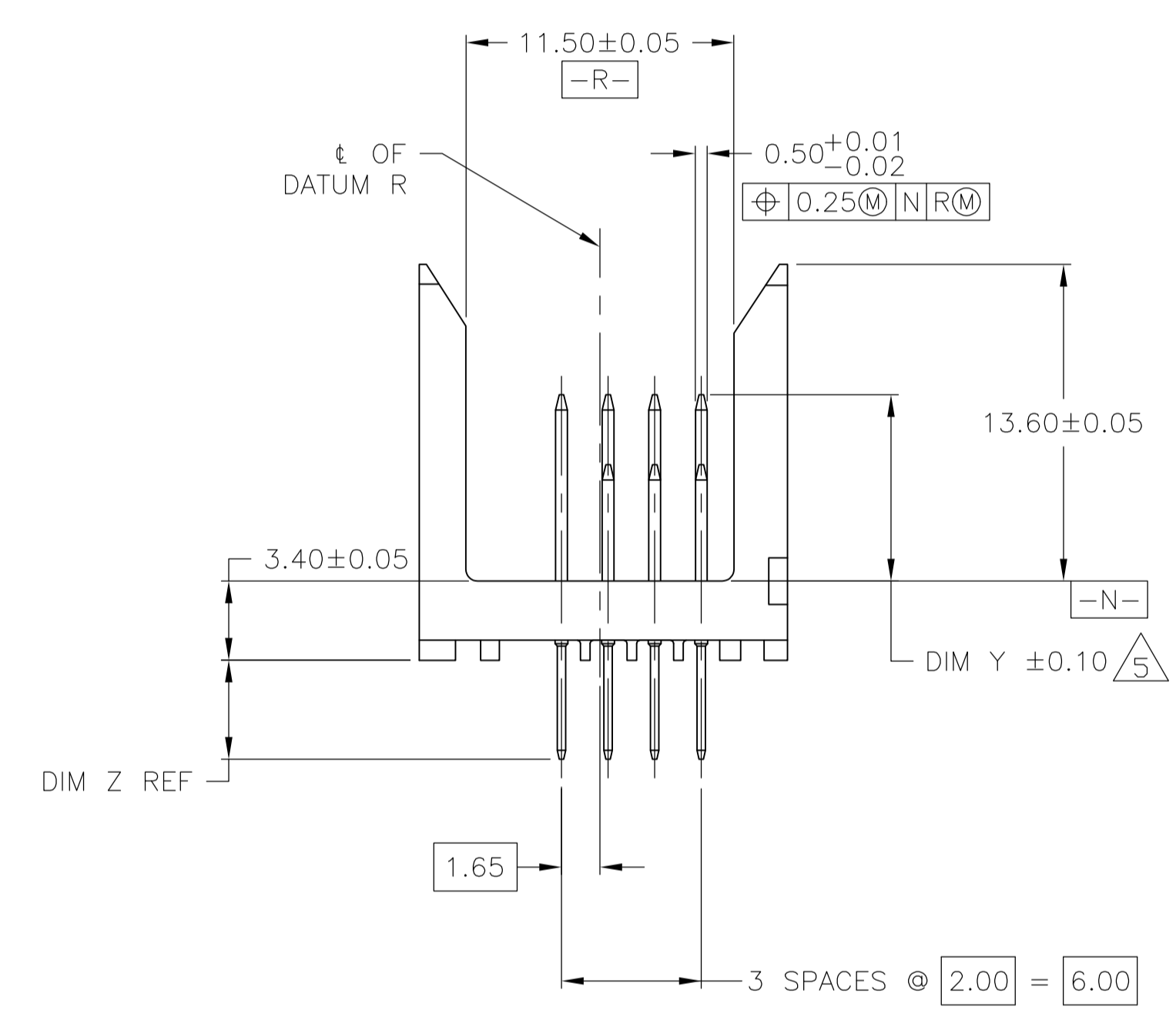
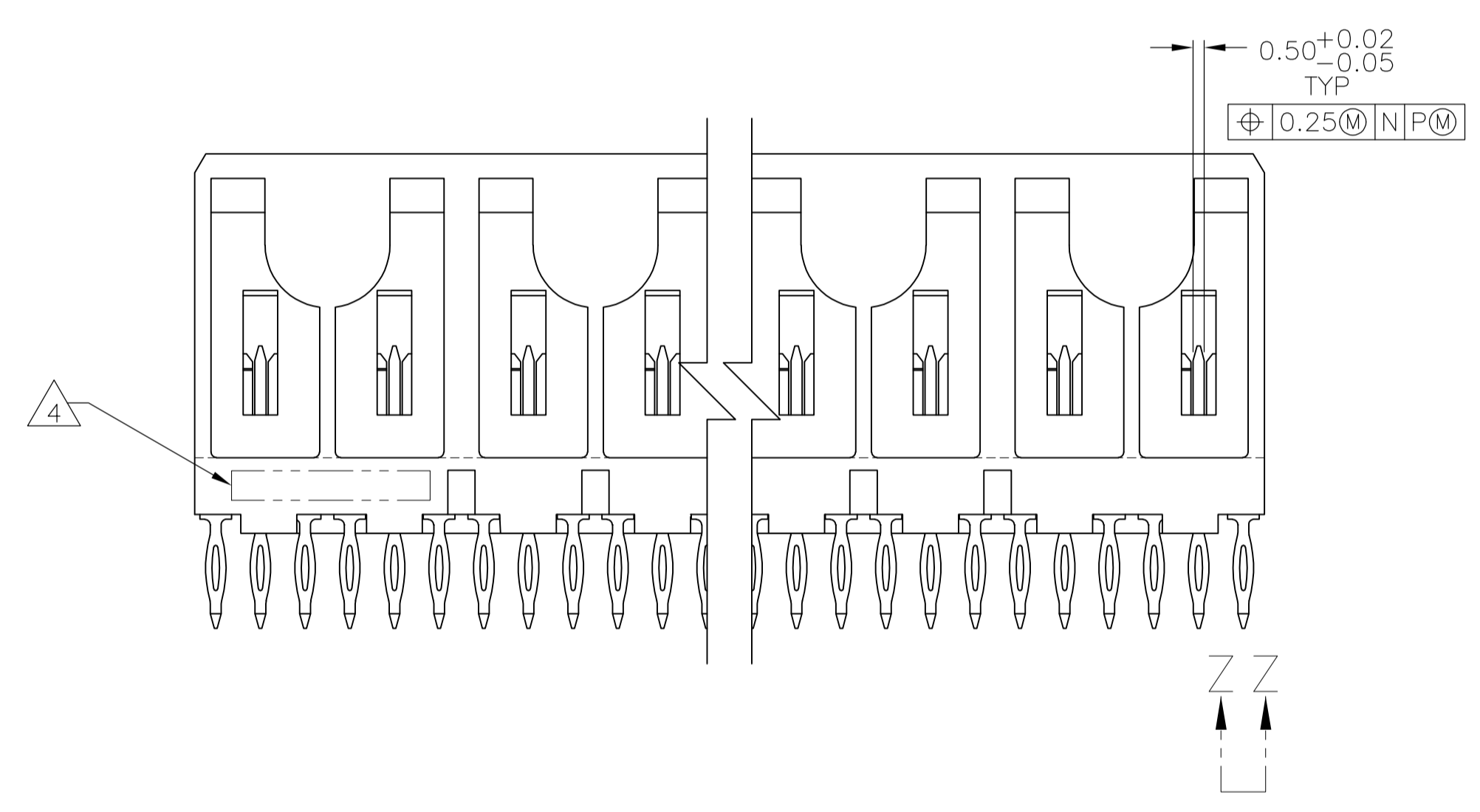
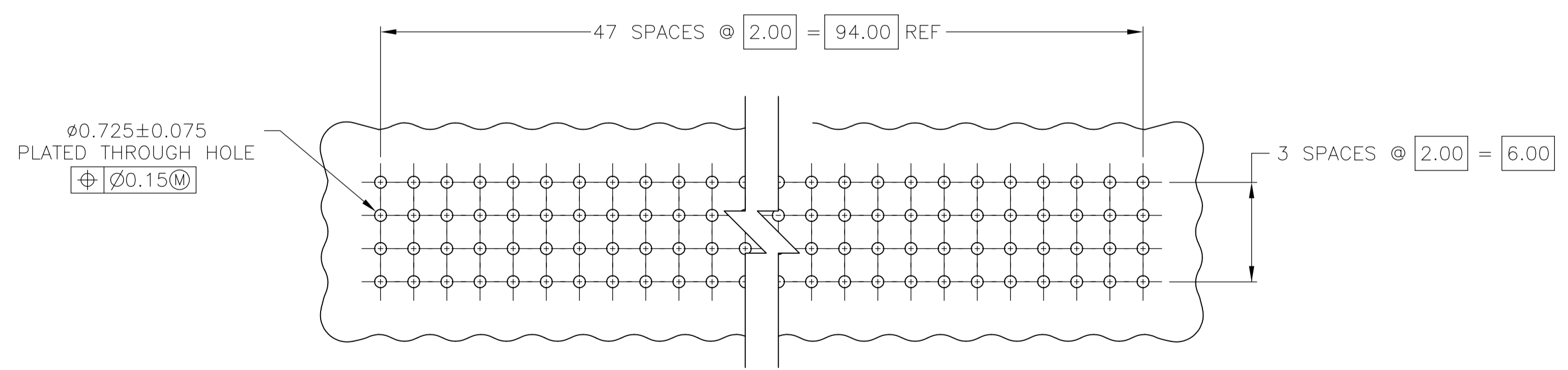


- 1 HOUSING MATERIAL: LIQUID CRYSTAL POLYMER.
COLOR: NATURAL.
- 2 CONTACT MATERIAL: PHOSPHOR BRONZE.
- 3 CONTACT FINISH: (B)
UNDERPLATE (ENTIRE CONTACT):
0.00127 MIN NICKEL PER SAE-AMS-QQ-N-290
ON MATING SURFACES:
CONFORMS TO ALL TESTING SPECIFIED FOR TELCORDIA
UNCONTROLLED ENVIRONMENT.
ON LEADS:
0.0006 MIN MATTE TIN PER ASTM B 545 OVER UNDERPLATE.
LUBRICATION (MIN MATING SURFACES):
SURFACE CONDITIONER AFTER PLATING.
- 4 PART MARKING, LOCATED APPROXIMATELY AS SHOWN.
- 5 DIMENSION APPLIES WHEN SEATED ON PRINTED CIRCUIT BOARD.



VIEW Z-Z
SCALE 20:1



RECOMMENDED CIRCUIT PATTERN
 PER IPC-D300 TYPE II, CLASS C
 (COMPONENT SIDE)

THIS DRAWING IS A CONTROLLED DOCUMENT.		DIN B MCMMASTER 150EC04	Tyco Electronics Corporation Shanghai, P.R.China, 200233
		CIK R WERTZ 150EC04	
DIMENSIONS: mm		APVD R WERTZ 150EC04	NAME PIN ASSY, SIGNAL MODULE, Z-PACK 2mm FB, 4 ROW, 192 POSITION, PRESS FIT LEADS WITH SEQUENCING
TOLERANCES UNLESS OTHERWISE SPECIFIED:		PRODUCT SPEC 108-1441	
0 PLC ± -		APPLICATION SPEC 114-1075	SIZE CAGE CODE DRAWING NO RESTRICTED TO
1 PLC ± -		WEIGHT -	A1 00779 C=5223617 -
2 PLC ± 0.13		CUSTOMER DRAWING	SCALE 4:1 SHEET 1 OF 2 REV B
3 PLC ± -			
4 PLC ± -			
ANGLES ± -			

