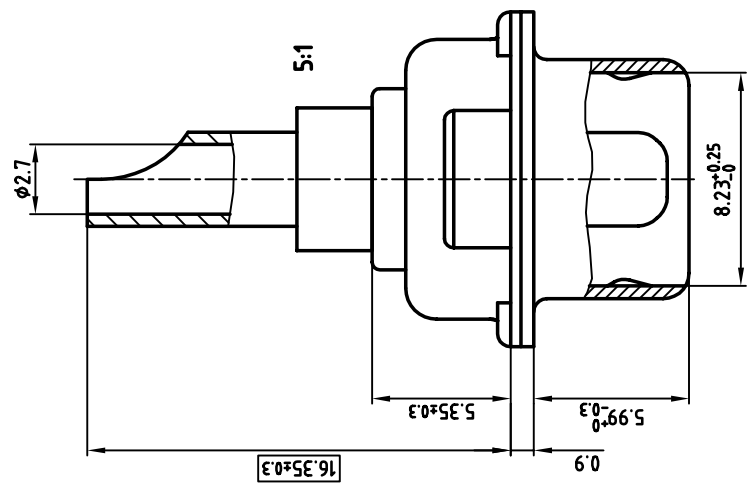


used for: D-SUB COMBINATION



**NOTES:**

1. METALSHELLS: STEEL; min. 320µ" TIN
2. INSULATORS: PBT GF UL 94 V-0, GREEN
3. HIGH POWER CONTACTS 20A: COPPER ALLOY
4. PLATING: min. 30µ" HARD GOLD OVER min. 50µ" NICKEL
5. SOLDER CUP ACCEPTS CABLE AWG 12-14
6. THREADED INSERT: COPPER ALLOY; min. 200µ" TIN over 80µ" NICKEL
7. COLLAR: COPPER ALLOY; min. 200µ" TIN over 80µ" NICKEL
8. MAXIMUM TORQUE VALUE FOR THREAD: 6" LBS
9.   = CRITICAL DIMENSION: SPC

tolerance		scale: 2:1 (5:1)	
material:		SEE NOTES	
title:		D-SUB COMBINATION MALE	
date		5W5P	
drawn		with threaded insert	
appd.		AutoCAD 2000	
norm		DIN-A	
e-old		13K1A4-12A	
rev. description		dwg no:	
name		3	
date		sh: 1/1	
product no:		3005W5PXX42A30X	

THIS DRAWING MAY NOT BE COPIED OR REPRODUCED IN ANY WAY, AND MAY NOT BE PASSED ON TO A THIRD PARTY WITHOUT WRITTEN PERMISSION. OWNERSHIP AND COPYRIGHT OF CONEC GMBH DO NOT ALTER CAD DRAWING BY HAND

