

# 60mm sq.

## San Ace 60WF



### General Specifications

- Material: Frame: Plastics (Flammability: UL94V-0), Impeller: Plastics (Flammability: UL94V-0)
- Expected Life: Refer to specifications (L10:Survival rate: 90% at 60°C, rated voltage, and continuously run in a free air state)
- Lead Wire: ⊕red ⊖black (Sensor) yellow
- Storage Temperature: -30°C to +70°C (Non-condensing)

The product can be used in an oil mist environment\*

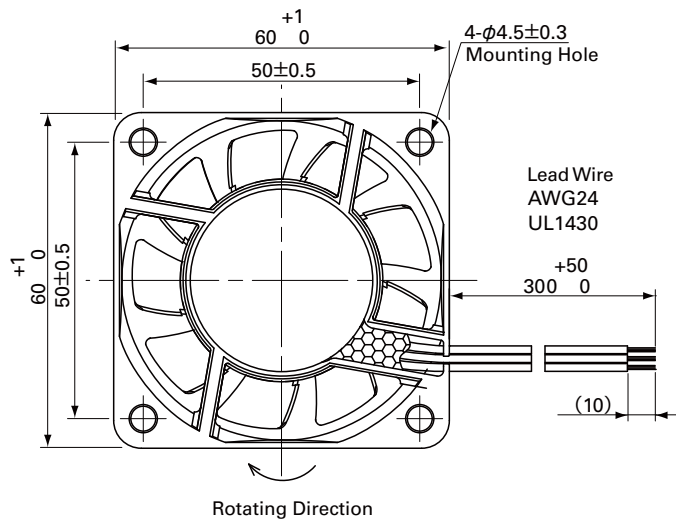
\*Environment where machining oil mist is scattered.  
Usage of this product requires an evaluation with the oil that will be used.

## 60×60×20mm (Mass : 80g) 9WF type

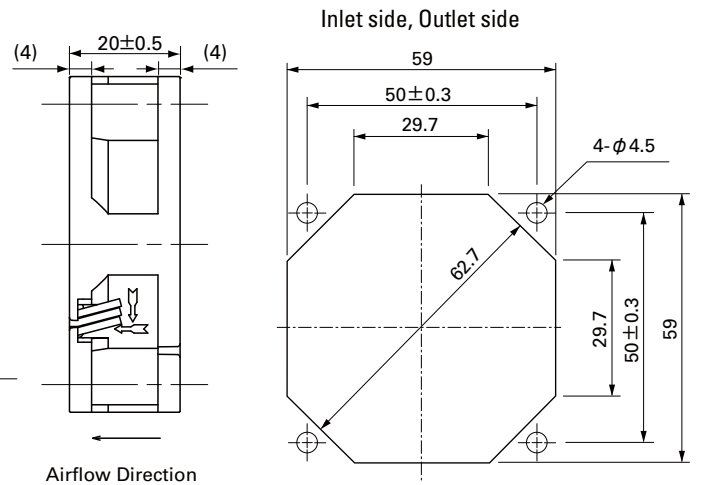
### Specifications The following nos. have pulse sensors and ribs.

Model No.	Rated Voltage [V]	Operating Voltage Range [V]	Rated Current [A]	Rated Input [W]	Rated Speed [min <sup>-1</sup> ]	Max. Airflow [m <sup>3</sup> /min] [CFM]	Max. Static Pressure [Pa] [inchH <sub>2</sub> O]	SPL [dB(A)]	Operating Temperature [°C]	Expected Life [h]
9WF0624H601	24	12 to 27.6	0.15	3.6	6,600	0.69 24.3	114 0.45	42	-20 to +70	40,000/60°C

### Dimensions (unit: mm)



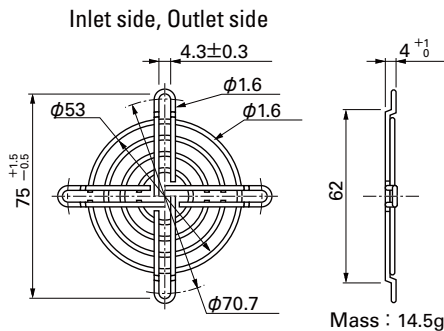
### Reference Dimensions of Mounting Holes and Vent Opening (unit: mm)



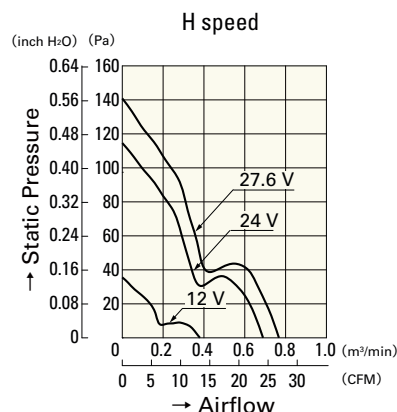
### Options (unit: mm)

#### Finger Guards

Model : 109-139E Surface treatment : Nickel-chrome plating (silver) Color : 109-139H : Cation electropainting (black)



### Airflow - Static Pressure Characteristics



9WF0624H601