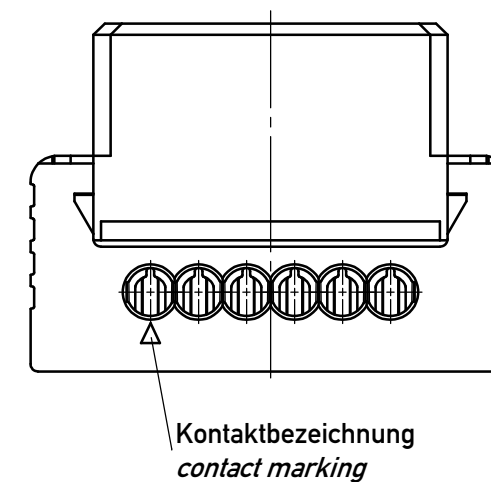
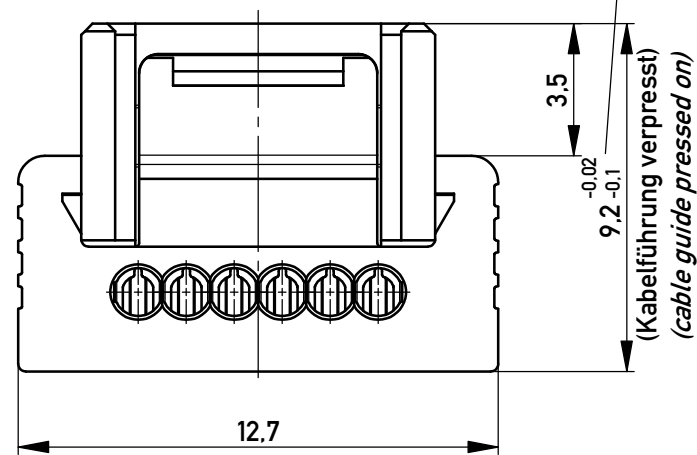
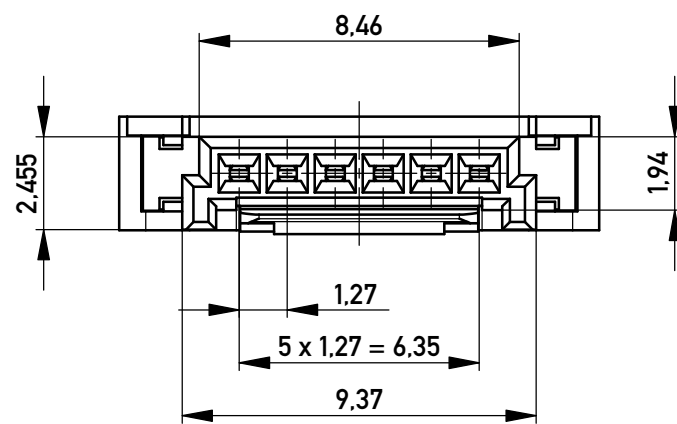
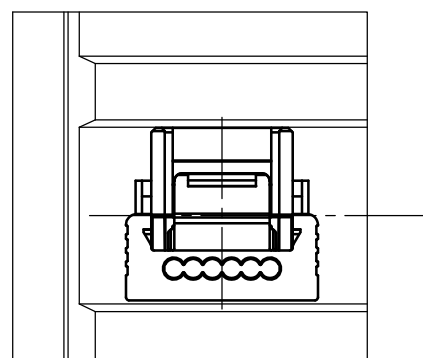


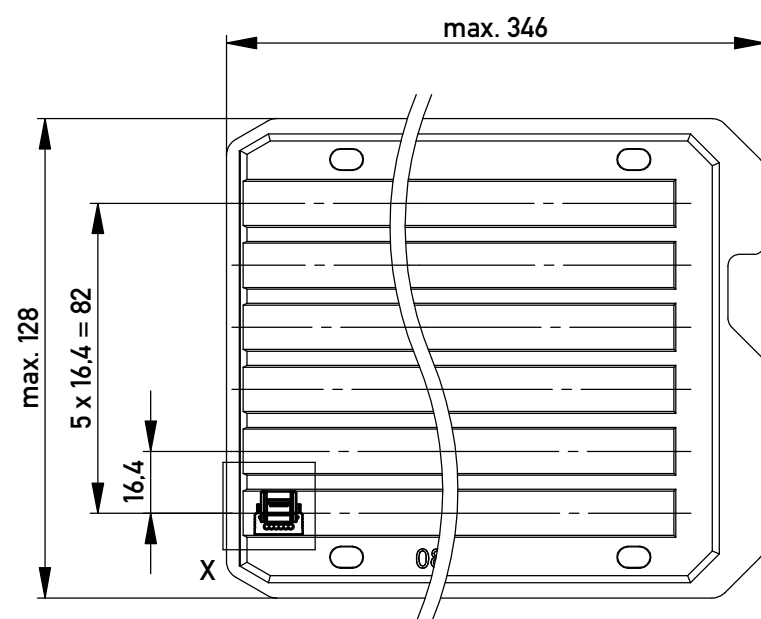
Funktionsrelevantes Prüfmerkmal
 siehe Verarbeitungsspezifikation
 MiniBridge ERNI Electronics GmbH



Einzelheit X - detail X
 M 2:1



Verpackt in Tray - tray packaging
 Verpackungseinheit 144 Stück - packaging unit 144 pcs



* Federkontakt AWG 22 - Female Contact AWG 22
 Kabelführung $\phi 1.27$ - cable guide $\phi 1.27$

nur mit Hilfsmittel lösbar, für Einzeladern, für die Anforderung nach PG 9 der LV214 (Koshiri-Sicherheit)
 only with tool unlockable, for single conductors, for the requirement of the LV214 PG 9 (Koshiri-security)

| | | | | |
|--|------------|---|--|--------------------------|
| Information: | Tolerances | All Dimensions in mm | Scale | 5:1 |
| | | | Designation | |
| All rights reserved. Only for Information. To ensure that this is the latest version of this drawing, please contact one of the ERNI companies before using. | | Subject to modification without prior notice. Drawing will not be updated. | F 1,27 SRC P SKV, 6-polig KS F 1,27 SRC P SKV, 6-pin KS | |
| Copyright by ERNI GmbH Proprietary notice pursuant to ISO 16016 to be observed. | | | www.ERNI.com | 474832 I A3 |
| Index | Date | Class | | SRCP |