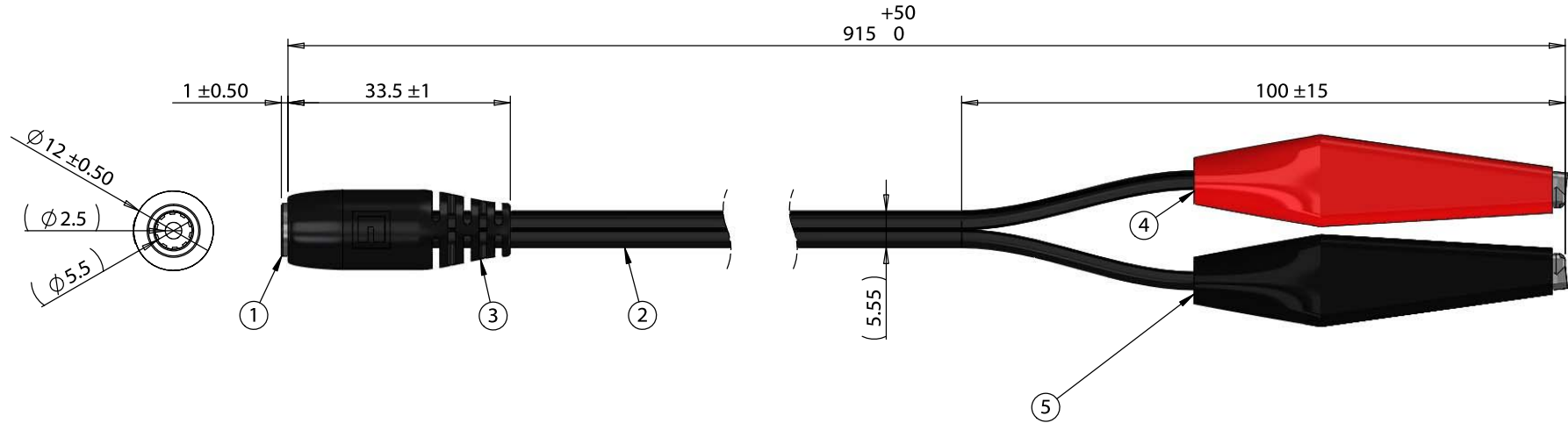


ITEM NO.	PART NUMBER	DESCRIPTION	QTY.	COMPONENT NOTES
1	50-00027	Connector, dc jack, 5.5x2.5xL17.4 mm, molding style	1	
2	30-00242	Wire, 2C, 18 AWG, UL SPT-1, 300V, 105C, 5.55 mm, VW-1, PVC	1	
3	24-00029	Overmold, PVC	1	black
4	50-00555	Connector, 50 mm, alligator clip, red sleeve	1	
5	50-00556	Connector, 50 mm, alligator clip, black sleeve	1	



Wiring Diagram		
50-00027	wire color	alligator clip
center	black with tracer	50-00555/red
sleeve	black	50-00556/black

Revision: A	Date: 5/23/2017	Description: Initial release	Prepared: PS <small>Digitally signed by PS Date: 2017.07.20 15:48:10 -07'00'</small>	Notes: RoHS compliant	<h1>TENSILITY</h1> <p>tel 1.541.323.3228 800 877.670.7118 fax 1.541.323.4202 web tensility.com</p>
			Verified: GL <small>Digitally signed by GL Date: 2017.07.21 08:13:56 -07'00'</small>	Function test: no open, no short circuit, no intermittent	
			Dimensions are in millimeters. Tolerances: X: ± 0.5 mm X.X: ± 0.3 mm X.XX: ± 0.05 mm	Description: Cable, 915 mm, 5.5x2.5 mm 50-00027 dc jack to alligator clips, 18 AWG, 30-00242 wire	Size: A Part number: 10-02455
					Scale: 1:1 Sheet 1 of 1

5

↑

4

3

2

1