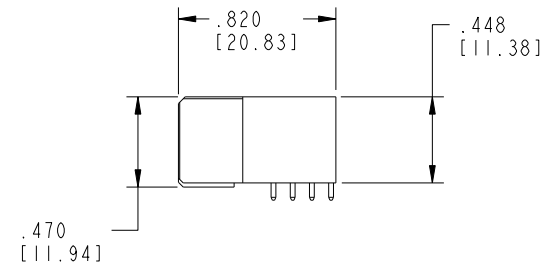
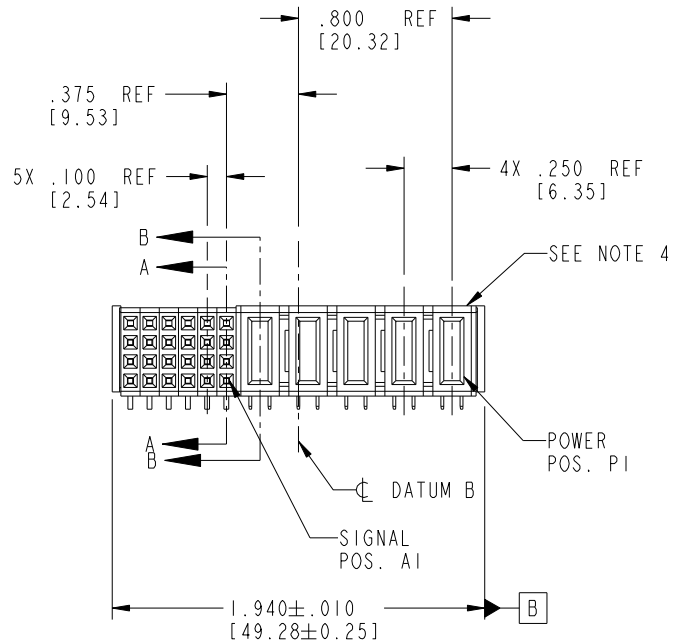


Tous droits strictement réservés. Reproduction ou communication a des tiers interdite sous quelque forme que ce soit sans autorisation écrite du propriétaire. Propriété de c FCI. Droits de reproduction FCI.



All rights strictly reserved. Reproduction or issue to third parties in any form whatever is not permitted without written authority from the proprietor. Property of FCI. Copyright FCI.

PRODUCT NO.	ROWS	SIGNAL					POWER				
		6	5	4	3	2	1	P5	P4	P3	P2
51776-001-- NOTE: ③	D C B A	M	M	M	M	M	PB	PB	PB	PD	PD
		L	L	L	L	L					
		K	K	K	K	K					
		J	J	J	J	J					



CODE	DIM "M" MATING LENGTH	CONTACT TYPE
J	N/A [N/A]	SIGNAL
K	N/A [N/A]	SIGNAL
L	N/A [N/A]	SIGNAL
M	N/A [N/A]	SIGNAL
PB	.042 [1.07]	POWER
PD	.092 [2.34]	POWER

mat'l code SEE NOTE 2				tolerances unless otherwise specified		CUSTOMER		 www.fciconnect.com	
ltr	ecn no.	dr	date	linear	.XX±.01/0.XX±0.3	COPY		title	
A	V21514	TAB	10/07/02		.XXX±.005/0.XX±0.13	projection		5P + 24S	
B	DG05-0231	SJ	07/18/05	angles	.XXX±.0020/0.XXX±0.051			R/A SOLDER RECEPTACLE	
C	DG08-0251	W D	09/15/08		0°±2°	INCH/MM		product family	
				dr	T. BRUNGARD 10/07/02	scale		PwrBlade	
				engr	M. MOSTOLLER 10/07/02	1:1		code	
				chr	M. MOSTOLLER 10/07/02			213	
				appd	M. MOSTOLLER 10/07/02			sheet	
sheet index	revision sheet	C 1	C 2	C 3	C 4			1 of 4	
								A 51776-001	

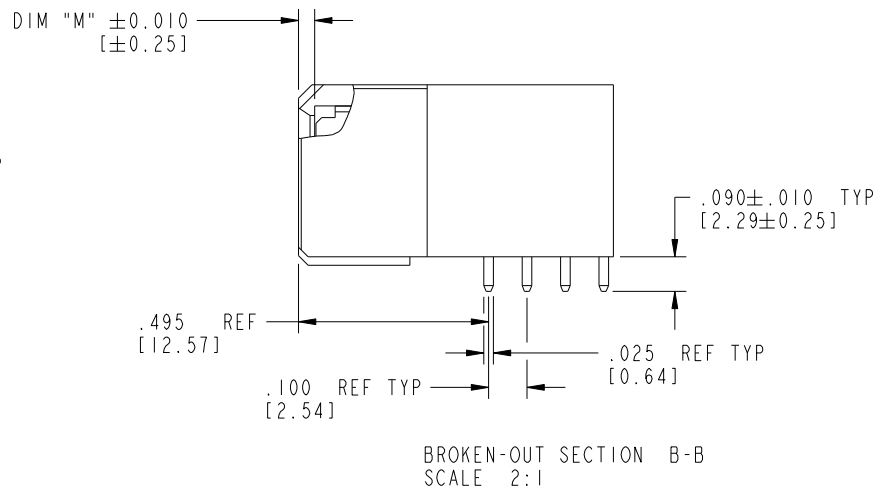
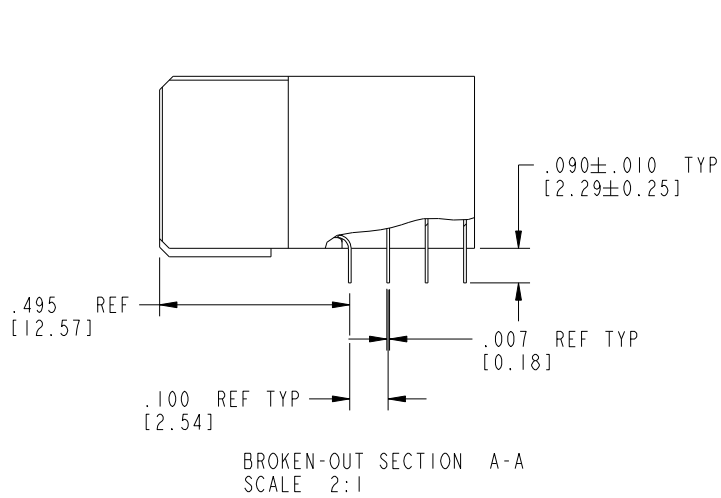
Tous droits strictement réservés. Reproduction ou communication a des tiers interdite sous quelque forme que ce soit sans autorisation écrite du propriétaire. Propriété de c FCI. Droits de reproduction FCI.

All rights strictly reserved. Reproduction or issue to third parties in any form whatever is not permitted without written authority from the proprietor. Property of FCI. Copyright FCI.



PRODUCT NUMBER

51776-001  
NOTE: ③



mat'l code		SEE NOTE 2		tolerances unless otherwise specified		CUSTOMER		FCI	
ltr	ecn no.	dr	date	linear	.XX±.01/0.X±0.3	COPY		www.fciconnect.com	
C				projection	.XXX±.005/0.XX±0.13	INCH/MM		title	
				angles	.XXX±.0020/0.XXX±0.051	1:1		5P + 24S R/A SOLDER RECEPTACLE	
				dr	T. BRUNGARD 10/07/02	scale		product family	
				enrg	M. MOSTOLLER 10/07/02	1:1		PwrBlade	
				chr	M. MOSTOLLER 10/07/02			code	
				appd	M. MOSTOLLER 10/07/02			213	
sheet index		revision sheet						sheet	
								2 of 4	

Pro/E

PDM: Rev: C

STATUS: Released

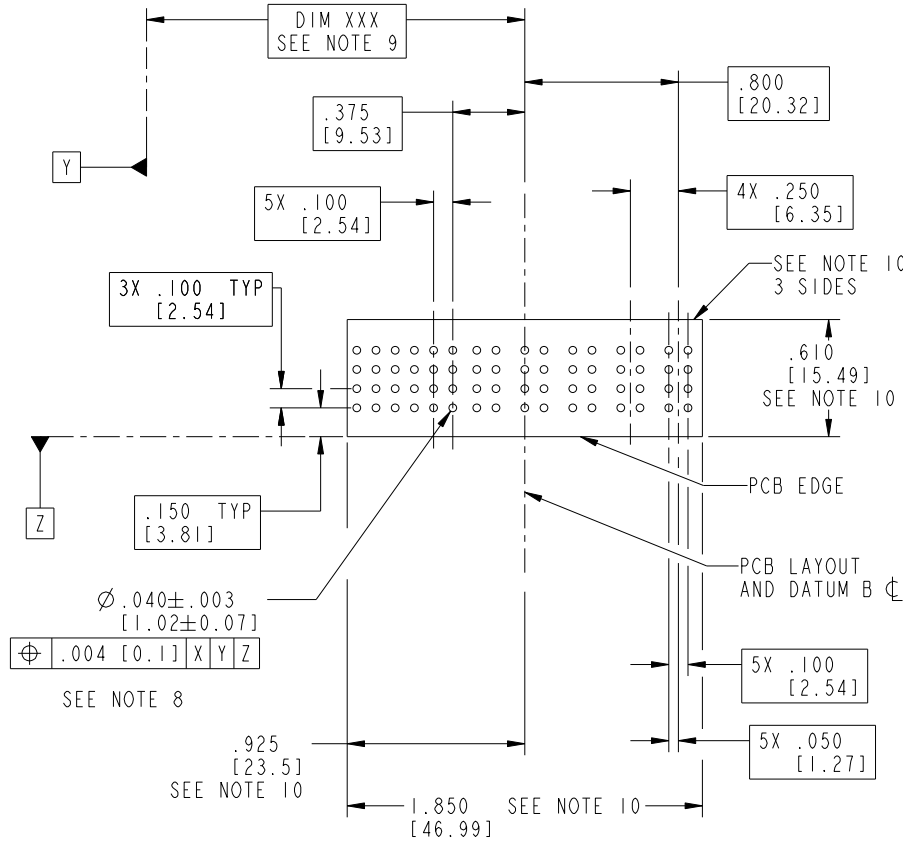
Printed: Dec 20, 2010

Tous droits strictement réservés. Reproduction ou communication a des tiers interdite sous quelque forme que ce soit sans autorisation écrite du propriétaire. Propriété de c FCI. Droits de reproduction FCI.



All rights strictly reserved. Reproduction or issue to third parties in any form whatever is not permitted without written authority from the proprietor. Property of FCI. Copyright FCI.

PRODUCT NUMBER  
51776-001--  
NOTE: ③



RECOMMENDED PCB LAYOUT

mat'l code		SEE NOTE 2		tolerances unless otherwise specified		CUSTOMER		FCI		www.fciconnect.com	
ltr	ecn no.	dr	date	linear	.XX±.01/0.X±0.3	COPY		projection		title	
C					.XX±.005/0.XX±0.13	INCH/MM		R/A SOLDER RECEPTACLE		5P + 24S	
				angles	.XXX±.002/0.XXX±0.051	scale		product family		code	
				dr	0°±2°	1:1		PwrBlade		213	
				enrg	T. BRUNGARD 10/07/02			size		sheet	
				chr	M. MOSTOLLER 10/07/02			A		3 of 4	
				appd	M. MOSTOLLER 10/07/02			51776-001			
sheet index	revision sheet										

Pro/E

PDM: Rev: C

STATUS: Released

Printed: Dec 20, 2010

cage code 28536

PRODUCT NUMBER

51776-001--  
NOTE: ③

NOTES:

1. DIMENSIONS AND TOLERANCES ARE IN ACCORDANCE WITH ASME Y14.5M, 1994 UNLESS OTHERWISE SPECIFIED.

CONNECTOR NOTES:

② HOUSING MATERIAL: UL 94 V-0 GLASS FILLED HIGH-TEMP THERMOPLASTIC  
POWER CONTACT MATERIAL: COPPER ALLOY  
SIGNAL PIN MATERIAL: COPPER ALLOY

△ ③. SEE ITEM 5 & 6 IN PRINT 10064183 FOR PLATING SPEC OF 51776-001 AND 51776-001LF RESPECTIVELY.

④ MANUFACTURER'S NAME, P/N, AND DATE CODE TO APPEAR ON THIS SURFACE.

5. PRODUCT SPECIFICATION GS-12-149.  
APPLICATION SPECIFICATION BUS-20-067.

PCB NOTES:

6. ALL HOLE DIAMETERS ARE FINISHED HOLE SIZE.

⑦ MOUNTING HOLES, WHERE APPLICABLE, ARE UNPLATED.

⑧  $\varnothing .0453 \pm .0010$  [1.151  $\pm$  0.025] DRILLED HOLES PLATED WITH  
.0003 [0.008] MIN SnPb OVER .001 [0.03]  
TO .003 [0.08] Cu PLATING TO ACHIEVE  
 $\varnothing .040 \pm .003$  [1.02  $\pm$  .07] HOLE.

⑨ "DIM XXX" TO BE DETERMINED BY THE CUSTOMER.

⑩ CONNECTOR KEEP-OUT ZONE.

11. A △ SYMBOL WILL BE NEXT TO ANY DIMENSION, VIEW, OR NOTE WHICH HAS BEEN MODIFIED WITH THE CURRENT DRAWING REVISION.

mat'l code		SEE NOTE 2		tolerances unless otherwise specified		CUSTOMER		FCJ		www.fciconnect.com	
ltr	ecn no.	dr	date	linear	.XX±.01/0.X±0.3	COPY		title			
C					.XX±.005/0.XX±0.13	projection		5P + 24S			
				angles	.XXX±.0020/0.XXX±0.051			R/A SOLDER RECEPTACLE			
				dr	T. BRUNGARD 10/07/02			product family		code	
				engr	M. MOSTOLLER 10/07/02	INCH/MM		PwrBlade		213	
				chr	M. MOSTOLLER 10/07/02	scale		size		sheet	
				appd	M. MOSTOLLER 10/07/02	1:1		A 51776-001		4 of 4	
sheet index		revision sheet									

Tous droits strictement réservés. Reproduction ou communication a des tiers interdite sous quelque forme que ce soit sans autorisation écrite du propriétaire. Propriété de c FCI. Droits de reproduction FCI.



All rights strictly reserved. Reproduction or issue to third parties in any form whatever is not permitted without written authority from the proprietor. Property of FCI. Copyright FCI.