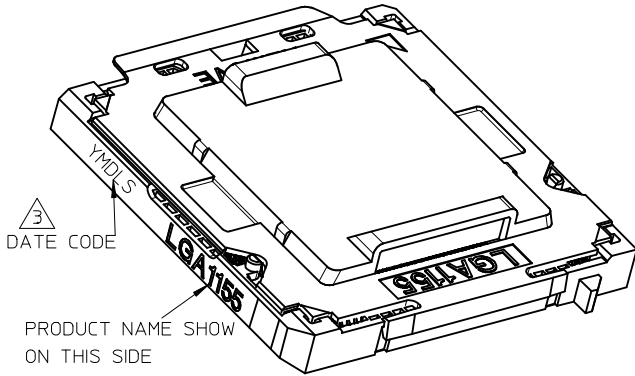
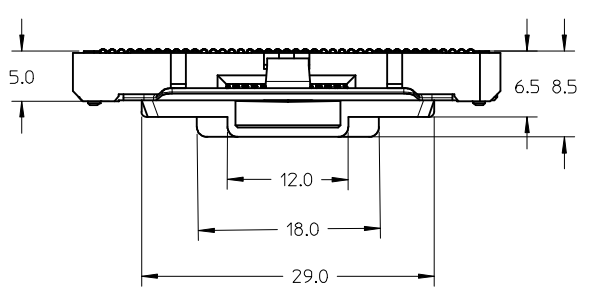
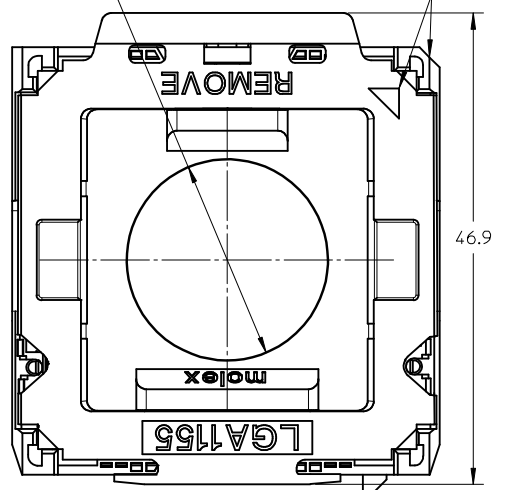


10 9 8 7 6 5 4 3 2 1

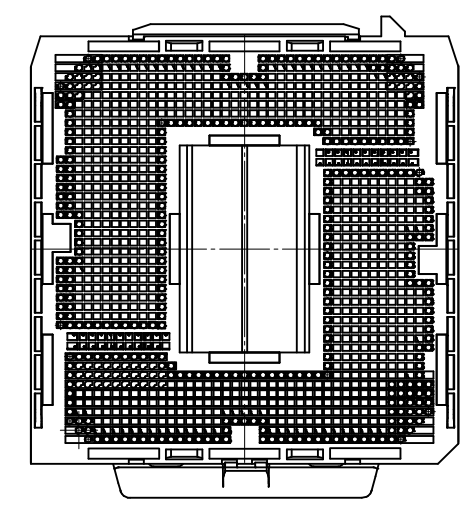
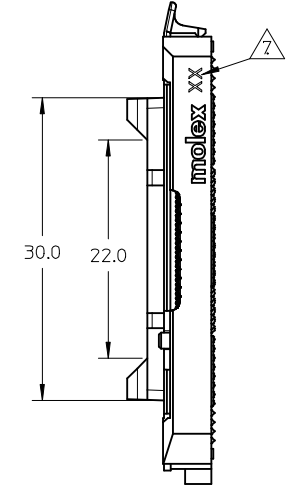


- NOTES:
- MATERIAL:
HOUSING AND CAP: HIGH TEMPERATURE THERMOPLASTIC, UL94V-0
CONTACT: HIGH STRENGTH COPPER ALLOY
SOLDER BALL: LEAD FREE SnAg3.0Cu0.5
 - PLATING:
50u" MIN. NICKEL AT PADDLE AND CONTACT AREA.
GOLD PLATING THICKNESS AT CONTACT AREA REFER TO TABLE.
 - DATE CODE "YMDLS" IS DEFINED AS:
"YEAR/MONTH/DAY/**".("***" IS MOLEX INTERNAL CONTROLLED).
 - 47596**** COMPLIANT TO RoHS DIRECTIVE 2002/95/EC AND ELV DIRECTIVE 2000/53/EC.
 - PRODUCT SPECIFICATION PS-47596-001 APPLIES.
 - PACKAGE DRAWING PK-47596-001 APPLIES.
 - "XX" IS FOR CAVITY # (MOLEX INTERNAL USE)

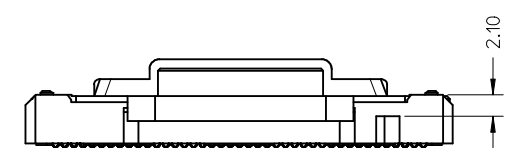
Ø20
PICK AND PLACE
IN THIS ZONE



TOP VIEW



BOTTOM VIEW



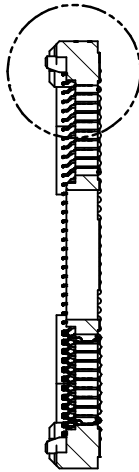
ENTER DESCRIPTION EC NO: SH2013-0312 DRWN: YXZHENG 2013/03/28 CHKD: APPR: AY IN 2013/04/16	QUALITY SYMBOLS F _A =0 F _C =0 F _P =0	GENERAL TOLERANCES (UNLESS SPECIFIED)		DIMENSION STYLE IN/MM	SCALE 2:1	DESIGN UNITS INCH	THIRD ANGLE PROJECTION	
			mm	INCH	DRAWN BY VLV	DATE 2008/12/11	TITLE LGA1155 SOCKET	
		4 PLACES	± ---	± ---	CHECKED BY JKACHL IC	DATE 2008/12/11	MOLEX INCORPORATED	
		3 PLACES	± ---	± ---	APPROVED BY	DATE	MATERIAL NO. SEE TABLE	DOCUMENT NO. SD-47596-200
		2 PLACES	± 0.25	± ---	SHEET NO. 1 OF 3			
		1 PLACE	± 0.25	± ---	THIS DRAWING CONTAINS INFORMATION THAT IS PROPRIETARY TO MOLEX INCORPORATED AND SHOULD NOT BE USED WITHOUT WRITTEN PERMISSION			
		ANGULAR ± 1 °						
DRAFT WHERE APPLICABLE MUST REMAIN WITHIN DIMENSIONS								

9 8 7 6 5 4 3 2 1

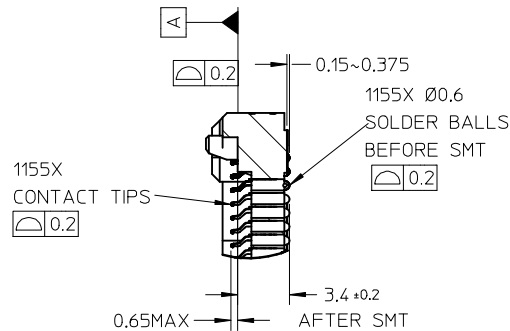
1155x CONTACT POINTS
FOR PACKAGE LANDS

$\varnothing 0.25$ A|B|C

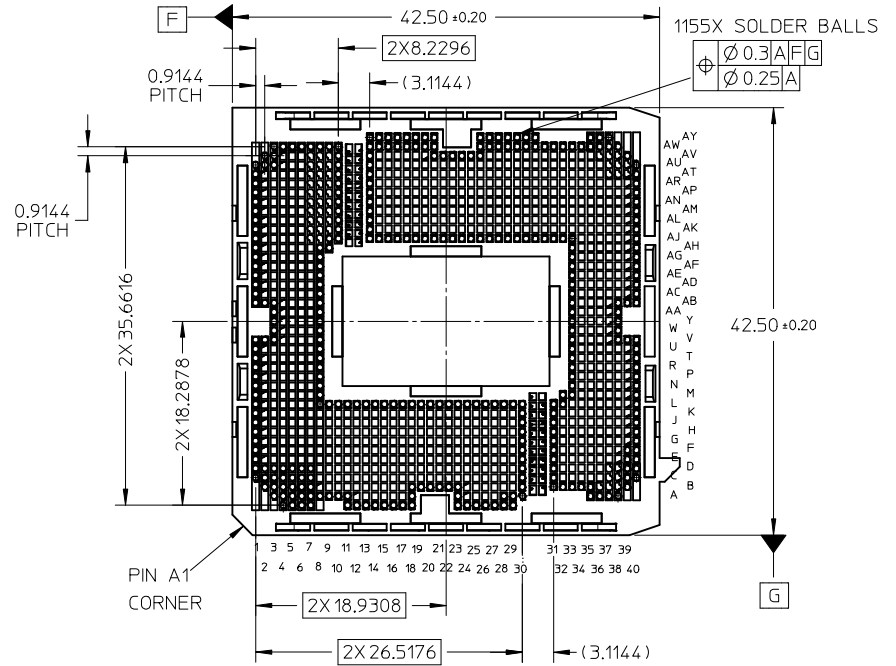
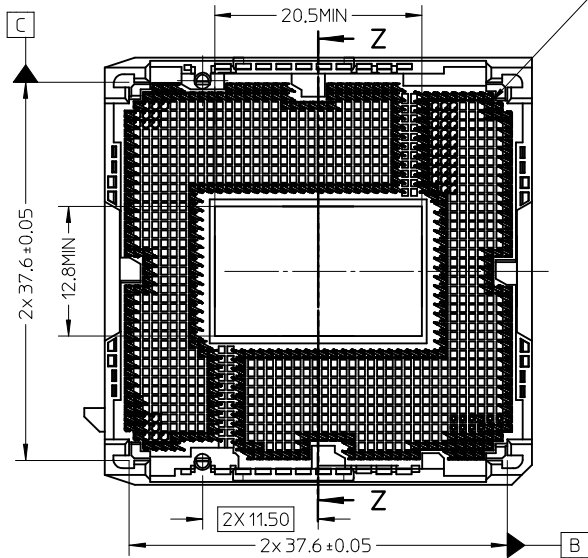
DETAIL1



SECTION Z-Z

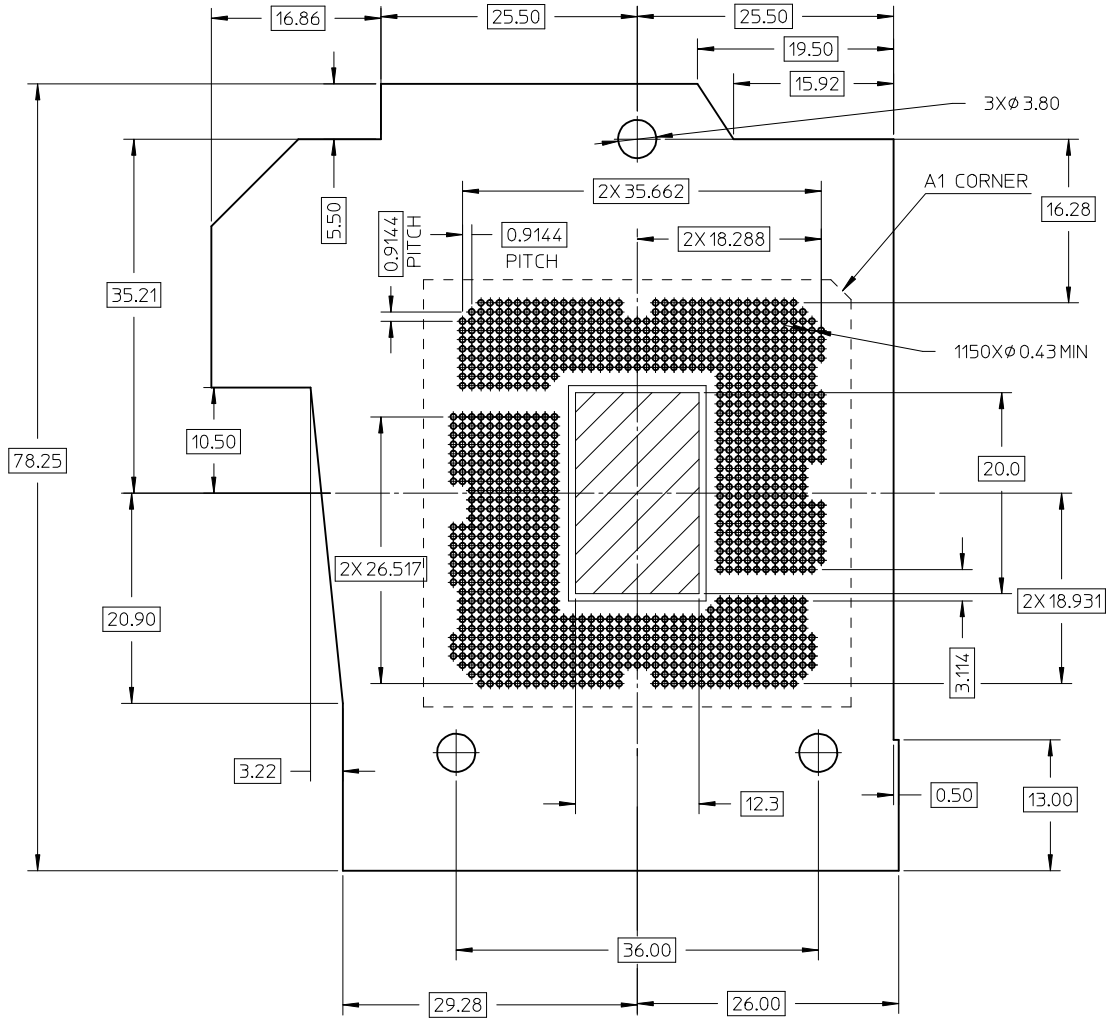


DETAIL1



PART NUMBER	PLATING THICKNESS ON CONTACT AREA
475960232	15u*(0.38um)MIN. GOLD
475960233	30u*(0.76um)MIN. GOLD

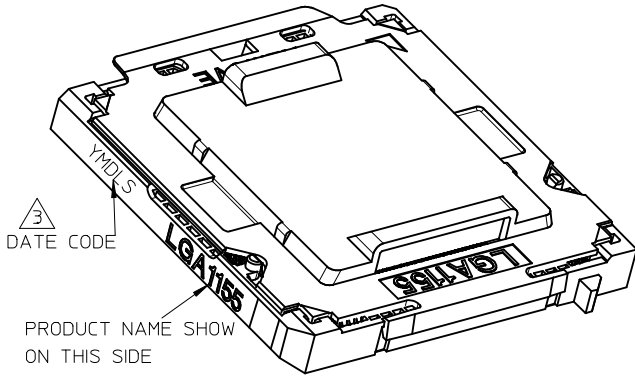
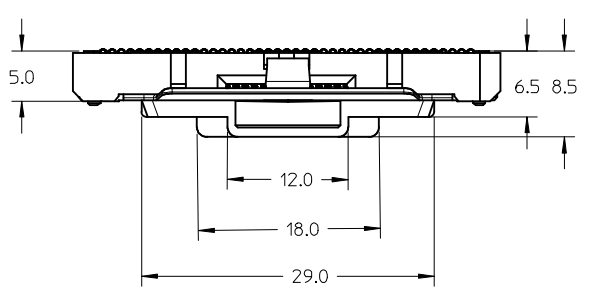
ENTER DESCRIPTION IEC NO: SH2013-0312 DRAWN: YXZHENG 2013/03/28 CHKD: APPR: AYIN 2013/04/16	QUALITY SYMBOLS F _A =0 F _E =0 F _B =0	GENERAL TOLERANCES (UNLESS SPECIFIED)		DIMENSION STYLE	SCALE	DESIGN UNITS	THIRD ANGLE PROJECTION
		mm	INCH	IN/MM	2:1	INCH	
DRAFT WHERE APPLICABLE MUST REMAIN WITHIN DIMENSIONS	4 PLACES	± ---	± ---	DRAWN BY	DATE	TITLE	
	3 PLACES	± ---	± ---	VLV	2008/12/11	LGA1155 SOCKET	
	2 PLACES	± 0.25	± ---	CHECKED BY	DATE	MOLEX INCORPORATED	
	1 PLACE	± 0.25	± ---	JKACHLIC	2008/12/11		
ANGULAR ± 1°		MATERIAL NO.		DOCUMENT NO.		SHEET NO.	
SEE TABLE		THIS DRAWING CONTAINS INFORMATION THAT IS PROPRIETARY TO MOLEX INCORPORATED AND SHOULD NOT BE USED WITHOUT WRITTEN PERMISSION		SD-47596-200		2 OF 3	



PCB TOP SIDE KEEP OUT ZONE LAYOUT
FOR REFERENCE

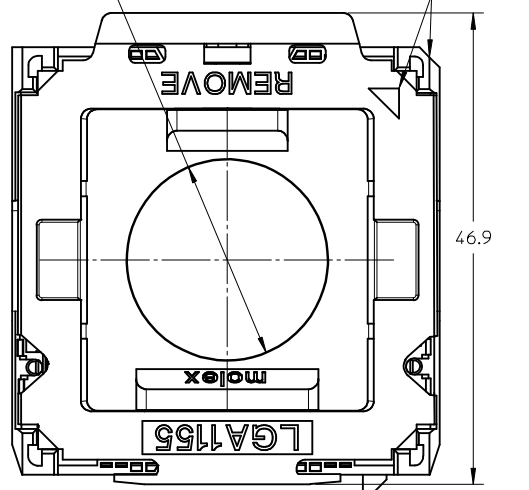
ENTER DESCRIPTION EC NO: SH2013-0312 DRWN: YXZHENG 2013/03/28 CHKD: APPR: AYIN 2013/04/16 REV	QUALITY SYMBOLS	GENERAL TOLERANCES (UNLESS SPECIFIED)	DIMENSION STYLE IN/MM	SCALE 2:1	DESIGN UNITS INCH	THIRD ANGLE PROJECTION																										
	$F_A = 0$ $F_C = 0$ $F_P = 0$	<table border="1"> <thead> <tr> <th></th> <th>mm</th> <th>INCH</th> </tr> </thead> <tbody> <tr> <td>4 PLACES</td> <td>± ---</td> <td>± ---</td> </tr> <tr> <td>3 PLACES</td> <td>± ---</td> <td>± ---</td> </tr> <tr> <td>2 PLACES</td> <td>± 0.25</td> <td>± ---</td> </tr> <tr> <td>1 PLACE</td> <td>± 0.25</td> <td>± ---</td> </tr> </tbody> </table>		mm	INCH	4 PLACES	± ---	± ---	3 PLACES	± ---	± ---	2 PLACES	± 0.25	± ---	1 PLACE	± 0.25	± ---	<table border="1"> <thead> <tr> <th>mm</th> <th>INCH</th> </tr> </thead> <tbody> <tr> <td>± 0.25</td> <td>± 0.010</td> </tr> <tr> <td>± 0.15</td> <td>± 0.006</td> </tr> <tr> <td>± 0.10</td> <td>± 0.004</td> </tr> <tr> <td>± 0.05</td> <td>± 0.002</td> </tr> </tbody> </table>	mm	INCH	± 0.25	± 0.010	± 0.15	± 0.006	± 0.10	± 0.004	± 0.05	± 0.002	DRAWN BY: VLV DATE: 2008/12/11 CHECKED BY: JKACHLIC DATE: 2008/12/11 APPROVED BY:	TITLE LGA1155 SOCKET		
		mm	INCH																													
	4 PLACES	± ---	± ---																													
3 PLACES	± ---	± ---																														
2 PLACES	± 0.25	± ---																														
1 PLACE	± 0.25	± ---																														
mm	INCH																															
± 0.25	± 0.010																															
± 0.15	± 0.006																															
± 0.10	± 0.004																															
± 0.05	± 0.002																															
DRAFT WHERE APPLICABLE MUST REMAIN WITHIN DIMENSIONS	MATERIAL NO. SEE TABLE	DOCUMENT NO. SD-47596-200	MOLEX INCORPORATED SHEET NO. 3 OF 3																													
THIS DRAWING CONTAINS INFORMATION THAT IS PROPRIETARY TO MOLEX INCORPORATED AND SHOULD NOT BE USED WITHOUT WRITTEN PERMISSION																																

10 9 8 7 6 5 4 3 2 1

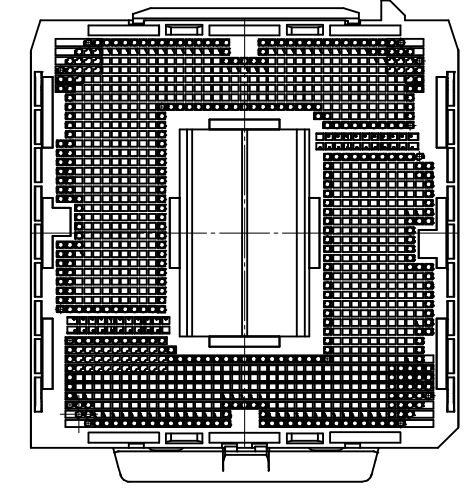
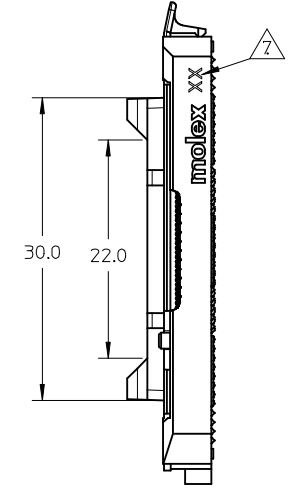


- NOTES:
- MATERIAL:
HOUSING AND CAP: HIGH TEMPERATURE THERMOPLASTIC, UL94V-0
CONTACT: HIGH STRENGTH COPPER ALLOY
SOLDER BALL: LEAD FREE SnAg3.0Cu0.5
 - PLATING:
50u" MIN. NICKEL AT PADDLE AND CONTACT AREA.
GOLD PLATING THICKNESS AT CONTACT AREA REFER TO TABLE.
 - DATE CODE "YMDLS" IS DEFINED AS:
"YEAR/MONTH/DAY/**".("***" IS MOLEX INTERNAL CONTROLLED).
 - 47596**** COMPLIANT TO RoHS DIRECTIVE 2002/95/EC AND ELV DIRECTIVE 2000/53/EC.
 - PRODUCT SPECIFICATION PS-47596-001 APPLIES.
 - PACKAGE DRAWING PK-47596-001 APPLIES.
 - "XX" IS FOR CAVITY # (MOLEX INTERNAL USE)

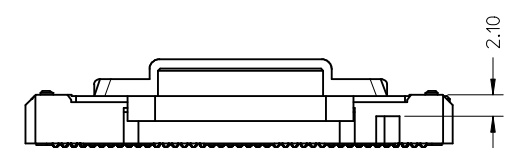
Ø 20
PICK AND PLACE
IN THIS ZONE



TOP VIEW



BOTTOM VIEW



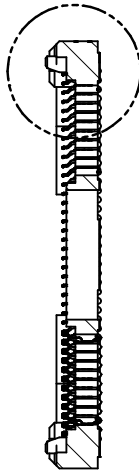
ENTER DESCRIPTION EC NO: SH2013-0312 DRWN: YXZHENG 2013/03/28 CHKD: APPR: AY IN 2013/04/16	QUALITY SYMBOLS	GENERAL TOLERANCES (UNLESS SPECIFIED)		DIMENSION STYLE IN/MM		SCALE 2:1	DESIGN UNITS INCH	THIRD ANGLE PROJECTION
	$F_A=0$	4 PLACES	mm	INCH	DRAWN BY VLV	DATE 2008/12/11	TITLE LGA1155 SOCKET	
	$F_G=0$	3 PLACES	± ---	± ---	CHECKED BY JKACHL IC	DATE 2008/12/11	MOLEX INCORPORATED	
	$F_P=0$	2 PLACES	± 0.25	± ---	APPROVED BY	DATE	MATERIAL NO. SEE TABLE	DOCUMENT NO. SD-47596-200
		1 PLACE	± 0.25	± ---	ANGULAR ± 1 °		THIS DRAWING CONTAINS INFORMATION THAT IS PROPRIETARY TO MOLEX INCORPORATED AND SHOULD NOT BE USED WITHOUT WRITTEN PERMISSION	
		DRAFT WHERE APPLICABLE MUST REMAIN WITHIN DIMENSIONS		SIZE A3				

9 8 7 6 5 4 3 2 1

1155x CONTACT POINTS
FOR PACKAGE LANDS

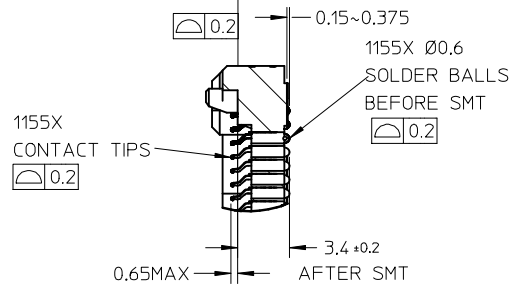
$\varnothing 0.25$ A|B|C

DETAIL1

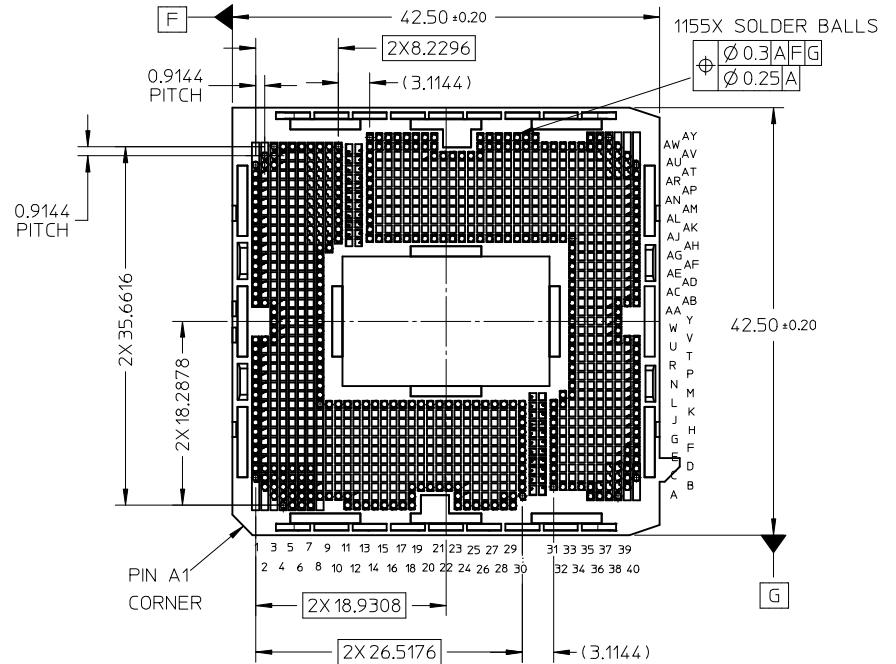
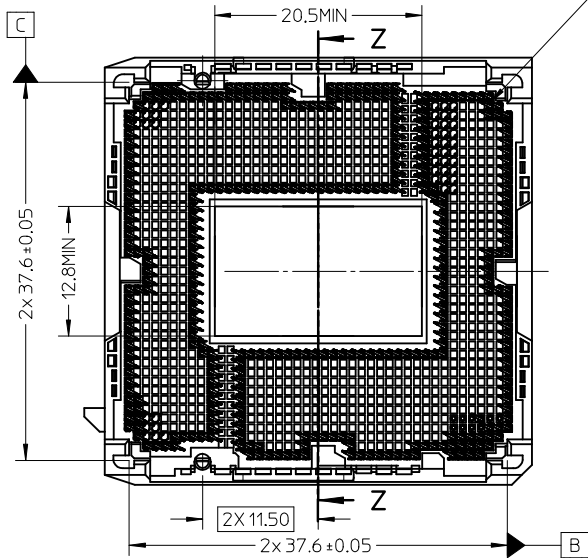


SECTION Z-Z

A

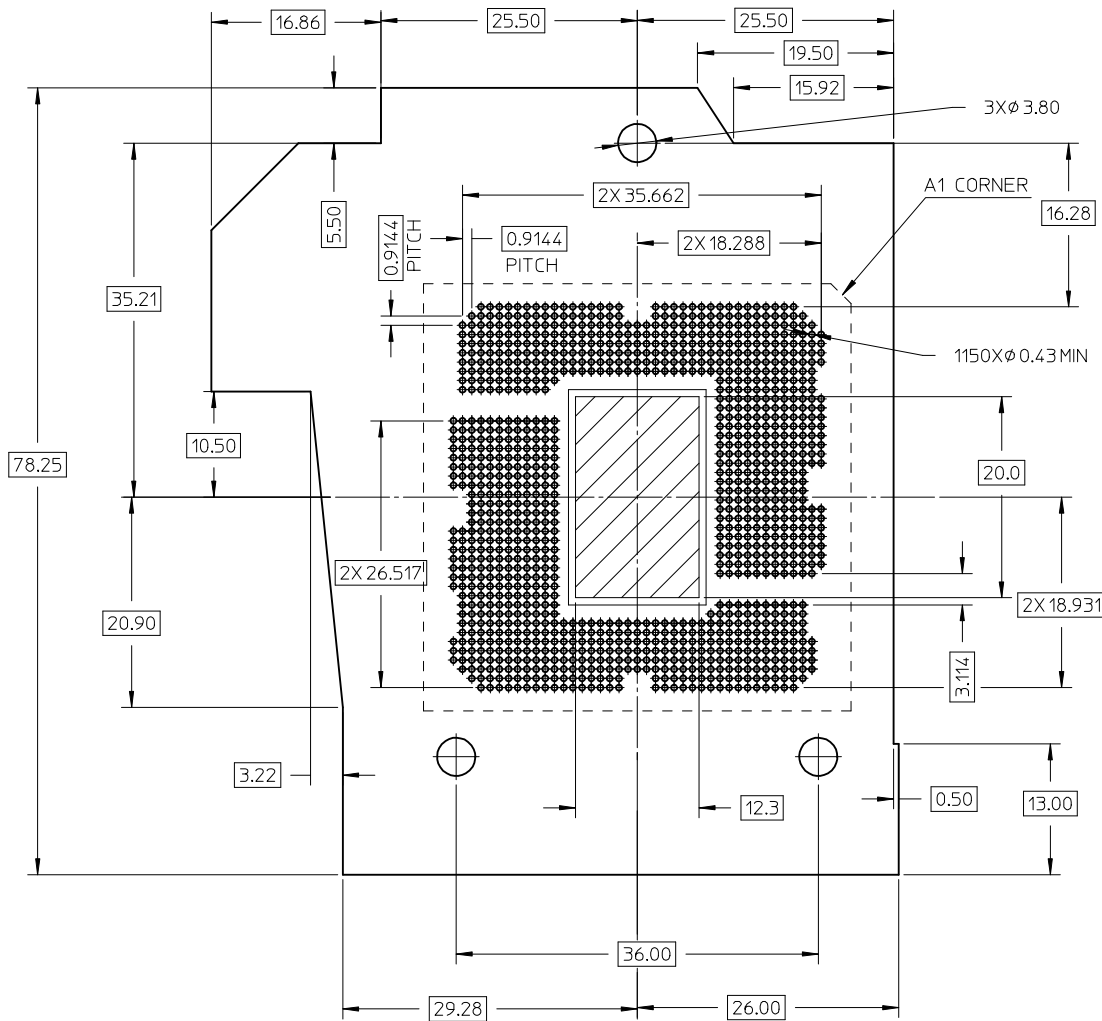


DETAIL1



PART NUMBER	PLATING THICKNESS ON CONTACT AREA
475960232	15u*(0.38um)MIN. GOLD
475960233	30u*(0.76um)MIN. GOLD

ENTER DESCRIPTION IEC NO: SH2013-0312 DRAWN: YXZHENG 2013/03/28 CHKD: APPR: AYIN 2013/04/16	QUALITY SYMBOLS F _A =0 F _E =0 F _B =0	GENERAL TOLERANCES (UNLESS SPECIFIED)		DIMENSION STYLE	SCALE	DESIGN UNITS	THIRD ANGLE PROJECTION
		mm	INCH	IN/MM	2:1	INCH	
DRAFT WHERE APPLICABLE MUST REMAIN WITHIN DIMENSIONS	4 PLACES	± ---	± ---	DRAWN BY	DATE	TITLE	
	3 PLACES	± ---	± ---	VLV	2008/12/11	LGA1155 SOCKET	
	2 PLACES	± 0.25	± ---	CHECKED BY	DATE	MOLEX INCORPORATED	
	1 PLACE	± 0.25	± ---	JKACHLIC	2008/12/11		
ANGULAR ± 1°				APPROVED BY	DATE	MATERIAL NO.	DOCUMENT NO.
				SEE TABLE		SD-47596-200	SHEET NO.
				THIS DRAWING CONTAINS INFORMATION THAT IS PROPRIETARY TO MOLEX INCORPORATED AND SHOULD NOT BE USED WITHOUT WRITTEN PERMISSION		2 OF 3	



PCB TOP SIDE KEEP OUT ZONE LAYOUT FOR REFERENCE

ENTER DESCRIPTION EC NO: SH2013-0312 DRWN: YXZHENG 2013/03/28 CHKD: APPR: AYIN 2013/04/16 REV	QUALITY SYMBOLS	GENERAL TOLERANCES (UNLESS SPECIFIED)	DIMENSION STYLE IN/MM	SCALE 2:1	DESIGN UNITS INCH	THIRD ANGLE PROJECTION																																													
	$F_A = 0$ $F_C = 0$ $F_P = 0$	<table border="1"> <thead> <tr> <th></th> <th>mm</th> <th>INCH</th> </tr> </thead> <tbody> <tr> <td>4 PLACES</td> <td>± ---</td> <td>± ---</td> </tr> <tr> <td>3 PLACES</td> <td>± ---</td> <td>± ---</td> </tr> <tr> <td>2 PLACES</td> <td>± 0.25</td> <td>± ---</td> </tr> <tr> <td>1 PLACE</td> <td>± 0.25</td> <td>± ---</td> </tr> </tbody> </table>		mm	INCH	4 PLACES	± ---	± ---	3 PLACES	± ---	± ---	2 PLACES	± 0.25	± ---	1 PLACE	± 0.25	± ---	<table border="1"> <thead> <tr> <th colspan="2">DRAWN BY</th> <th>DATE</th> <th colspan="2">TITLE</th> </tr> </thead> <tbody> <tr> <td colspan="2">VLV</td> <td>2008/12/11</td> <td colspan="2">LGA1155 SOCKET</td> </tr> <tr> <th colspan="2">CHECKED BY</th> <th>DATE</th> <td colspan="2"></td> </tr> <tr> <td colspan="2">JKACHLIC</td> <td>2008/12/11</td> <td colspan="2"></td> </tr> <tr> <th colspan="2">APPROVED BY</th> <th>DATE</th> <td colspan="2"></td> </tr> <tr> <td colspan="2"></td> <td></td> <td colspan="2"></td> </tr> </tbody> </table>	DRAWN BY		DATE	TITLE		VLV		2008/12/11	LGA1155 SOCKET		CHECKED BY		DATE			JKACHLIC		2008/12/11			APPROVED BY		DATE										
		mm	INCH																																																
	4 PLACES	± ---	± ---																																																
3 PLACES	± ---	± ---																																																	
2 PLACES	± 0.25	± ---																																																	
1 PLACE	± 0.25	± ---																																																	
DRAWN BY		DATE	TITLE																																																
VLV		2008/12/11	LGA1155 SOCKET																																																
CHECKED BY		DATE																																																	
JKACHLIC		2008/12/11																																																	
APPROVED BY		DATE																																																	
	ANGULAR ± 1 °	DRAFT WHERE APPLICABLE MUST REMAIN WITHIN DIMENSIONS	MATERIAL NO. SEE TABLE	DOCUMENT NO. SD-47596-200	SHEET NO. 3 OF 3																																														
			SIZE A3	THIS DRAWING CONTAINS INFORMATION THAT IS PROPRIETARY TO MOLEX INCORPORATED AND SHOULD NOT BE USED WITHOUT WRITTEN PERMISSION																																															