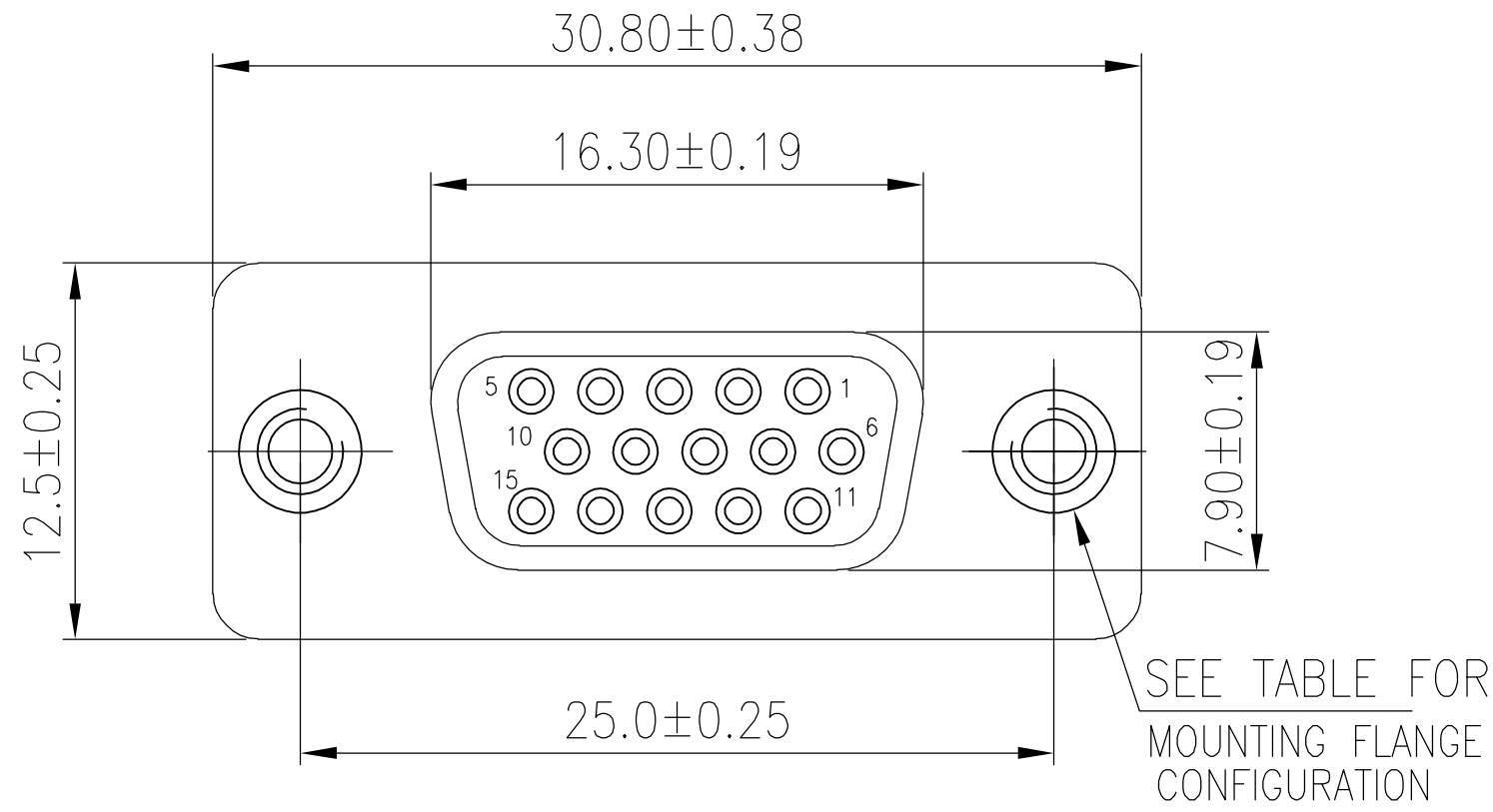


THIS DRAWING IS UNPUBLISHED. RELEASED FOR PUBLICATION  
 © COPYRIGHT BY TYCO ELECTRONICS CORPORATION. ALL RIGHTS RESERVED.

LOC		DIST		REVISIONS			
P	LTR	DESCRIPTION		DATE	DWN	APVD	
GP	00	0		RELEASED PER EC 0514-0056-05	17JUN05	BM SB	

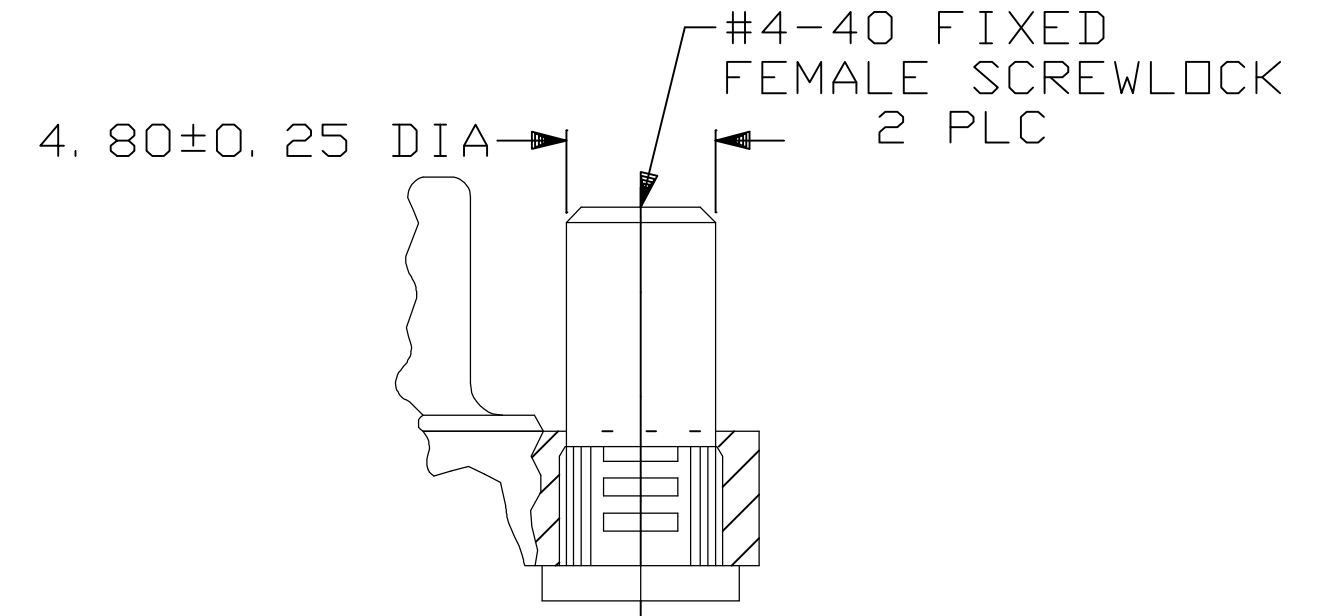
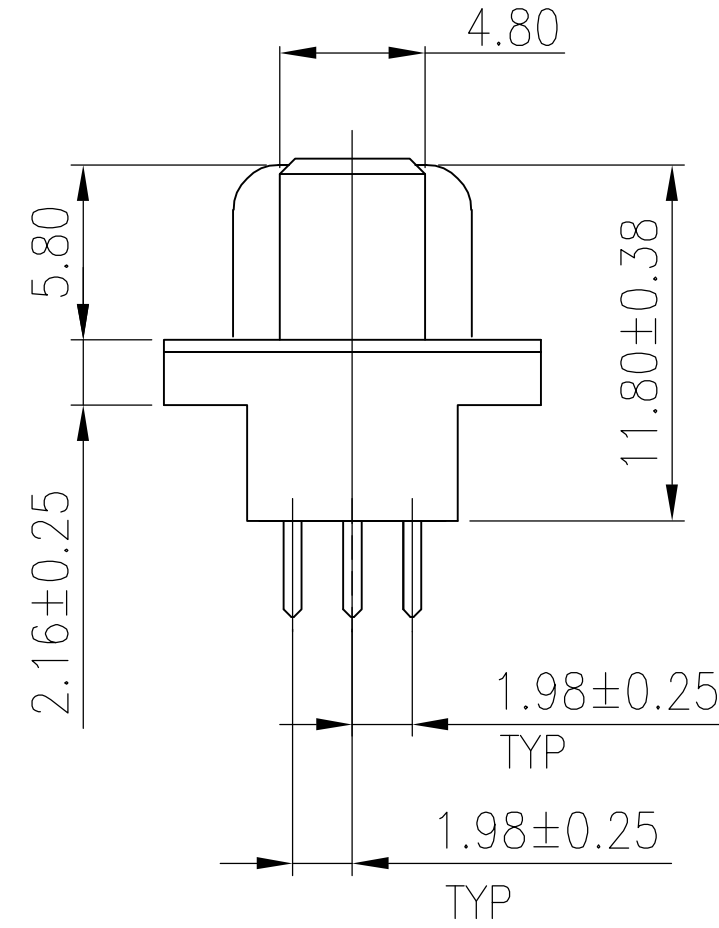
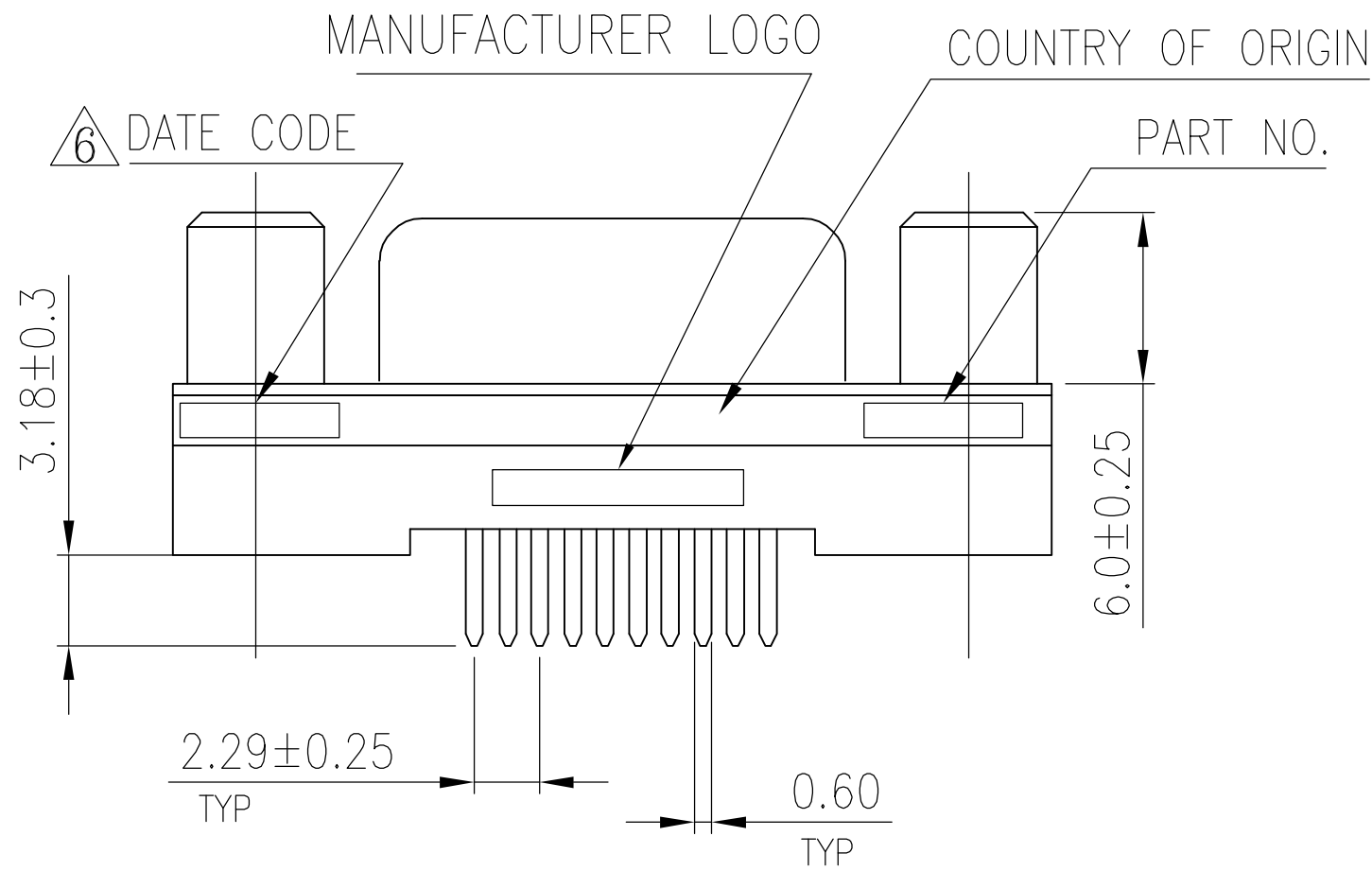


- HOUSING MATERIAL: PBT, GLASS FILLED, BLACK, UL 94V-0 RATED.
- CONTACT MATERIAL: PHOSPHOR BRONZE.
- CONTACT FINISH: GOLD PLATE IN MATING AREA (SEE TABLE), 120μ" MIN TIN PLATE ON SOLDER TAIL, BOTH OVER 50μ" MIN NICKEL UNDERPLATE.
- SHELL: STEEL, NICKEL PLATE.
- FEMALE SCREWLOCKS: BRASS, NICKEL PLATE.

△6 FOUR DIGIT DATE CODE IN THIS FORMAT.

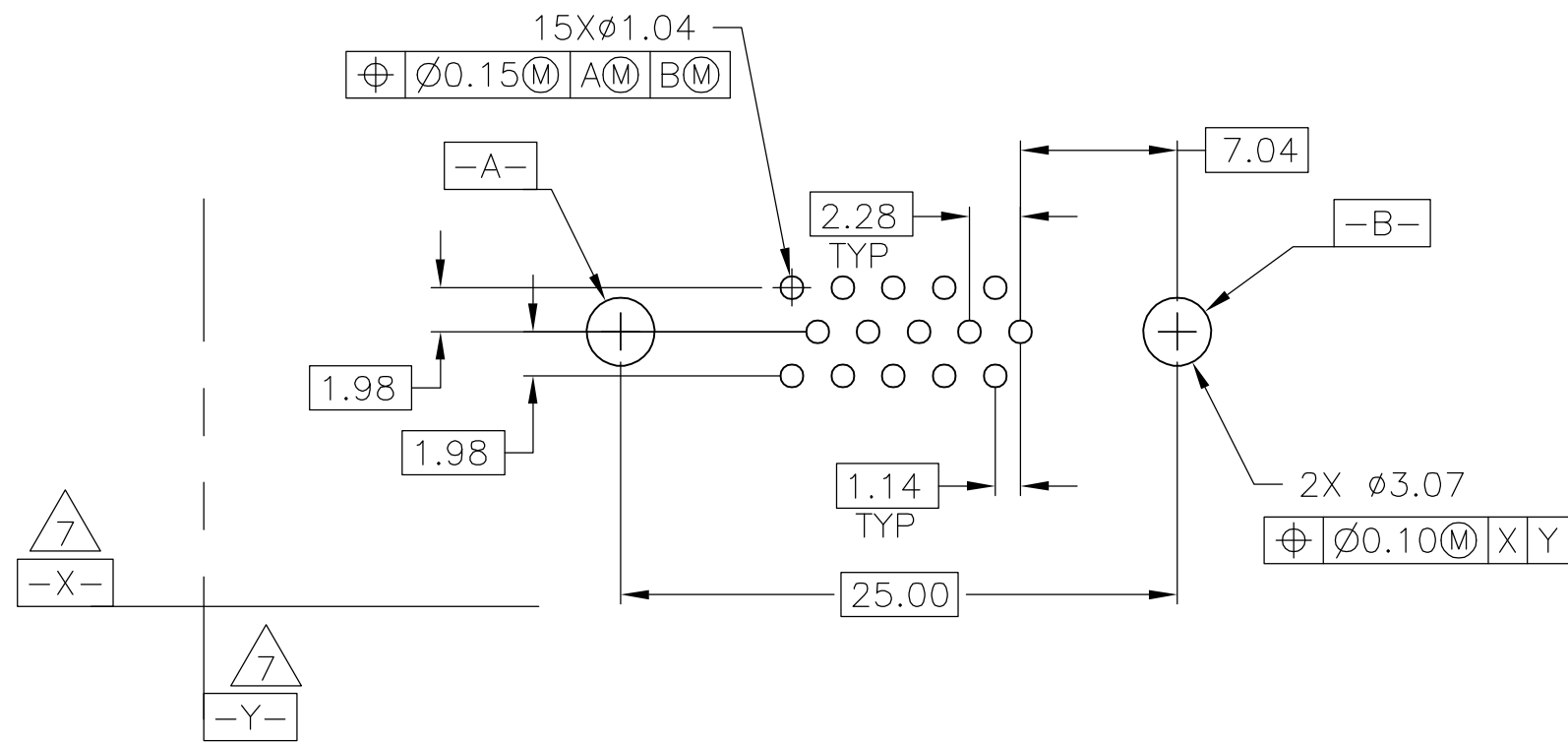
Year 01 45 Manufacturing Week

△7 DATUMS [-X-] & [-Y-] TO BE ESTABLISHED BY CUSTOMER.



Detail A

Tray	Detail A	Gold flash	5786356-4
Tray	Detail A	15μ" MIN	5786356-3
Tray	Detail A	30μ" MIN	5786356-1
Packaging	Mounting Flange Configuration	CONTACT MATING AREA FINISH	PART NUMBER



DIMENSIONS:		TOLERANCES UNLESS OTHERWISE SPECIFIED:		DWN		22SEP05		tyco Electronics		Tyco Electronics Corporation	
mm		0 PLC	± -	B. MCMASTER	22SEP05	NAME		Harrisburg, PA 17105-3608			
		1 PLC	± 0.30	CHK	22SEP05	PRODUCT SPEC		AMPLIMITE HD-22			
		2 PLC	± 0.20	S. BOLASH		APPLICATION SPEC		15 POS RECEPTACLE, VERTICAL			
		3 PLC	± 0.10	APVD	22SEP05	WEIGHT		SIZE	CAGE CODE	DRAWING NO	RESTRICTED TO
		4 PLC	± -	M. WALMSLEY		-		A2	00779	C=5786356	-
		ANGLES	± 2'	PRODUCT SPEC		CUSTOMER DRAWING		SCALE	SHEET	REV	
		FINISH	-			-		1:1	1 of 1	0	