

# LightOWL® Passive Infrared Outdoor Sensor

CEILING AND WALL MOUNT OCCUPANCY SENSORS

TITLE  
24  
COMPLIANCE



LISTED



IP66

NEMA  
4X  
RATING



LOIRWVRP-LWO

## PROJECT INFORMATION

Project Name \_\_\_\_\_

Catalog No. \_\_\_\_\_

Date \_\_\_\_\_

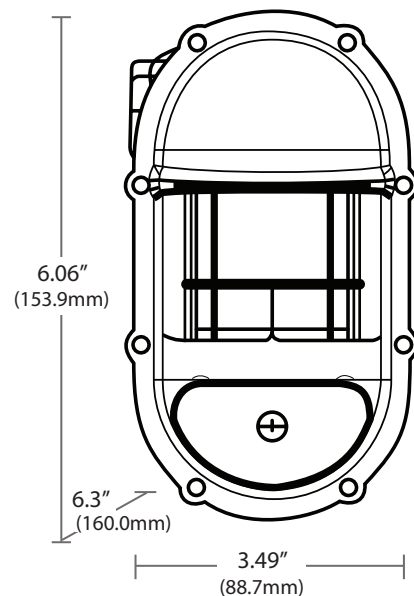
The LightOWL Passive Infrared Outdoor Sensor sensor uses passive infrared (PIR) technology to turn lighting on and off based on occupancy. Designed specifically for areas with long-range major-motion activity, this sensor features Hubbell Controls' patented IntelliDAPT® technology, which makes all the sensor adjustments automatically.

Throughout the product's lifespan, IntelliDAPT software analyzes the controlled area and makes digital adjustments to sensitivity and timer settings. Occupancy sensors with IntelliDAPT technology provide a maintenance-free install-and-forget operation.

This sensor was created to provide tough energy management controls for elemental and demanding environments where traditional products may not survive.

## PRODUCT FEATURES

- IntelliDAPT self-adaptive technology—no manual adjustment required
- All-digital dual technology passive infrared [PIR] sensor
- Non-volatile memory for sensor settings
- 1,600 square-foot coverage area
- Relay and photocell control
- UL and cUL listed
- California Title 24 compliant
- Five-year limited warranty
- Low voltage device: 24 Vdc
- Operating temperature range from -40°F to 149°F (-40°C to 65°C)
- Outdoor rated



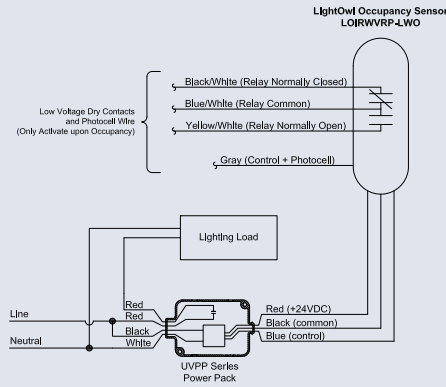
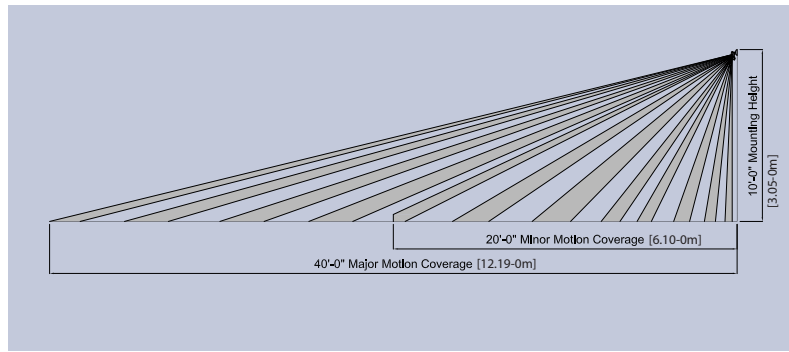
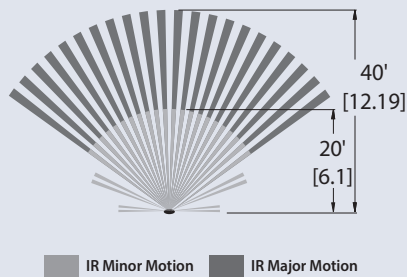
**HUBBELL®**  
Control Solutions

701 Millennium Blvd. | Greenville, SC 29607 | 864-678-1000 | 866-898-0131 fax | www.hubbellcontrolsolutions.com



1504A 042417

Copyright © 2017 Hubbell Control Solutions, a division of Hubbell Lighting, Inc. Subject to change without notice. Trademarks are property of their respective owners.



## General Specifications

IntelliDAPT® Technology	Auto reset from test setting Self-adjusting timer Automatic false-on/false-off corrections
LED lamp	Red - infrared motion
Timer Timeout	Automatic mode: 8–30 minutes (self-adjusts based on occupancy) Test mode: 8 seconds (for an easy check at installation)
Passive infrared (PIR)	Dual-element pyrometer and 12-element cylindrical rugged lens
RP option only available	Relay and photocell included Relay: N/O + N/C contacts; SPDT; 500 mA rated @ 24 VDC; three-wire isolated relay Photocell: adjustable natural-light override ranges from 0 to 100 foot-candles (0–1,000 lux) Factory set at 3,000 lux (disable photocell)
Coverage	LOIR-LWO: 1,600 square feet (487.68 square meters)
Power requirements	24VDC, 33 mA (uses UVPP and MP-Series power pack—not included)
Output	24VDC active high-logic control signal with short circuit protection and optional dry contact (see: RP Option)
Operating environment	Indoor and outdoor use Operating temperature range from -40°F to 149°F (-40°C to 65°C)
Construction	Casing – Rugged, high-impact, injection-molded plastic KJB ABS Cyclocac (UL-945VA) Color-coded leads are 6" long (152.4mm)
Dimensions	6.06" H x 3.49" W x 6.3" D (153.9mm H x 88.7mm W x 160.0mm D)
Weight	Not yet known
Color	Gray
Mounting	Mounting base provided Recommended MAX mounting height: 12ft. (3.66m)
Certifications	UL, cUL listed, IP66, NEMA4X
Warranty	Five-year limited

## Ordering Information

MODEL	DESCRIPTION	ENVIRONMENT
LO	IRWVRP Passive Infrared, Wide View lens with Form C Contacts and Photocell	LWO Outdoor Version

**HUBBELL®**  
Control Solutions

701 Millennium Blvd. | Greenville, SC 29607 | 864-678-1000 | 866-898-0131 fax | www.hubbellcontrolsolutions.com

Copyright © 2017 Hubbell Control Solutions, a division of Hubbell Lighting, Inc. Subject to change without notice. Trademarks are property of their respective owners.



1504A 042417