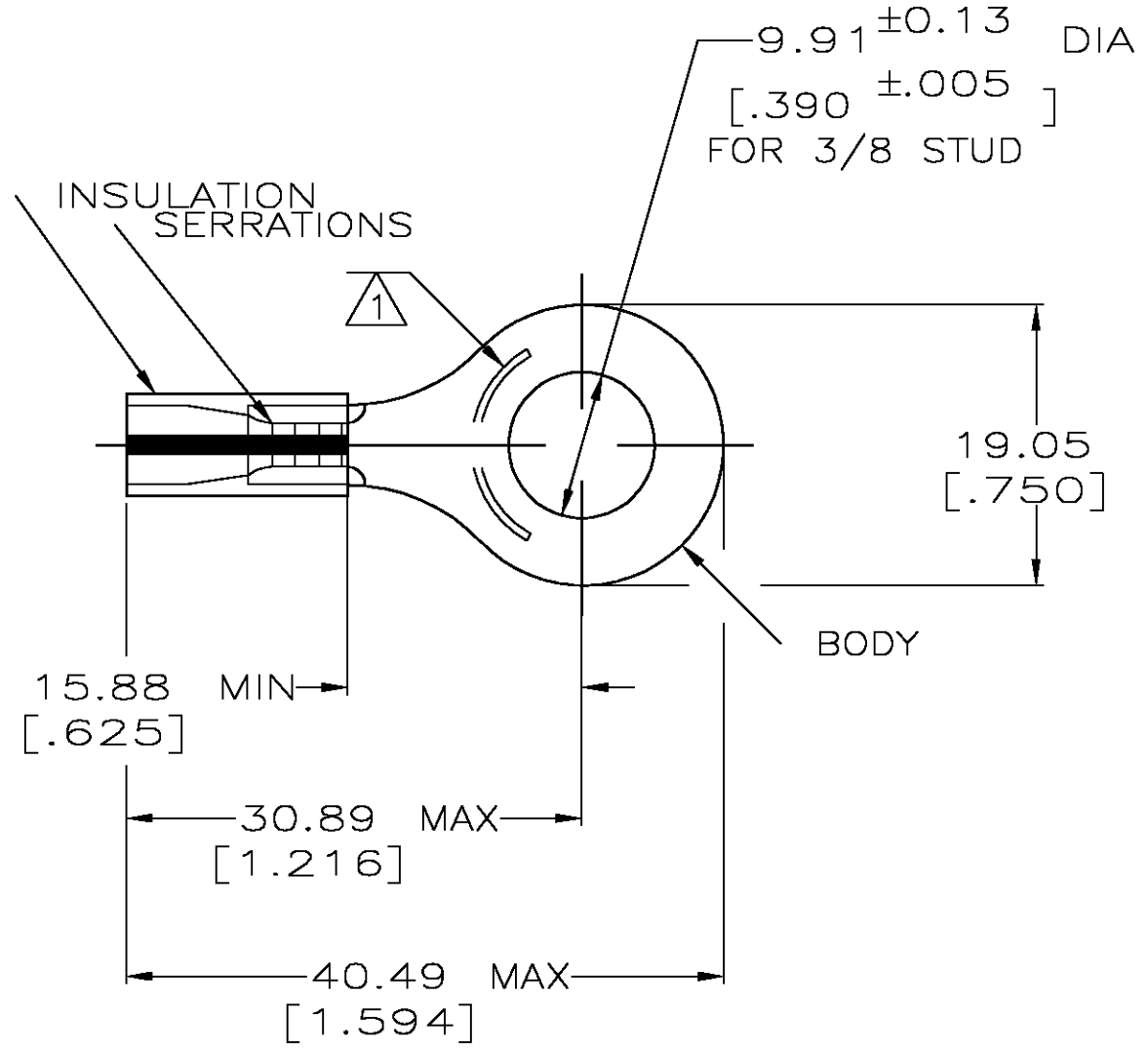


THIS DRAWING IS UNPUBLISHED. RELEASED FOR PUBLICATION
 © COPYRIGHT BY TYCO ELECTRONICS CORPORATION. ALL RIGHTS RESERVED.

| LOC | DIST | REVISIONS | | | | | |
|-----|------|-----------|-----|----------------------|---------|-----|------|
| | | P | LTR | DESCRIPTION | DATE | DWN | APVD |
| G | 14 | | E | REV PER 0G3A-0656-04 | 20AUG04 | JR | TM |

| | | |
|----------------------------------|----------------------------------|----------------------------------|
| AMP WIRE RANGE | Listed FILE E13288 | LR7189 Certified |
| 16-14HD AWG SOLID OR STRANDED | 16-14HD AWG SOLID OR STRANDED | 16-14HD AWG SOLID OR STRANDED |



- 1 STAMP AMP 16-14HD* APPROX AS SHOWN
- 2 WIRE INSULATION DIA: .105-.200
- 3 TONGUE MATERIAL THK: 1.22^{±0.05} [.048^{±.002}]
- 4 MATERIAL: BODY - CU PER ASTM B152
SLEEVE - PVC,
COLOR - YELLOW W/BLK STRIPE

| | | |
|-----|--------------|----------|
| - | LOOSE PIECE | 34826 |
| QTY | PACKAGE TYPE | PART NO. |

| | | |
|--|--|---|
| AMP INCORPORATED CUSTOMER SERVICE SYSTEMS | | MAX RECOMMENDED OPERATING TEMPERATURE: 105°C [221°F] |
| FOR ADDITIONAL PRODUCT INFORMATION OR COPIES OF DRAWINGS AND TECHNICAL DOCUMENTS | PRODUCT INFORMATION CENTER 1-800-522-6752 | VOLTAGE RATING: N/A |
| FOR APPLICATION TOOLING INFORMATION | TOOLING ASSISTANCE CENTER 1-800-722-1111 | CIRCULAR MIL AREA: 1.04-2.62mm ² [2,050-5,180] SOLID OR STRANDED |
| FOR ORDER ENTRY | 1-800-526-5142 | THIS DRAWING IS A CONTROLLED DOCUMENT FOR AMP INCORPORATED. IT IS SUBJECT TO CHANGE AND THE CONTROLLING ENGINEERING ORGANIZATION SHOULD BE CONTACTED FOR THE LATEST REVISION. |

| | |
|--|--|
| THIS DRAWING IS A CONTROLLED DOCUMENT. | |
| DIMENSIONS: MM[INCHES] | TOLERANCES UNLESS OTHERWISE SPECIFIED: |
| | 0 PLC ± - |
| | 1 PLC ± - |
| | 2 PLC ± 0.20[.008] |
| | 3 PLC ± - |
| | 4 PLC ± - |
| | ANGLES ± - |
| MATERIAL | FINISH |
| | TIN PER ASTM B545 |

| | | |
|-----------------------------------|---|--------------------|
| DWN DK SCHRUM 09/29/92 | Tyco Electronics Corporation Harrisburg, Pa 17105-3608 | |
| CHK RE HERSEY 11/10/92 | NAME TERMINAL, RING TONGUE, PLASTI-GRIP | |
| APVD M BARNABA 11/10/92 | PRODUCT SPEC 108-1034 | |
| APPLICATION SPEC NOT AVAILABLE | SIZE A3 | CAGE CODE 00779 |
| WEIGHT - | DRAWING NO C-34826 | RESTRICTED TO - |
| CUSTOMER DRAWING | | SCALE 2:1 |
| | | SHEET 1 OF 1 |
| | | REV E |