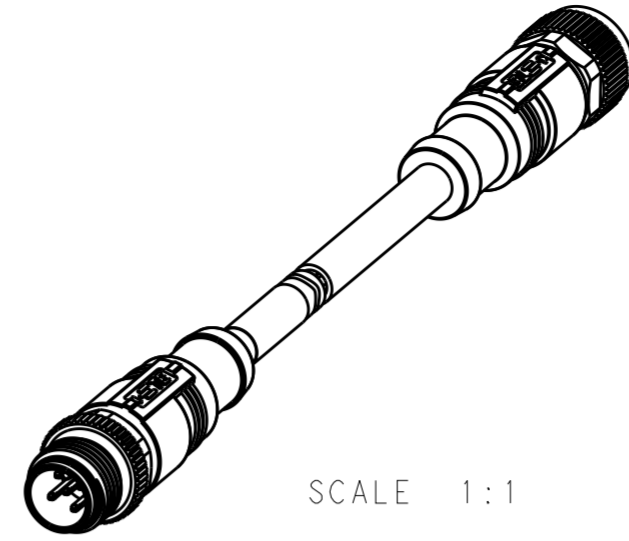


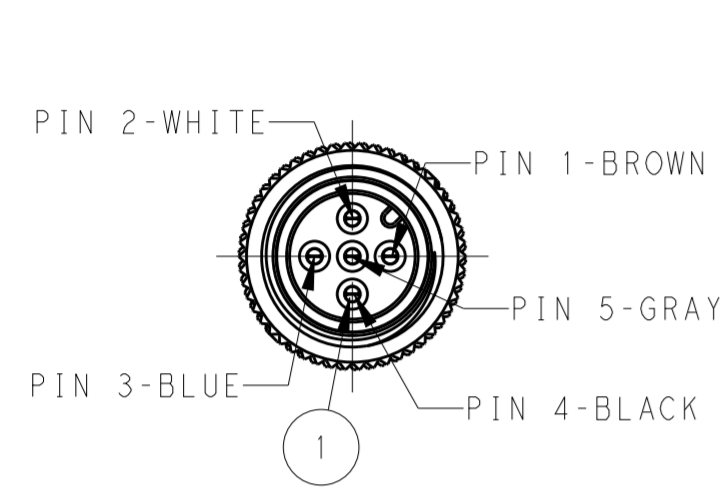
THIS DRAWING IS UNPUBLISHED. RELEASED FOR PUBLICATION 20
 © COPYRIGHT 20 BY - ALL RIGHTS RESERVED.

ITEM	DESCRIPTION	MATERIAL	OTHERS
1	MALE CONTACT	COPPER ALLOY	FLASH GOLD
2	MALE HOUSING	NYLON	BLACK
3	MALE NUT	COPPER ALLOY	-
4	MALE SHEILDING	BARSS	-
5	OVER-MOLDING	POLYURETHANE	BLUE
6	LABLE	-	-
7	CABEL	-	-
8	FEMALE SHEILDING	COPPER ALLOY	-
9	FEMALE NUT	COPPER ALLOY	-
10	FEMALE HOUSING	NYLON	BLACK
11	FEMALE CONTACT	COPPER ALLOY	FLASH GOLD

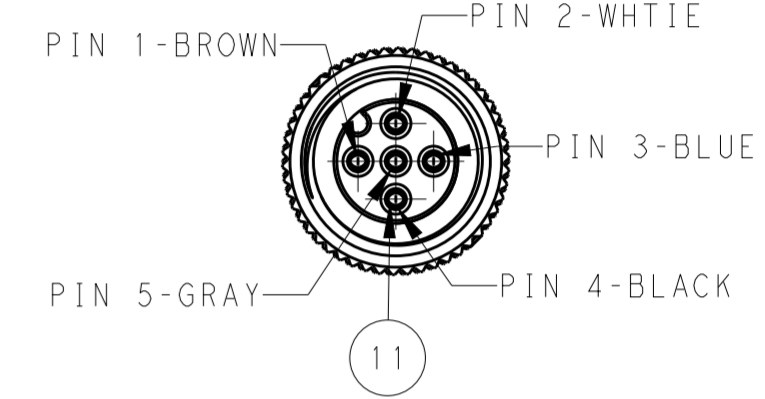
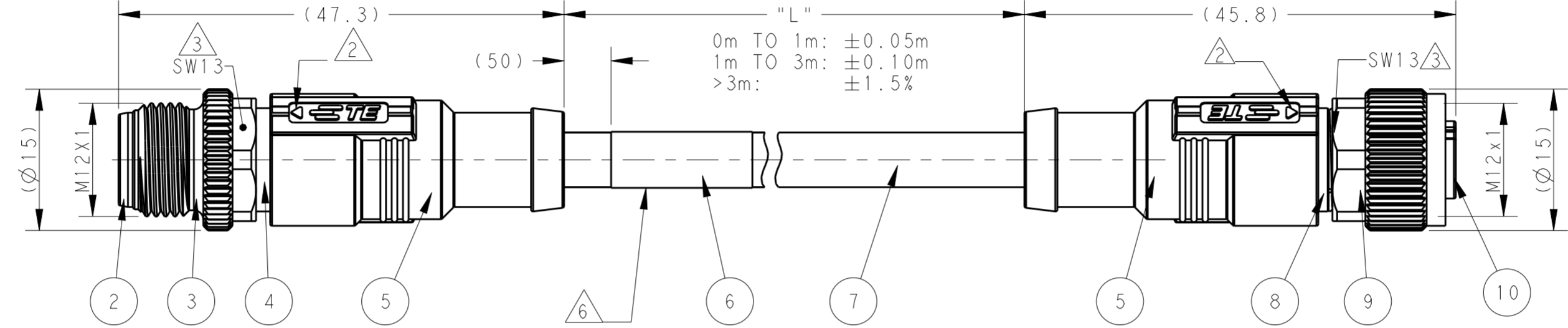
REVISIONS				
P	LTR	DESCRIPTION	DATE	APVD
	A	INITIAL RELEASE	31OCT2016	G.W C.W



SCALE 1:1



M12, MALE, 5POLES

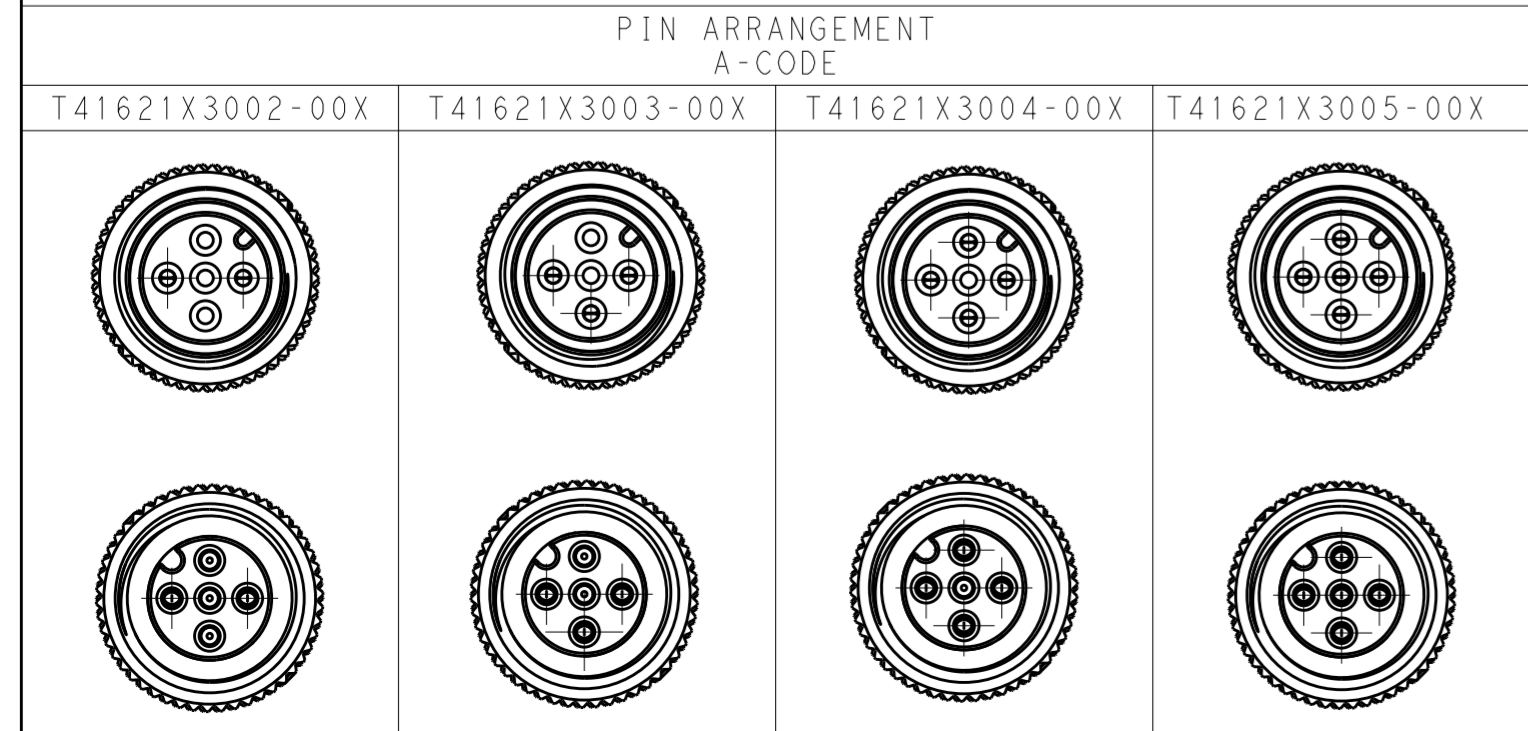


M12, FEMALE, 5POLES

TABLE 1: TECHNICAL DATA	T41621X3002-00X	T41621X3003-00X	T41621X3004-00X	T41621X3005-00X
RATED VOLTAGE	250V		60V	
RATED IMPULSE VOLTAGE	2500V		1500V	
RATED CURRENT	4A			
POLLUTION DEGREE	3			
OVERVOLTAGE CATEGORY	II			
MATERIAL GROUP	II			
DEGREE OF PROTECTION	IP67			

NOTE:
 ①. TECHNICAL DATA: SEE TABLE 1
 ②. CODE POSITION INDICATOR
 ③. RECOMMENDED TORQUE 0.6 Nm
 ④. - **: CABLE LENGTH
 -0.5:0.5M,
 -1.0:1.0M,
 -1.5:1.5M,
 -3.0:3.0M,
 -5.0:5.0M,
 -7.0:7.0M,
 -10.0:10.0M,
 5. CABLE ASSEMBLY TO BE PACKAGED IN POLYBAGS
 ⑥. LABEL CONTAINS: PN, DATE CODE...
 ⑦. -00X: FOR CABLE LENGTH, SEE TABLE 2 AND REFER TO LENGTH "L"

注释:
 ①. 技术参数: 参考表1
 ②. CODE位置指示
 ③. 推荐扭矩0.6 Nm
 ④. - **: 线缆长度
 -0.5:0.5M,
 -1.0:1.0M,
 -1.5:1.5M,
 -3.0:3.0M,
 -5.0:5.0M,
 -7.0:7.0M,
 -10.0:10.0M,
 5. 线缆组件塑料袋包装
 ⑥. 标签包含: 产品编号, 日期代码...
 ⑦. -00X: 线缆长度, 参考表2, 参照长度"L"



CABLE CHARACTERISTIC	LENGTH "L"	TEMPERATURE RANGE	JACKET COLOR	JACKET MATERIAL	TYPE	POS.	TABLE 2
							TE PN
WIRES: 0.34mm ² (22AWG) WIRE COLOR: WH/BR/BK/BL/GR OD: APPROX.5.0MM FOR 2P/3P APPROX.5.5MM FOR 4P APPROX.6.0MM FOR 5P	STANDARD: -001: 0.5m -002: 1.0m -003: 1.5m -004: 3.0m -005: 5.0m -006: 7.0m -007: 10.0m CUSTOMIZATION: - **: 0.0m -001: **.5m	FIXED: -40°C~+80°C	GRAY	PUR (UL)	RPC-M12-5MS-**SH-M12-5FS-PUR④	5	T4162123005-00X⑦
					RPC-M12-4MS-**SH-M12-4FS-PUR④	4	T4162123004-00X⑦
					RPC-M12-3MS-**SH-M12-3FS-PUR④	3	T4162123003-00X⑦
		FIXED: -10°C~+80°C	BLACK	PVC (UL)	RPC-M12-5MS-**SH-M12-5FS-PVC④	5	T4162113005-00X⑦
					RPC-M12-4MS-**SH-M12-4FS-PVC④	4	T4162113004-00X⑦
					RPC-M12-3MS-**SH-M12-3FS-PVC④	3	T4162113003-00X⑦
	FLXIBLE: -25°C~+80°C	GRAY	PUR (UL)	RPC-M12-5MS-**SH-M12-5FS-PUR④	5	T4162123005-00X⑦	
				RPC-M12-4MS-**SH-M12-4FS-PUR④	4	T4162123004-00X⑦	
				RPC-M12-3MS-**SH-M12-3FS-PUR④	3	T4162123003-00X⑦	
	FLXIBLE: -5°C~+80°C	BLACK	PVC (UL)	RPC-M12-5MS-**SH-M12-5FS-PVC④	5	T4162113005-00X⑦	
				RPC-M12-4MS-**SH-M12-4FS-PVC④	4	T4162113004-00X⑦	
				RPC-M12-3MS-**SH-M12-3FS-PVC④	3	T4162113003-00X⑦	

THIS DRAWING IS A CONTROLLED DOCUMENT.

DIMENSIONS: mm	TOLERANCES UNLESS OTHERWISE SPECIFIED:	DWN 31OCT2016 Gavin Wang	TE Connectivity
	0 PLC ± 1 PLC ± 2 PLC ± 3 PLC ± 4 PLC ± ANGLES ±	CHK 31OCT2016 Kevin Huang	
MATERIAL	FINISH	APVD 31OCT2016 Chris Wang	
PRODUCT SPEC 108-106140		NAME M12X1 STRAIGHT PLUG TO FEMALE STRAIGHT, A-CODE, SHIELDED	
APPLICATION SPEC		SIZE A2	CAGE CODE -
WEIGHT -		DRAWING NO. C-T41621X300X00X	RESTRICTED TO -
CUSTOMER DRAWING		SCALE 2:1	SHEET 1 OF 1 REV A