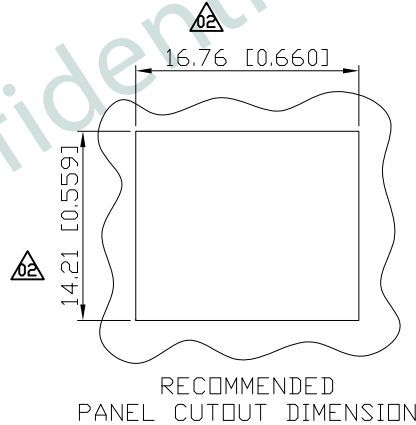
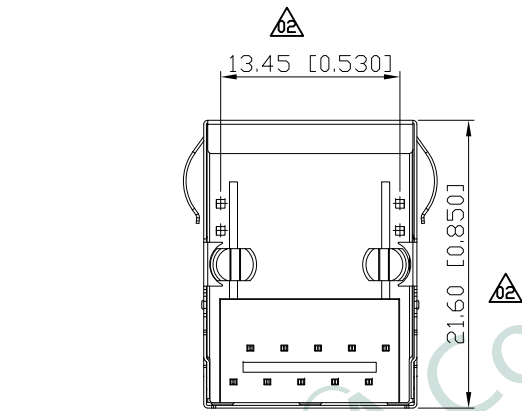
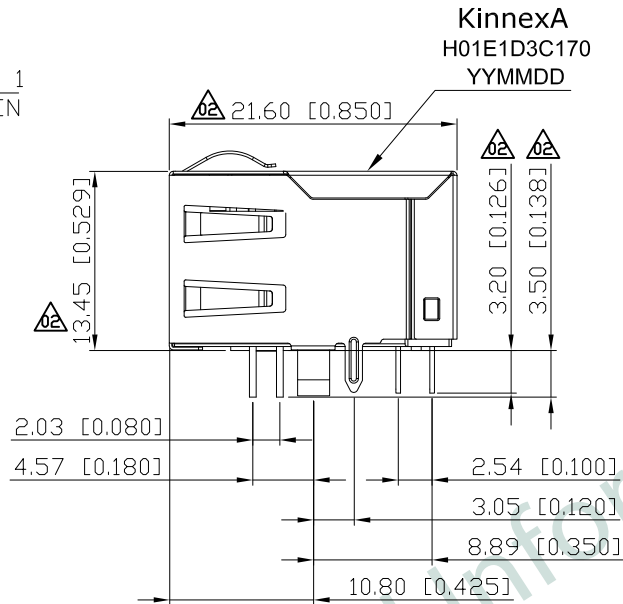
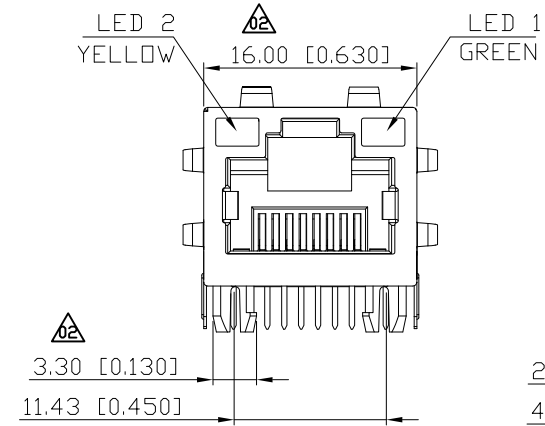


1. MECHANICAL DIMENSIONS :



KinnexA
H01E1D3C170
YYMMDD

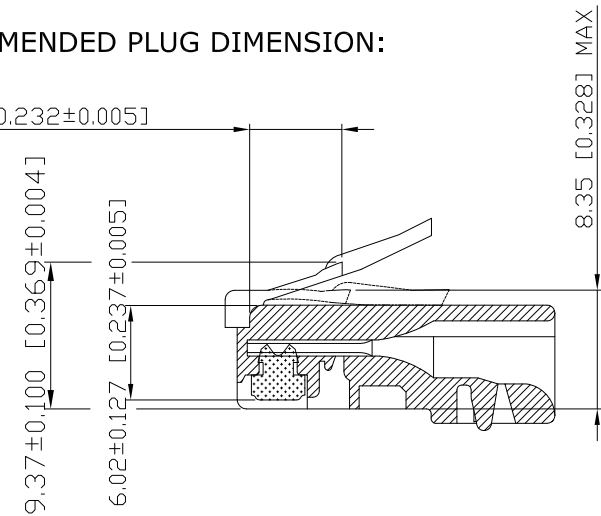
REV.	DATE	DESCRIPTION
02	Sep. 27, '17	1. CHANGE DESIGN 2. ADD THE SCHEMATIC SPEC 3. ADD THE PROFILE OF WAVE SOLDER
01	Jul. 11, '14	1st RELEASE

NOTES:

- MATERIAL:
HOUSING: HIGH THERMOPLASTIC, UL94V-0, BLACK
CONTACTS: PHOS-BRONZE, 6u" GOLD PLATING ON CONTACT AREA,
NICKEL UNDERPLATING OVERALL
SHIELD: COPPER ALLOY, NICKEL PLATING
- OPERATING TEMPERATURE: 0°C~+70°C
- INSERTION FORCE: 4 POUNDS MAX.
EXTRACTION FORCE: 4 POUNDS MAX.
- DURABILITY: 750 MATING CYCLED MIN.
- CAVITY CONFORMS TO FCC RULES AND REGULATIONS PART 68,
SUBPART F.
- UNSPECIFIED TOLERANCE: .XX ±0.25[0.010]
.X ±0.30[0.012]

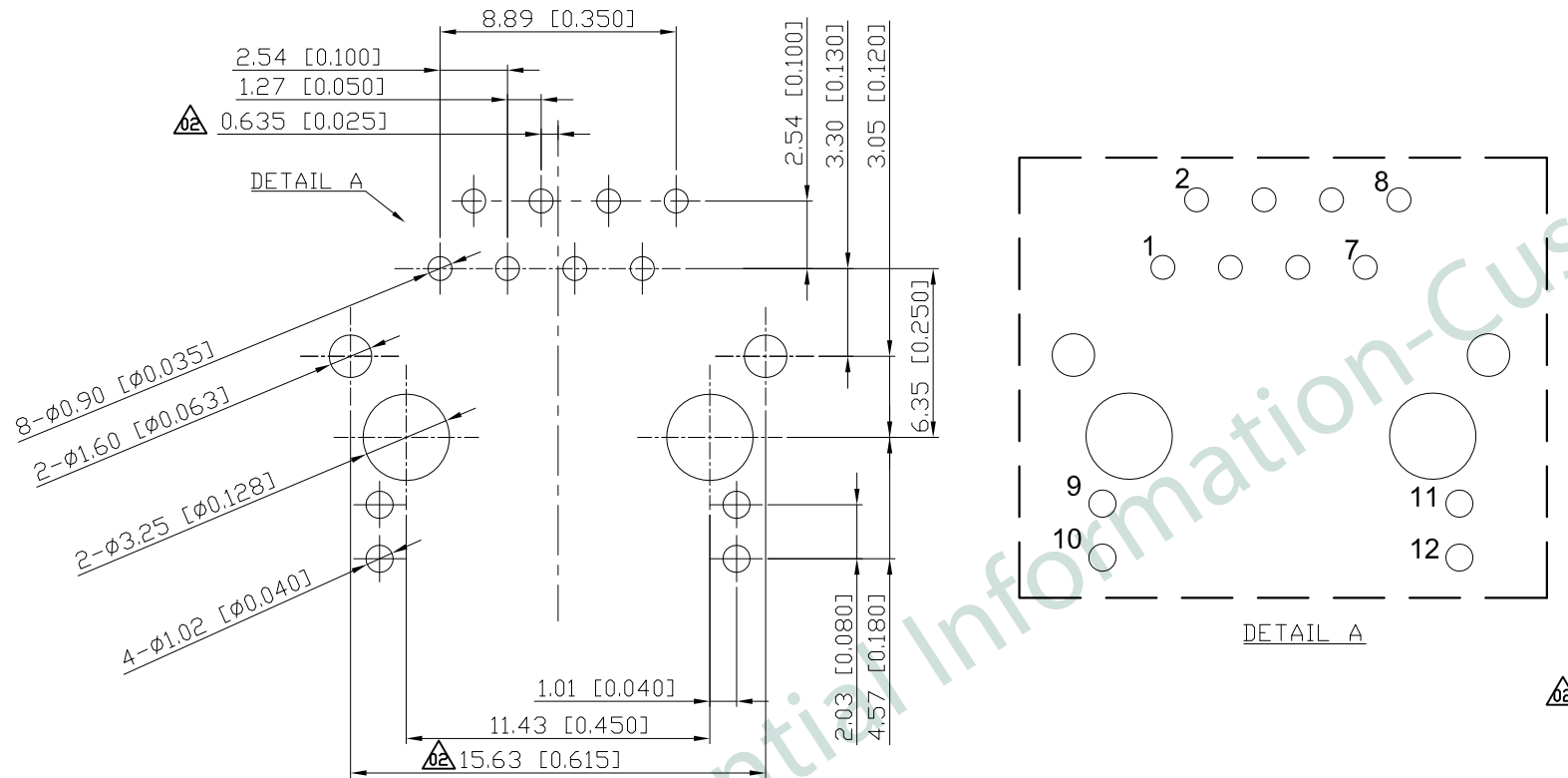
4. RECOMMENDED PLUG DIMENSION:

5.89±0.127[0.232±0.005]



PART NO		KRH-01E-1-D3C-170		
TITLE	RJ45 8P8C, W/ 10/100 TRANSFORMER, W/LED, SHIELDED			
REV : 02				
UNIT	DRAWN	CHKD	DATE	SHEET
mm[inch]	CINDY	DANIEL	Sep. 27, '17	1 of 5

2. PCB LAYOUT :



P#	DEFINITION
P1	TD+
P2	TD-
P3	CT
P4	-
P5	-
P6	CT
P7	RD+
P8	RD-
P9	LEFT YE+
P10	LEFT YE-
P11	RIGHT GR+
P12	RIGHT GR-

SUGGESTED PCB LAYOUT
(TOP VIEW) SCALE 2:1
DIMENSIONAL TOLERANCE: .XX ±0.08[0.003]

KRH-01E-1-D3C-170

PRODUCT SERIES
KRH: LATCH UP

NUMBER OF PORTS
MECHANICAL TYPE
01E: KRH 1 PORT, LENGTH=21.3mm,
STAGGERED PINS

LED COLOR OPTION

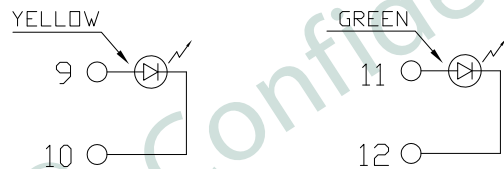
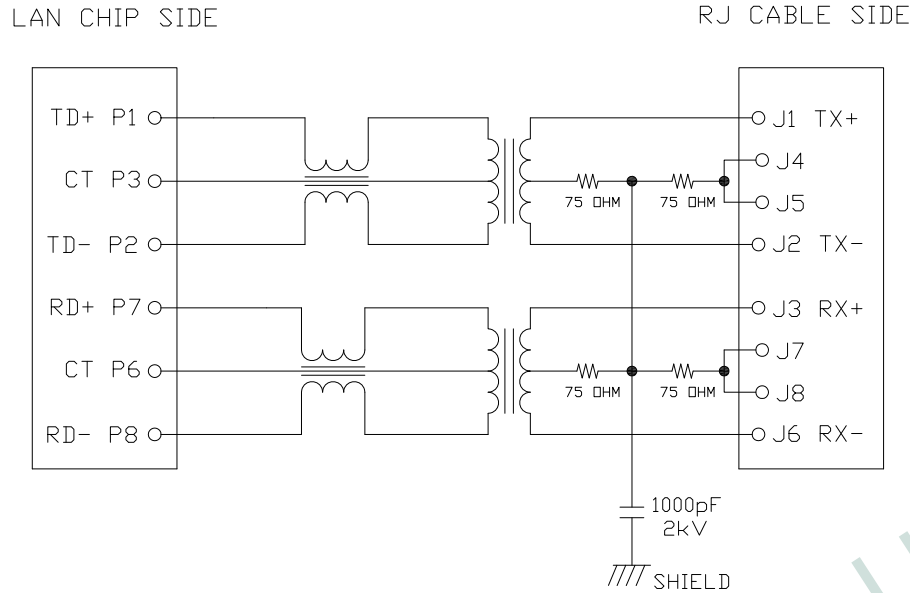
SPECIAL CODE
0: STANDARD
SHIELDED TYPE
7: EMI FINGER ON ALL SIDE
LED POLARITY
1: +- , +-

CIRCUIT TYPE

PART NO		KRH-01E-1-D3C-170		
TITLE	RJ45 8P8C, W/ 10/100 TRANSFORMER, W/LED, SHIELDED			
REV : 02				
UNIT	DRAWN	CHKD	DATE	SHEET
mm[inch]	CINDY	DANIEL	Sep. 27, '17	2 of 5

3. SCHEMATIC :

4. ELECTRICAL CHARACTERISTICS :



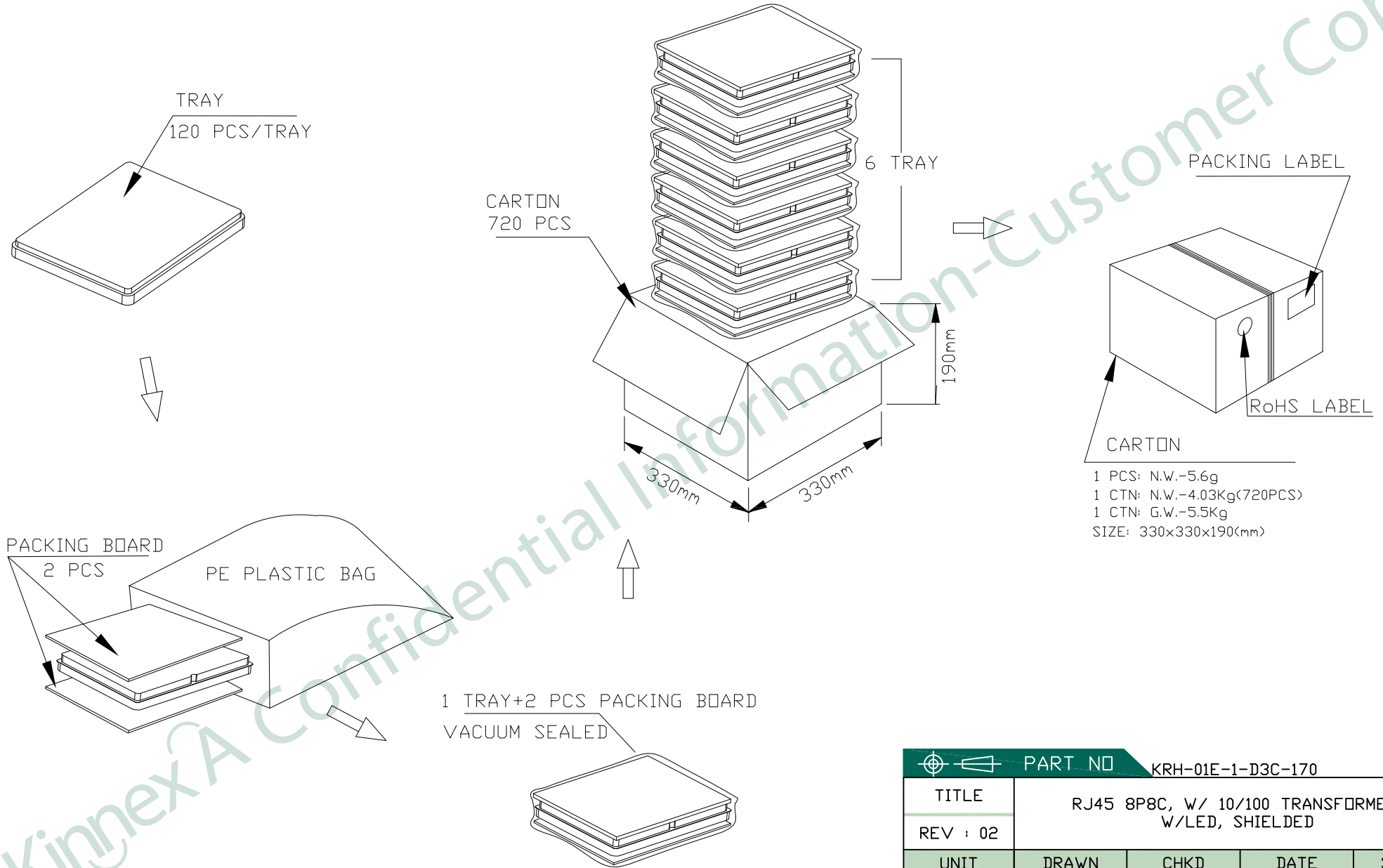
COLOR	VF(V) @20mA		IV(mcd) @20mA	IF(mA)	PEAK WAVE LENGTH λP(nm) @20mA
	TYP	MAX	TYP	TYP	TYP
YELLOW	2.2	2.6	15	20	588
GREEN	2.2	2.6	10	20	570


TEST NOTES:(25±5°C)

- TR:
INPUT TO OUTPUT=1:1±3%
- LX:(100KHz,100mV,8mA, DC Bias)
350uH MINIMUM
- DCR:
EVERY RJ PAIR=1.2 Ω MAXIMUM
- HIPOT:
INPUT(RJ SIDE) TO OUTPUT(LAN SIDE):
1500 VAC/60SEC
- INSERTION LOSS:
-1.0dB MAXIMUM AT 0.3MHz TO 100MHz
- RETURN LOSS:
-20dB MINIMUM AT 1MHz TO 30MHz
-15dB MINIMUM AT 30MHz TO 60MHz
-10dB MINIMUM AT 60MHz TO 80MHz
- CROSS TALK:
-30dB MINIMUM AT 1MHz TO 100MHz
- COMMON TO COMMON MODE REJECTION:
-30dB MINIMUM AT 1MHz TO 100MHz

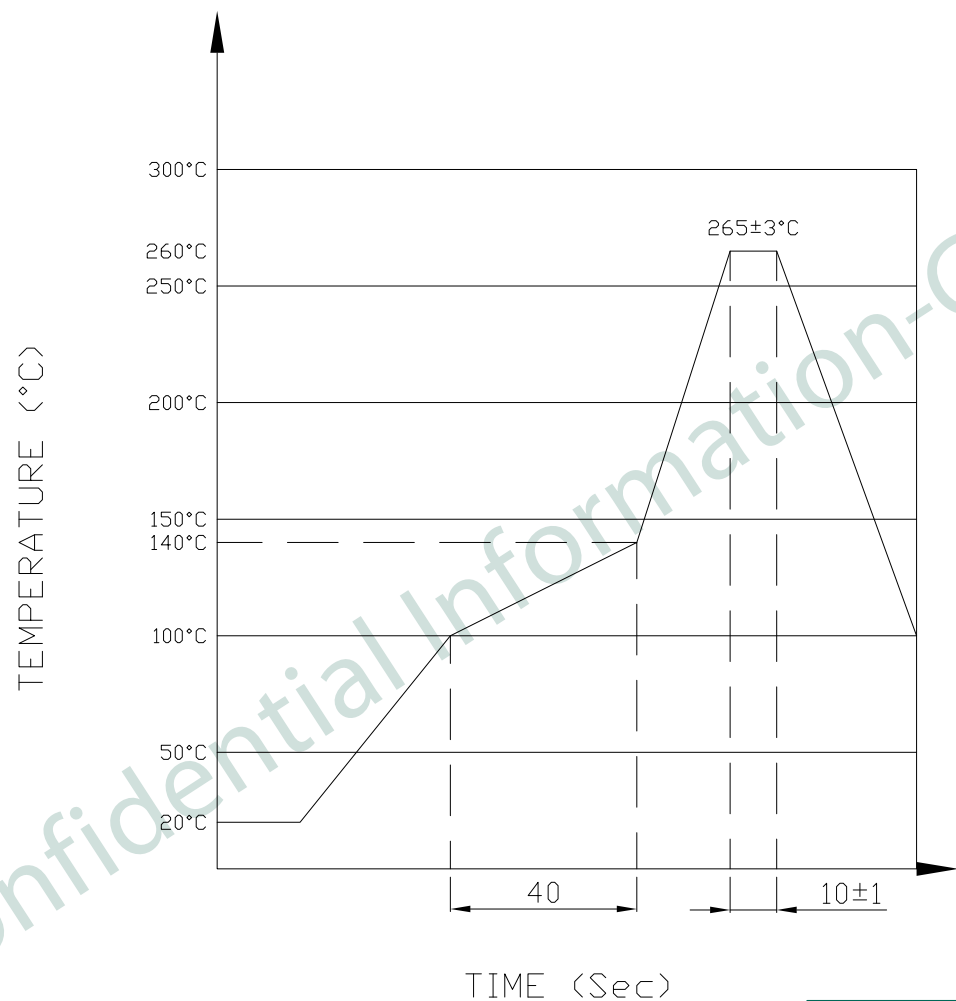
PART NO		KRH-01E-1-D3C-170		
TITLE	RJ45 8P8C, W/ 10/100 TRANSFORMER, W/LED, SHIELDED			
REV : 02				
UNIT	DRAWN	CHKD	DATE	SHEET
mm[inch]	CINDY	DANIEL	Sep. 27, '17	3 of 5

9. PACKING SPECIFICATION:

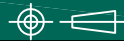


 PART NO KRH-01E-1-D3C-170				
TITLE	RJ45 8P8C, W/ 10/100 TRANSFORMER, W/LED, SHIELDED			
REV : 02				
UNIT	DRAWN	CHKD	DATE	SHEET
mm[inch]	CINDY	DANIEL	Sep. 27, '17	4 of 5

10. PROFILE OF WAVE SOLDER : 



The measuring point for the specified temperature shall be on the soldered part of the lead

 PART NO		KRH-01E-1-D3C-170		
TITLE	RJ45 8P8C, W/ 10/100 TRANSFORMER, W/LED, SHIELDED			
REV : 02				
UNIT	DRAWN	CHKD	DATE	SHEET
mm[inch]	CINDY	DANIEL	Sep. 27, '17	5 of 5