

## SUMMARY

### # Wires

Low voltage 3



Image is for illustrative purpose only

Series	2P
Termination type	Female crimp
IP rating	50
AWG wire size	0.00 - 0.00
Cable Ø	0.00 - 0.00 mm
Status	active
Matching parts	<a href="#">CAB.M03.GYC.C92G</a>

### Download

[Request a quote](#)

[Catalog](#)

## TECHNICAL DETAILS

### Mechanics

Shell Style/Model	CK*: Fixed receptacle with two nuts (back panel mounting)
Keying	No keying
Housing Material	PSU (Polysulfone), gray
Weight	6.52 g

### Performance

Configuration	2P.M03 : 3 Low V.
Insulator	Y: PEEK for crimp contacts
Rated Current	17 Amps

### Specifications

Test voltage (kV rms) Contact-contact: 2.4  
Air clearance min.: 1.5 mm  
Creepage distance min.: 1.5 mm

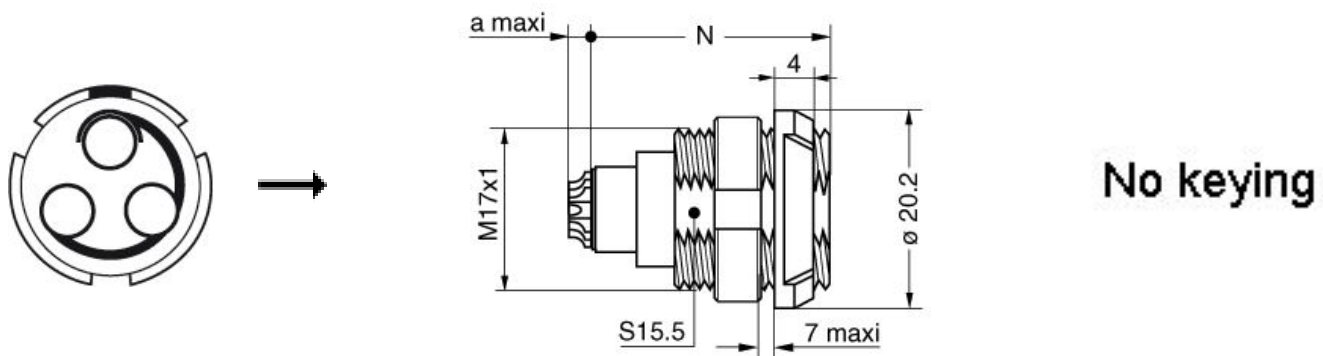
### Others

Endurance (Shell): >1000 mating cycles  
Temp (min / max): -50°C / +150°C  
F ret (min): 150 N

LEMO products and services are provided "as is". LEMO makes no warranties or representations with regard to LEMO product & services or use of them, express, implied or statutory, including for accuracy, completeness, or security. The user is fully responsible for his products and applications using LEMO components.

F ret (max): 250 N  
Steam sterilization: 20 times

## DRAWINGS



### Dimensions

	N	a
mm.	25.1	0
in.	0,99	0,00

## RECOMMENDED BY LEMO

### Tools

Crimp Tool:	<a href="#">DPC.91.101.A</a>
Crimp settings:	AWG/Selector = 14-16-18/7-6-5
Positionner:	<a href="#">DCE.91.162.BVCM</a>
Extractor:	<a href="#">DCC.16.25B.LAG</a>
Replacement contact:	EGG.2B.670.ZZM

LEMO products and services are provided "as is". LEMO makes no warranties or representations with regard to LEMO product & services or use of them, express, implied or statutory, including for accuracy, completeness, or security. The user is fully responsible for his products and applications using LEMO components.