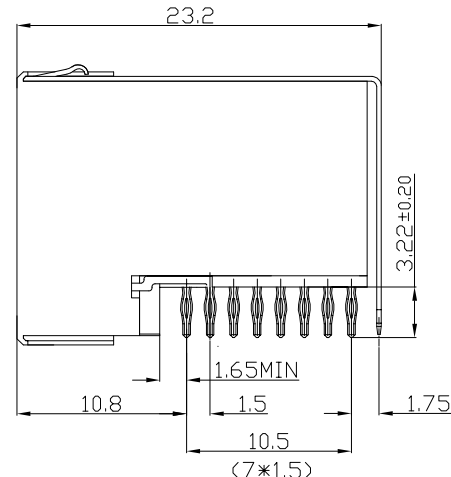
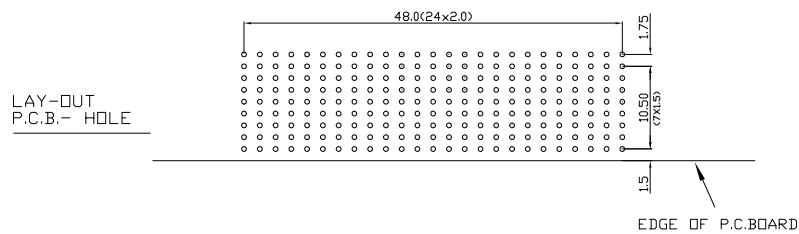
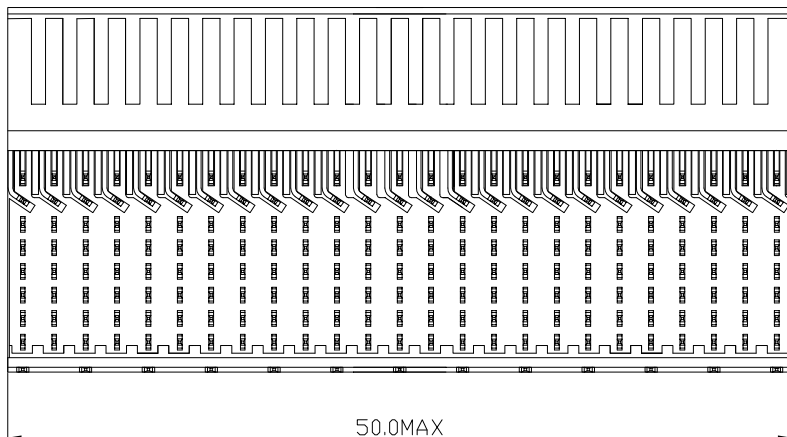
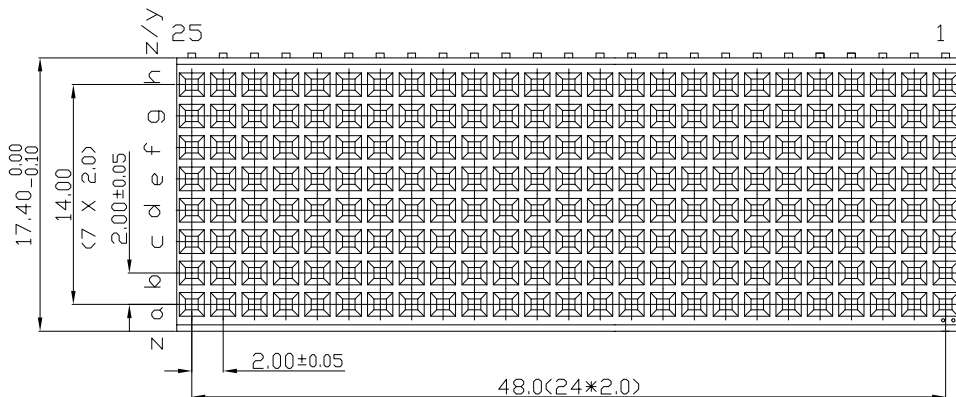


Tous droits strictement reserves. Reproduction ou communication a des tiers interdite sous quelque forme que ce soit sans autorisation ecrite du proprietaire. Propriete de c FCI. Droits de reproduction FCI.



All rights strictly reserved. Reproduction or issue to third parties in any form whatever is not permitted without written authority from the proprietor. Property of FCI. Copyright FCI.



PERFORMANCE CHARACTERISTICS

- CURRENT RATING: 1.5A AT 20°C (FULLY LOADED)
1 A AT 70°C (FULLY LOADED)
- RATED VOLTAGE: 500 V AC (CONT /CONT)
- OPERATING TEMPERATURE: -55°C TO 125°C
- CONTACT RESISTANCE: 20 mΩ MAX
- INSERTION FORCE: 0.75N MAX/CONT
- EXTRACTION FORCE: 0.15N MIN/CONT
- INSULATION RESISTANCE: 10⁴ MΩ MIN

- NOTES 1: LEAD FREE INDICATOR -LF=LEAD FREE
- PERFORMANCE LEVEL INDICATOR (REF DWG NO.BSC 201844.003)
- THIS PRODUCT IS CSA APPROVED. THIS PRODUCT IS UL RECOGNIZED.
 - FOR RECOMMENDED PTH DIMENSIONS REFER DRAWING : BSA201572.001
 - THIS PRODUCT (LF) MEETS EUROPEAN UNION DIRECTIVES AND OTHER COUNTRY REGULATIONS AS DESCRIBED IN GS-22-008

rev	ecn no	dr	date
A	CONVERSION REVISION 04	KN	14-09-01
B	DG05-0278	Koson	10-10-05
C	DG07-0362	Koson	05-09-07
D	DG10-0110	NZ	10-13-10

		www.fciconnect.com		tolerance 1DEC +0.2 1DEC 2DEC +0.1 2DEC ANGLES #1° HDEKEN	projection 	MM ↔
Dr	N.OTTO	16-06-99	Product family	MILLIPICS	size	A4
Eng			Spec ref		Scale	3/1
Chr			Material		ECN	
Appr						
MPACS 8+2R RA RCP CONN TYPE E/ UPPER SHIELDED				dwg no	BS,C ,202260,015	
catalog no	HM2R88PA8108----			CUSTOMER	sheet 1 of 1	