

- 注記 NOTES.
- 材質 ハウジング: PA46, UL94V-0, 色: 黒  
MATERIALS HOUSING: PA46, UL94V-0, COLOUR: BLACK
  - 適合ターミナル: 78172-041\*  
APPLICABLE TERMINAL: 78172-041\*
  - 嵌合相手: 78171-5006  
MATES WITH  
極数 No. / CIRCUIT No.
  - 梱包形態: 袋詰め梱包  
PACKAGING SPECIFICATION: PLASTIC BAG PACKAGING
- 製品番号は右記の内容を示す: 78172-5006  
PRODUCT NUMBER INDICATES FOLLOWING  
極数 No. / CIRCUIT No.
- ELV 及び RoHS 適合品  
ELV AND RoHS COMPLIANT
  - 参考として本製品評価時に使用の電線仕様を以下に示します。  
THE ELECTRIC WIRE SPECIFICATION USED AS REFERENCE AT THE TIME OF THIS PRODUCT EVALUATION IS SHOWN BELOW.

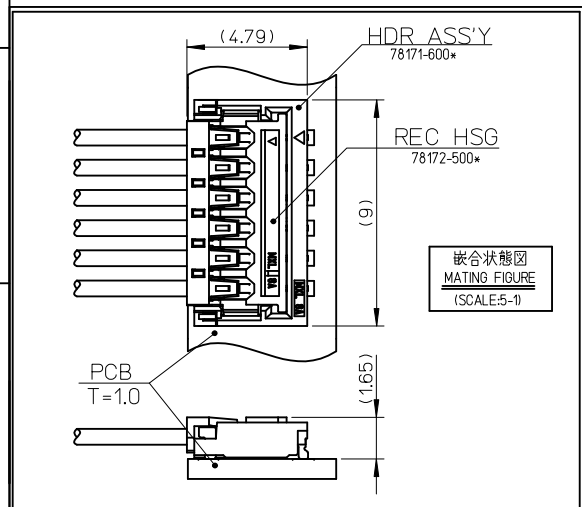
※製品評価時使用電線  
UL 3302 電線  
UL STYLE 3302

電線サイズ WIRE SIZE	導体仕様 CONDUCTOR SPEC.	導体構成 STRANDING, (No./mm)	導体外径 CONDUCTOR DIA. (mm)	絶縁体外径 INSULATION DIA. (mm)
AWG# 30	錫メッキ軟銅線 TINNED ANNEALED COPPER	7/0.10	0.30	0.70

UL 3302 電線  
UL STYLE 3302

電線サイズ WIRE SIZE	導体仕様 CONDUCTOR SPEC.	導体構成 STRANDING, (No./mm)	導体外径 CONDUCTOR DIA. (mm)	絶縁体外径 INSULATION DIA. (mm)
AWG# 28	錫メッキ軟銅線 TINNED ANNEALED COPPER	7/0.127	0.38	0.6

8. 製品の取扱いについては取扱説明書 "AS-78172-001" を参照願います。  
REFER TO INSTRUCTION MANUAL "AS-78172-001"



REVISED EC NO: J2012-1054 DRWN: TODA 2012/07/09 CHKD: KASAKAWA 2012/03/05 APPR: Y01T0010 2012/03/05	GENERAL TOLERANCES (UNLESS SPECIFIED)		DIMENSION STYLE MM ONLY		SCALE 10:1	MATERIAL NO. 78172-5006	MODEL NO. 78172-500*
	10 UNDER	±0.2	DRAWN BY T. ODA	DATE 08/06/16	TITLE	DESIGN UNITS METRIC	
	10 OVER 30 UNDER	±0.25	CHECKED BY SA. SATO	DATE 08/06/16	12W/B CONN REC CRIMP HSG 6CKT	THIRD ANGLE PROJECTION	
	30 OVER	±0.3	APPROVED BY S. ICHIKAWA	DATE 08/06/16		MOLEX INCORPORATED	
ANGULAR ±1 °		DRAFT WHERE APPLICABLE MUST REMAIN WITHIN DIMENSIONS		MATERIAL NO.	DOCUMENT NO. SD-78172-001	SHEET NO. 1 OF 1	
SIZE A3		THIS DRAWING CONTAINS INFORMATION THAT IS PROPRIETARY TO MOLEX INCORPORATED AND SHOULD NOT BE USED WITHOUT WRITTEN PERMISSION					