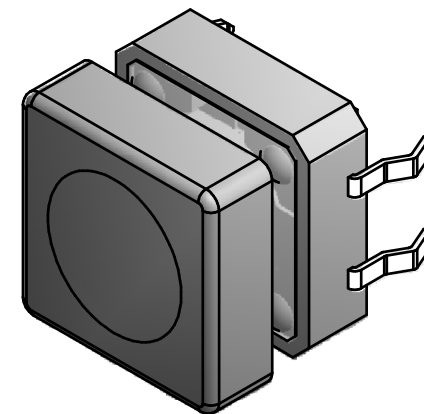
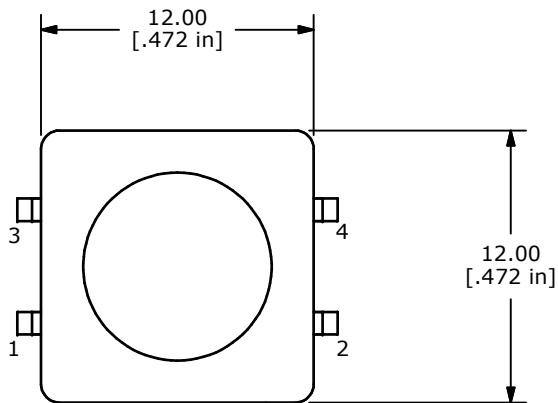
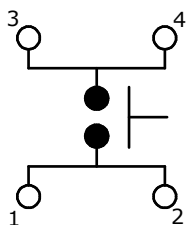


P.C.B. LAYOUT

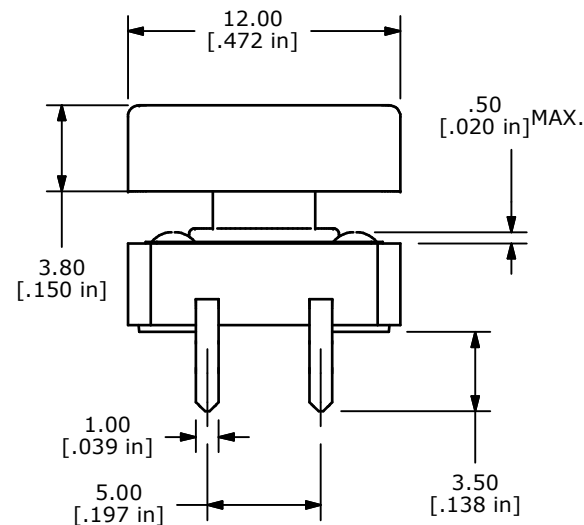
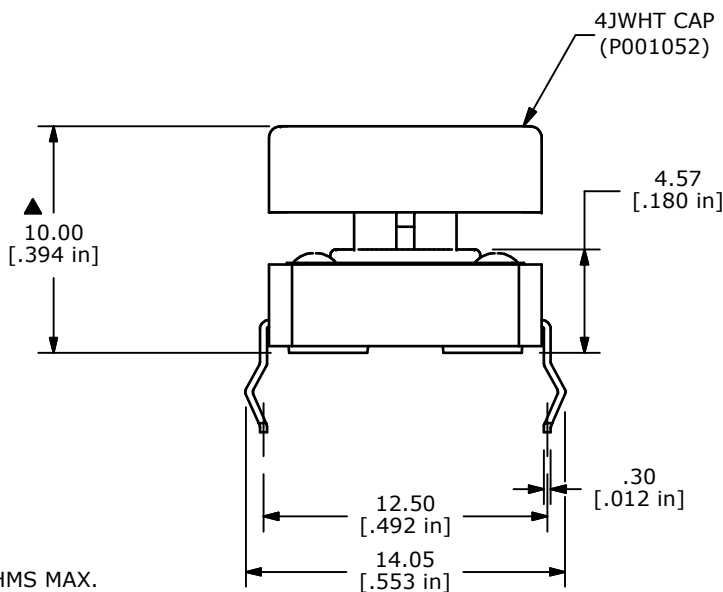


ISOMETRIC

TL1100F260Q
(P001111)



CIRCUIT: SPST



NOTES:

1. ALL DIMENSIONS IN MM [INCH]
2. GENERAL TOLERANCE: X.X ± 0.4
X.XX ± 0.25
3. TERMINAL NUMBERS FOR REF. ONLY.
4. RATING: 50mA @ 12VDC
5. TRAVEL: 0.30 ± 0.15mm
- ▲ 6. OPERATING FORCE: 260 ± 50gf
7. CONTACT RESISTANCE: 100 MILLI-OHMS MAX.
8. ELECTRICAL LIFE: 100,000 CYCLES MIN.
9. ▲ DENOTES CRITICAL PARAMETER.
10. 2002/95/EC (ROHS) COMPLIANT.



TITLE TL1100F260Q4JWHT

2	18565	RELEASE FOR PRODUCTION	6/26/09	BLR
REV	PCR NO	DESCRIPTION	DATE	BY

SCALE	DATE	DR	DWG	REV
3:1	6/26/2009	BLR	XP0311A	A

THE INFORMATION CONTAINED IN THIS DOCUMENT IS PROPRIETARY TO E-SWITCH AND IS NOT TO BE COPIED OR TRANSFERRED