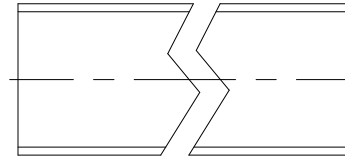
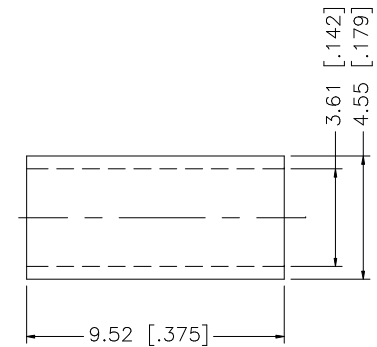
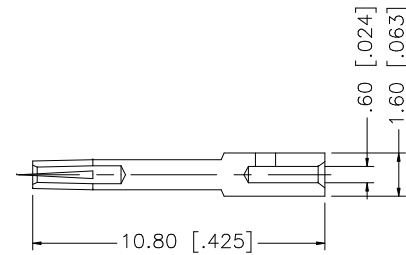
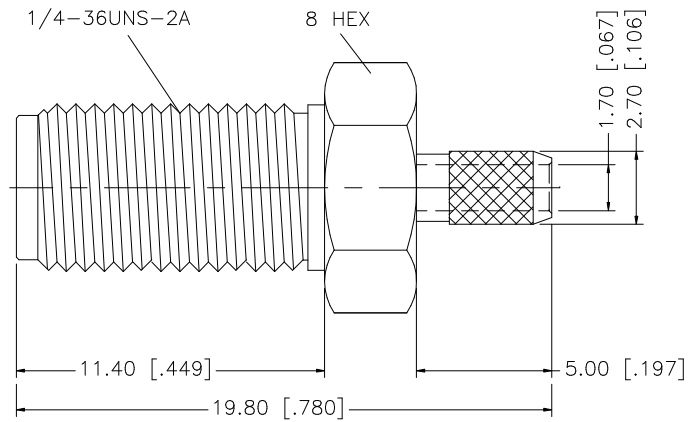
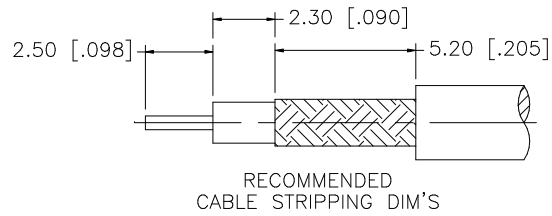


REV.	DATE	DESCRIPTION
A-1	01/25/04	UPDATE DRAWING FORMAT



NOTE:

1. CRIMPED FERRULE
HEX CRIMP SIZE .151"
2. CONTACT PIN TO SOLDER
3. MAX. PANEL THICKNESS = 3.2mm

REV.	DATE	DESCRIPTION
A-1	01/25/04	UPDATE DRAWING FORMAT
8		
7		
6		
5	HEAT SHRINK TUBING	BLACK 1
4	FERRULE	COPPER GOLD 1
3	CONTACT PIN	BER. COPPER GOLD 1
2	INSULATOR	TEFLON NATURAL 1
1	BODY	BRASS GOLD 1
	DESCRIPTION	MATERIAL FINISH QTY
<p>UNLESS OTHERWISE SPECIFIED DIMENSIONS ARE IN MILLIMETERS. DIMENSIONS IN [] ARE IN INCHES AND FOR CUSTOMER REFERENCE ONLY.</p> <p>UNLESS OTHERWISE SPECIFIED TOLERANCES FOR MILLIMETERS ARE: 0.5 - 8mm ± 0.20mm 8 - 30mm ± 0.40mm 30 - 120mm ± 0.50mm</p> <p>UNLESS OTHERWISE SPECIFIED TOLERANCES FOR INCHES ARE: .020 - .315 = ± 0.007" .315 - 1.180 = ± 0.015" 1.180 - 4.724 = ± 0.020"</p> <p>DO NOT SCALE DRAWING</p>		
APPROVALS		DATE
DRAWN	G.R.S.	01/25/04
CHECKED		
ISSUED		
SHEET	1 OF 1	
CAD FILE		C:/132/132198.DWG
PART DESCRIPTION		SMA STRAIGHT CRIMP JACK (FOR RG-316/U DOUBLE BRAID CABLE)
PART NO.		132198
DWG. NO.	132198.DWG	REV. A-1
SIZE	A	SCALE NA

Amphenol Connex