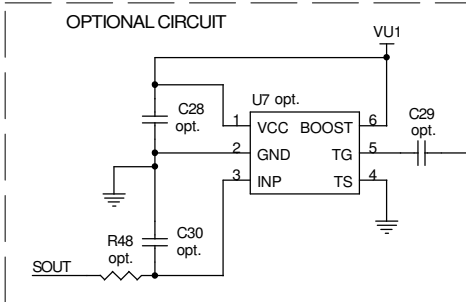
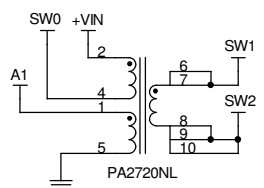


OPTIONAL FOOTPRINT FOR T1



**\*\* FOR ASSEMBLY**

VERSIONS	+VIN	+VOUT
- A	34V - 75V	3.3V @ 30A
- B	18V - 72V	5V @ 25A
- C	18V - 72V	12V @ 8A
- D	18V - 72V	24V @ 4A
- E	36V - 72V	5V @ 12A
- F	9V - 36V	3.3V @ 20A (5V @ 15A) *
- G	9V - 36V	12V @ 5A (18V @ 4A) *
- H	9V - 36V *	48V @ 1.5A

NOTES: UNLESS OTHERWISE SPECIFIED  
 1. ALL RESISTORS ARE 0603.  
 ALL CAPACITORS ARE 0603.  
 \* SEE QUICK START GUIDE.

CUSTOMER NOTICE		CONTRACT NO.		APPROVALS		DATE	
LINEAR TECHNOLOGY HAS MADE A BEST EFFORT TO DESIGN A CIRCUIT THAT MEETS CUSTOMER-SUPPLIED SPECIFICATIONS; HOWEVER, IT REMAINS THE CUSTOMER'S RESPONSIBILITY TO VERIFY PROPER AND RELIABLE OPERATION IN THE ACTUAL APPLICATION. COMPONENT SUBSTITUTION AND PRINTED CIRCUIT BOARD LAYOUT MAY SIGNIFICANTLY AFFECT CIRCUIT PERFORMANCE OR RELIABILITY. CONTACT LINEAR TECHNOLOGY APPLICATIONS ENGINEERING FOR ASSISTANCE.  THIS CIRCUIT IS PROPRIETARY TO LINEAR TECHNOLOGY AND SUPPLIED FOR USE WITH LINEAR TECHNOLOGY PARTS.				DRAWN		10/8/07	
				ENGINEER		10/8/07	
				CHECKED			
				APPROVED			
Wednesday, February 25, 2009				SCALE:		FILENAME:	
				SHEET 1 OF 1		REV A	



1630 McCarthy Blvd.  
 Milpitas, CA 95035  
 Phone: (408)432-1900  
 Fax: (408)434-0507

TITLE: **LT1952EGN-1, LT4430ES6 ISOLATED FORWARD DC/DC CONVERTER**

SIZE: CAGE CODE: DWG NO: **DC1317A-B** REV: **A**