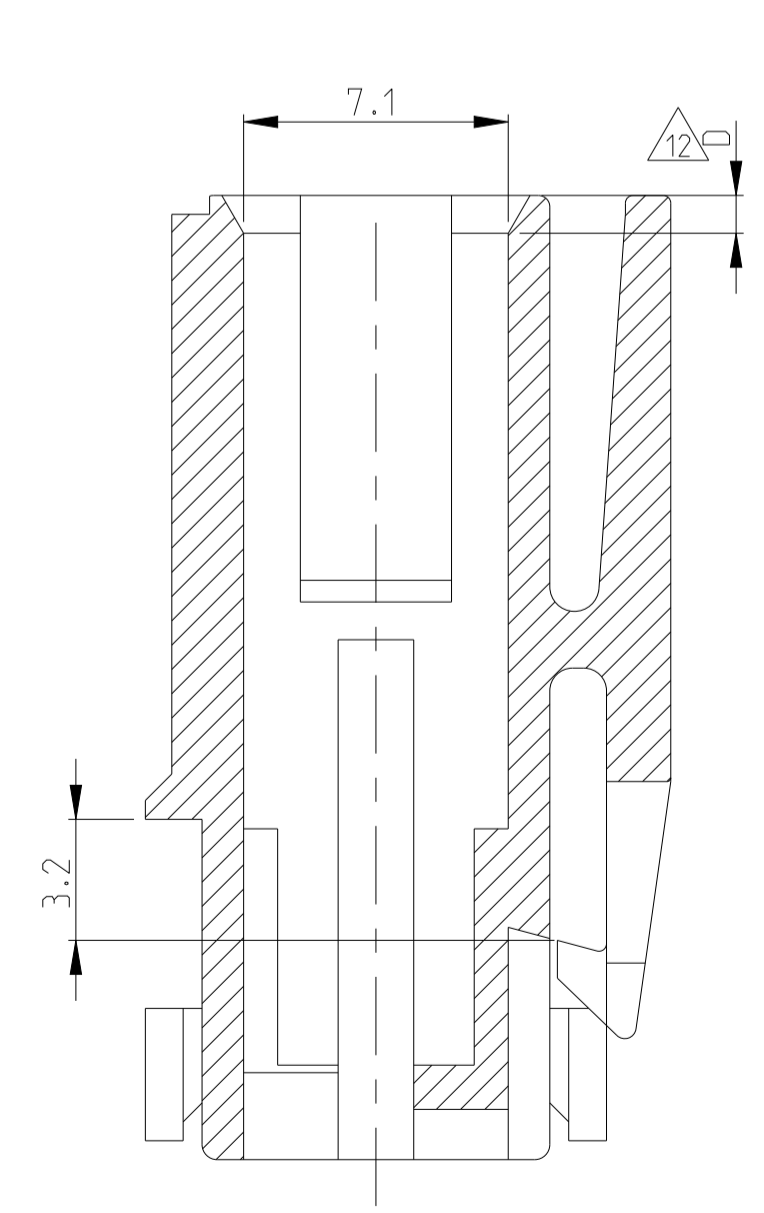
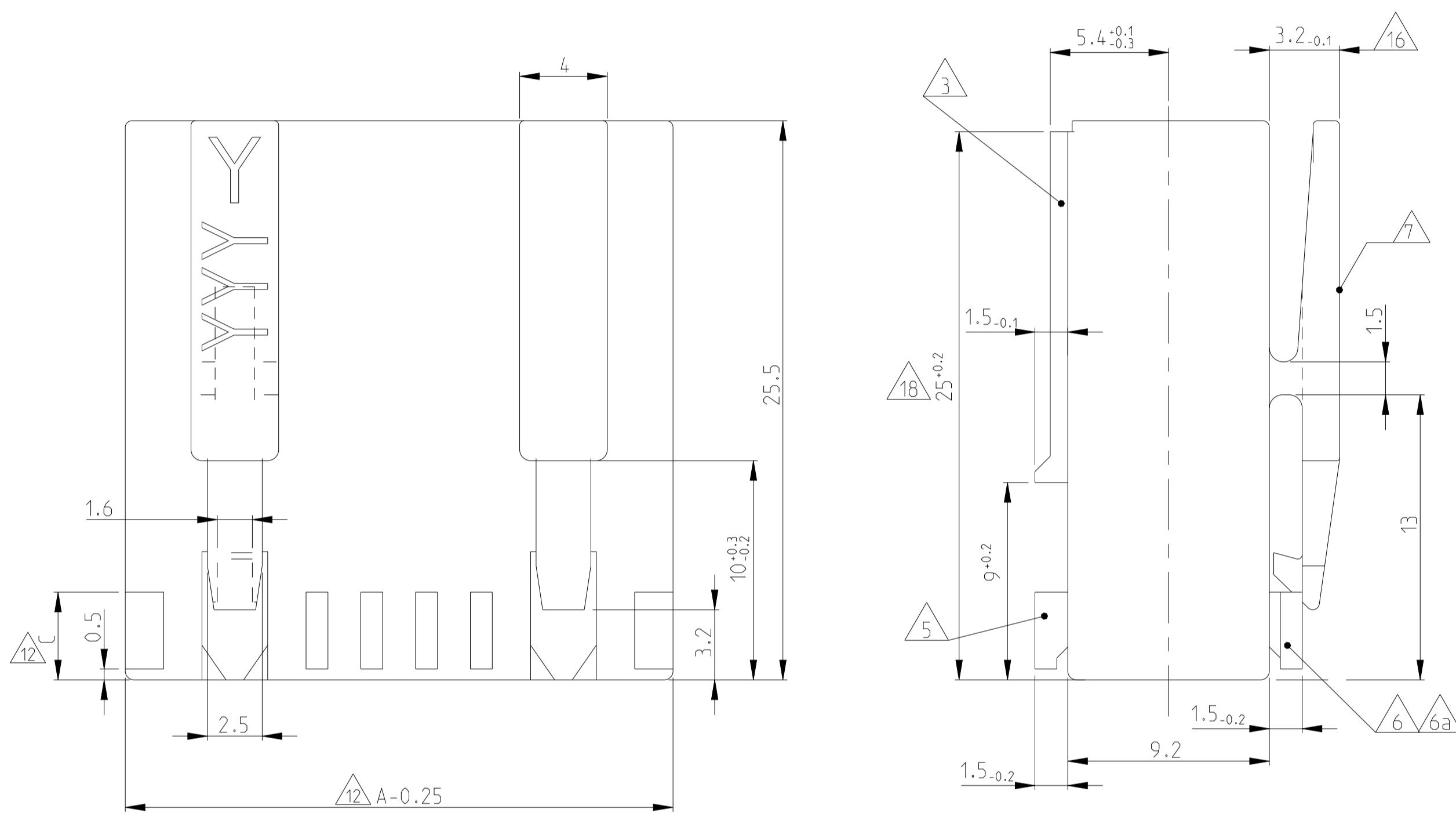
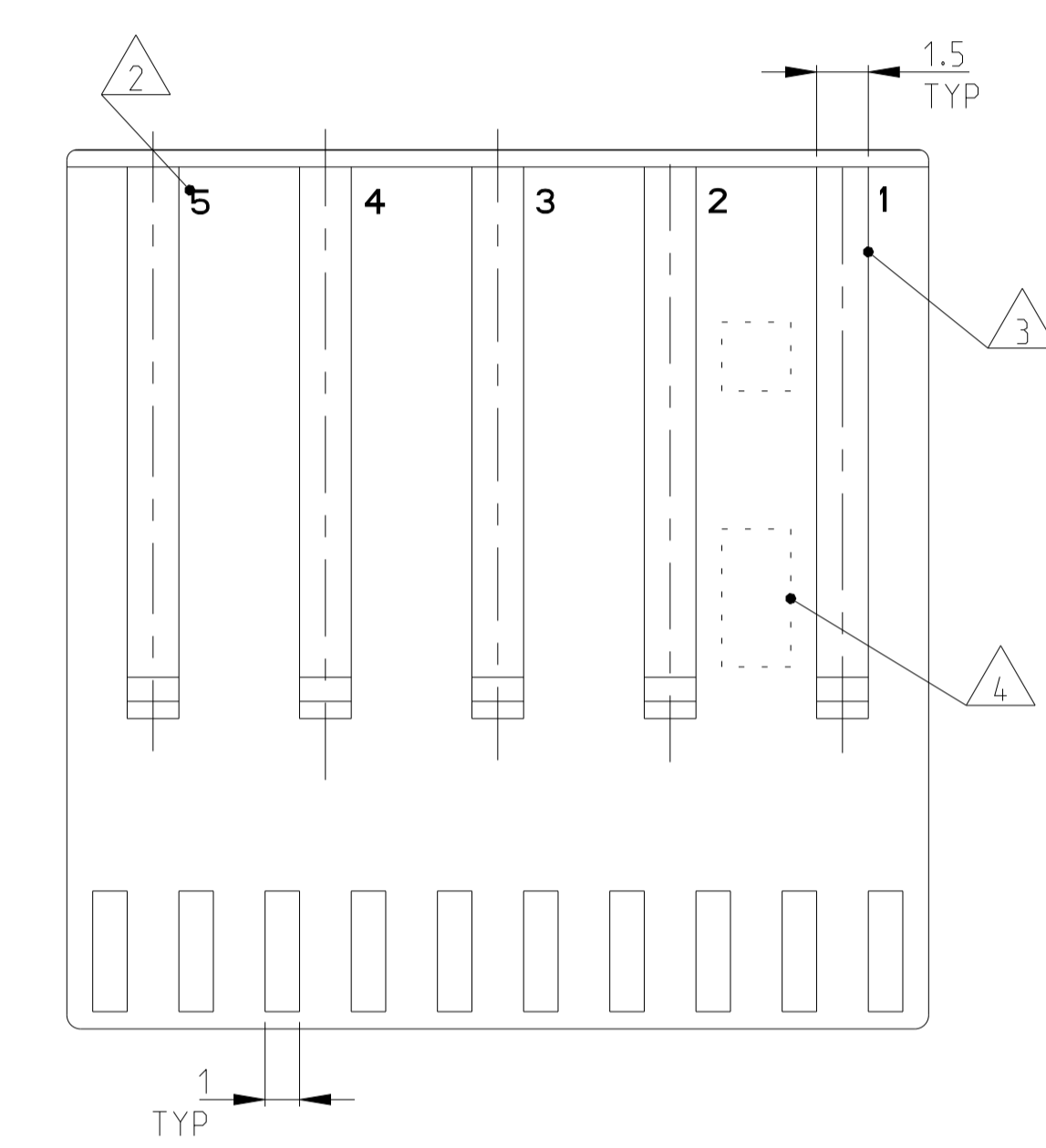
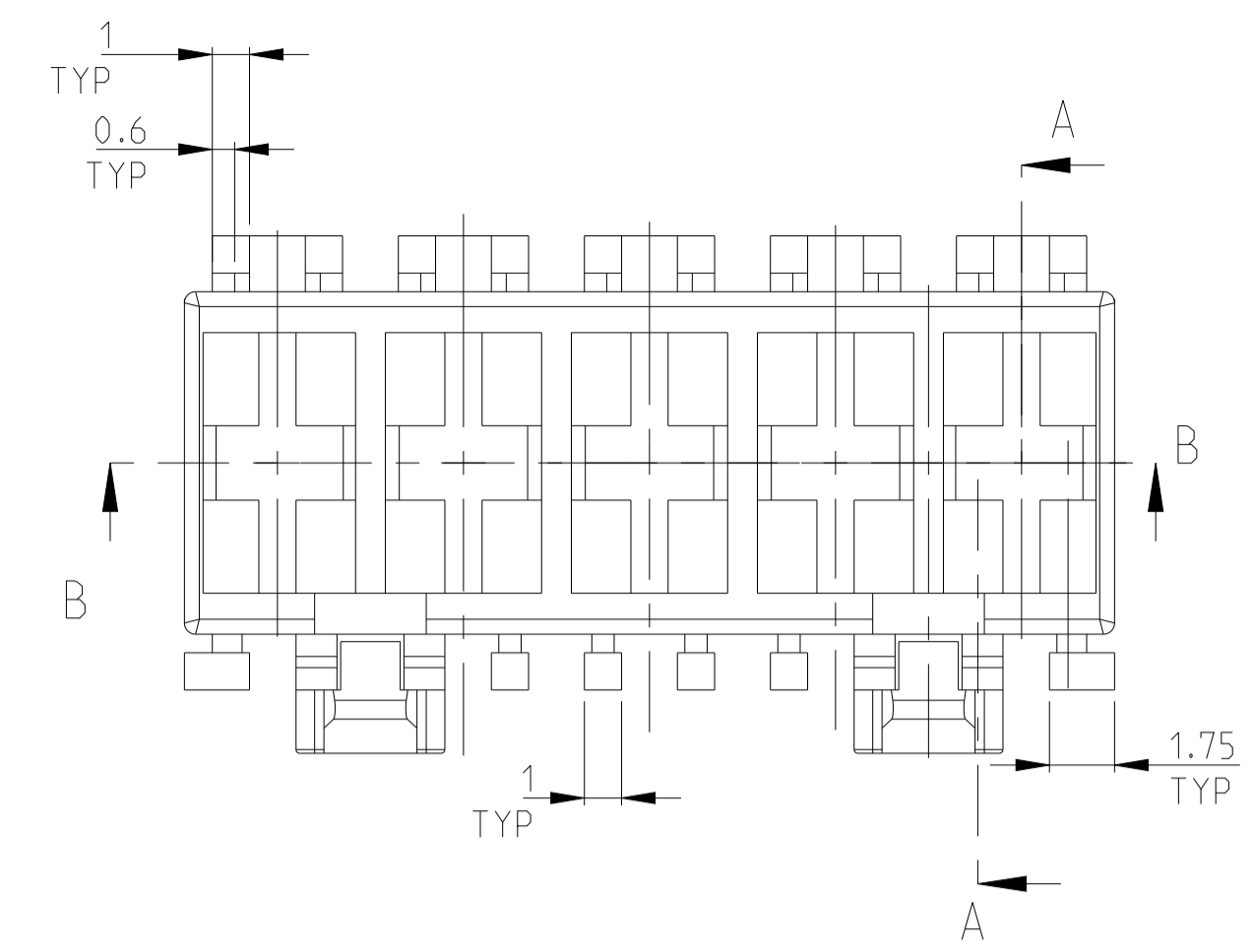
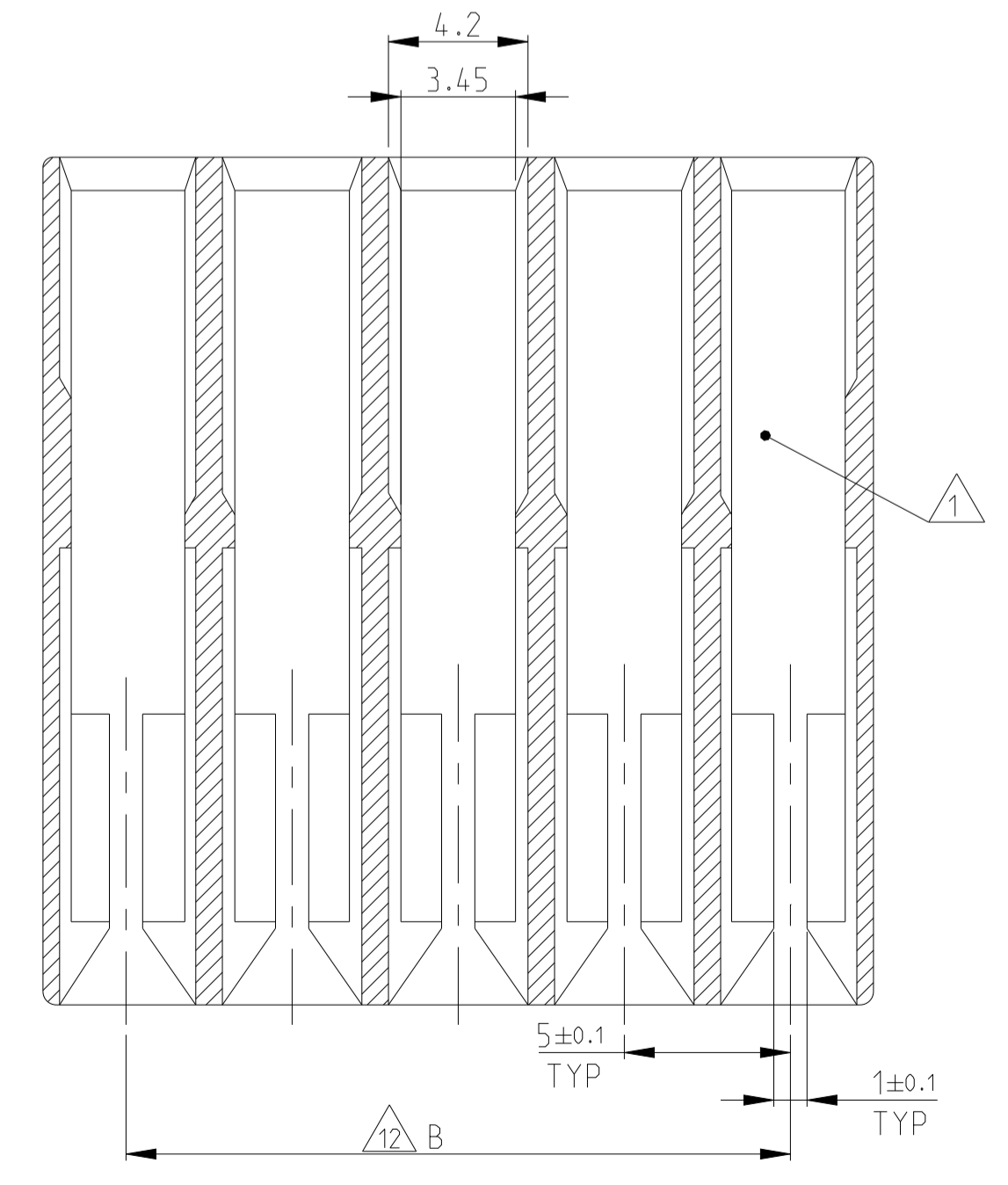


LOC		DIST		REVISIONS			
P	LTN	DESCRIPTION	DATE	OWN	APVD		
E4	ECR-21-103933		14 JUN 2021	PJ	FL		
E5	ECR-21-115768		06 DEC 2021	KD	FL		
E6	ECR-21-118726		27 DEC 2021	PJ	FL		
E7	ECR-21-121619		06 DEC 2021	PJ	FL		



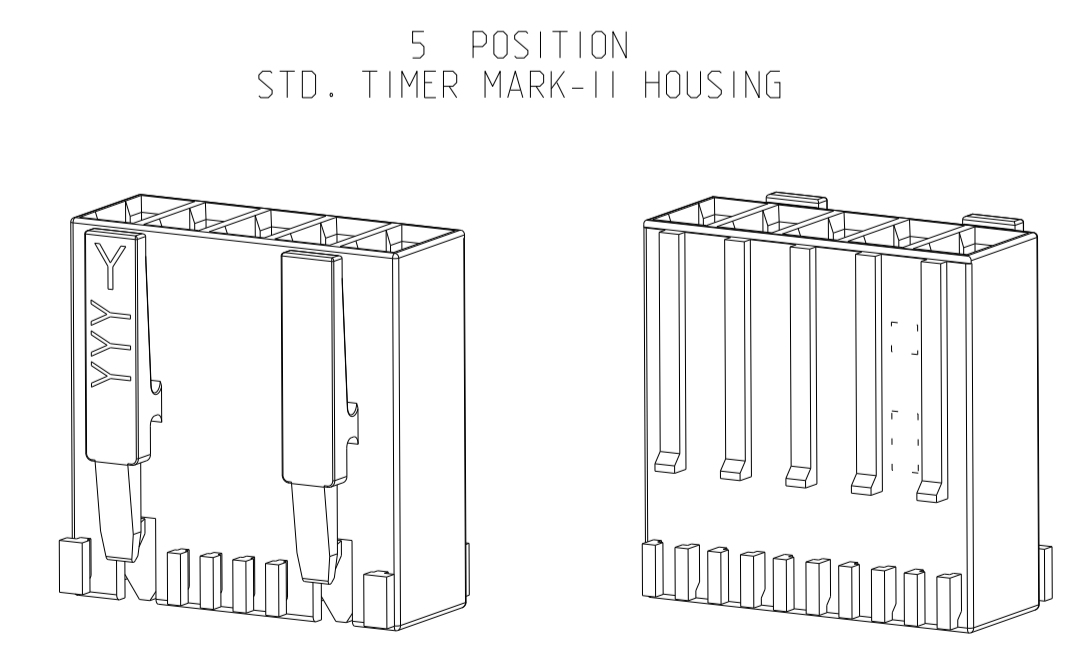
SECTION A-A / Schnitt A-A



SECTION B-B / Schnitt B-B

REMARKS/Bemerkungen

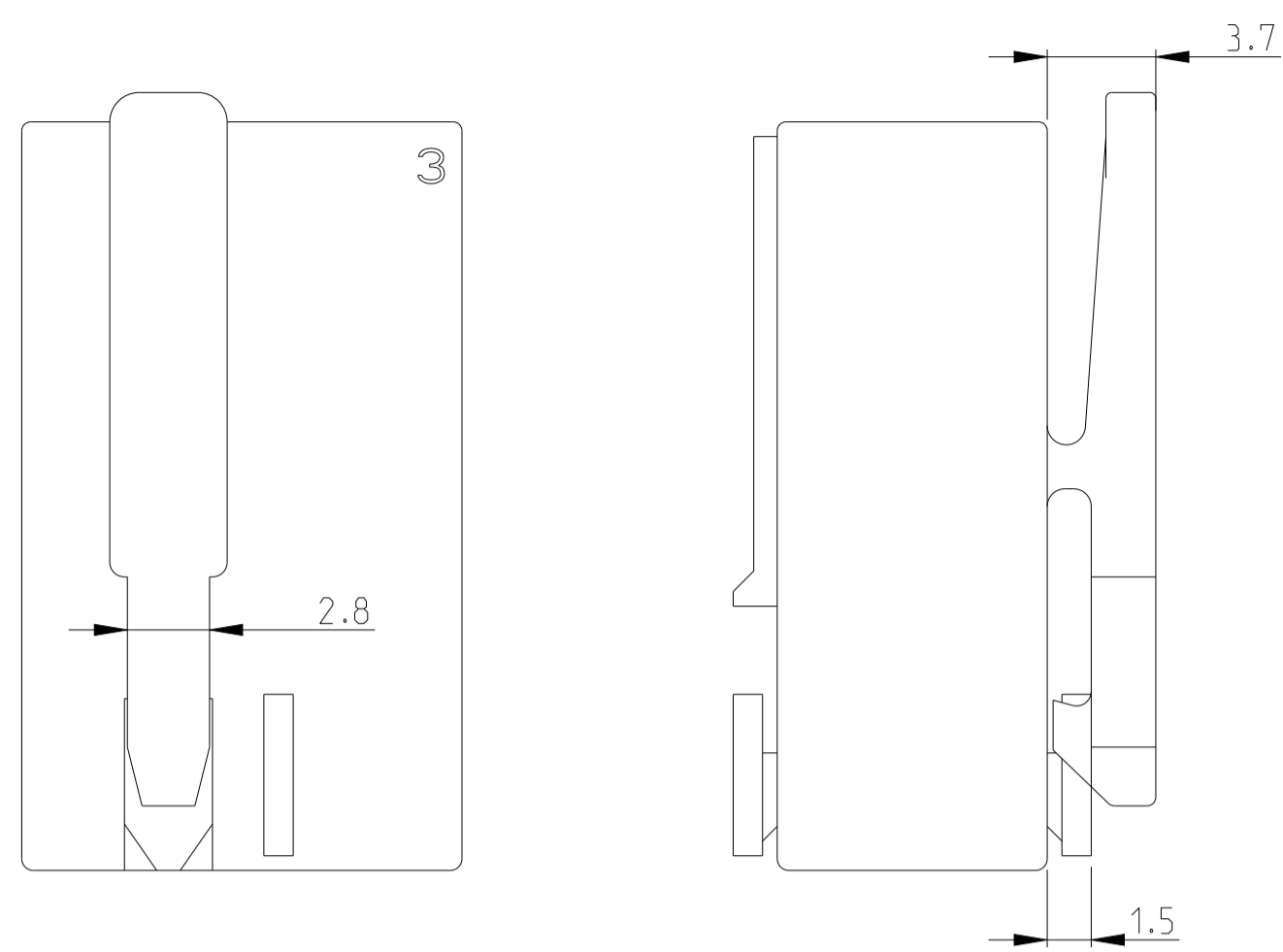
- 1 CAVITY SUITABLE FOR STANDARD TIMER CONTACTS LISTED IN PROD.SPEC. 108-18049, ITEM 3.3.2
Kammer geeignet für Standard Timer Kontakte gelistet in Prod. Spec. 108-18049, Punkt 3.3.2
- 2 CONTACT CAVITY NO.
Kontaktkammernummerierung
- 3 MATING STOP
Tiefenanschlag
- 4 AREA FOR TE LOGO ACC: TO SPEC 202-36
Bereich für TE Logo nach Spec. 202-36
- 5 POLARIZATION RIB POSITION "a" AND/OR "b"
Polarisierungsrippe Position "a" und/oder "b"
- 6 KEYING RIB POSITION "c" AND/OR "d"
Kodierrippe Position "c" und/oder "d"
- 6a KEYING RIB POSITION "c" AND/OR "d" AT THE END WALLS OF THE HOUSING
Kodierrippe Position "c" und/oder "d" an den Gehäusestirnseiten
- 7 LOCKING LATCH
Rasthaken
- 8 TE PART NO (PN)
TE Bestell Nr. (PN)
- 9 DESIGN OF THE HOUSINGS ACC. TO RAST 5 STANDARD
Gehäuseausführung gemäss RAST 5 Vorgabe
- 10 GENERAL SUITABLE TAB HEADER SEE RAST 5 PERFORMANCE
Generell passende Flachsteckerwannen siehe RAST 5 Vorgabe
- 11 PACKAGING: BULK PACKAGING IN CORRUGATED BOX PN 740580-2
2 POS. 2500 PIECES PER BOX / 3 POS. 2000 PIECES PER BOX
Verpackung: Schüttgut in Versandkarton Pn 740580-2
2pol. 2500 Stück per Karton / 3pol. 2000 Stück per Karton
- 12 DIMENSION A, B C AND D SEE SHEET 2 OF 3
- 13 MATERIAL CORRESPONDS TO THE REQUIRMENT EN 60335
(INCL. GLOW WIRE TEST 750° WITHOUT FLAME)
Material entspricht den Anforderungen der EN 60335
(inkl. Glühdrahttest 750° ohne Flamme)
- 14 RATIO NUMBER OF THE KEYING VERSION, INKJET PRINTED. SEE SHEET 2
Kodierungskennnummer, mit Tintenstrahldrucker aufgebracht. siehe Blatt 2
- 15 PRELIMINARY- NOT RELEASED FOR PRODUCTION
- 16 ONLY FOR 9-1241961-7, DIMENSION 3.2 -0.2
- 17 DOUBLE SOURCE RESIN: ALTERNATIVE RESIN UNDER APPROVAL
- 18 ALLOWED 25±0.2 FOR P/Ns X-2364739-X.



SCALE 2:1

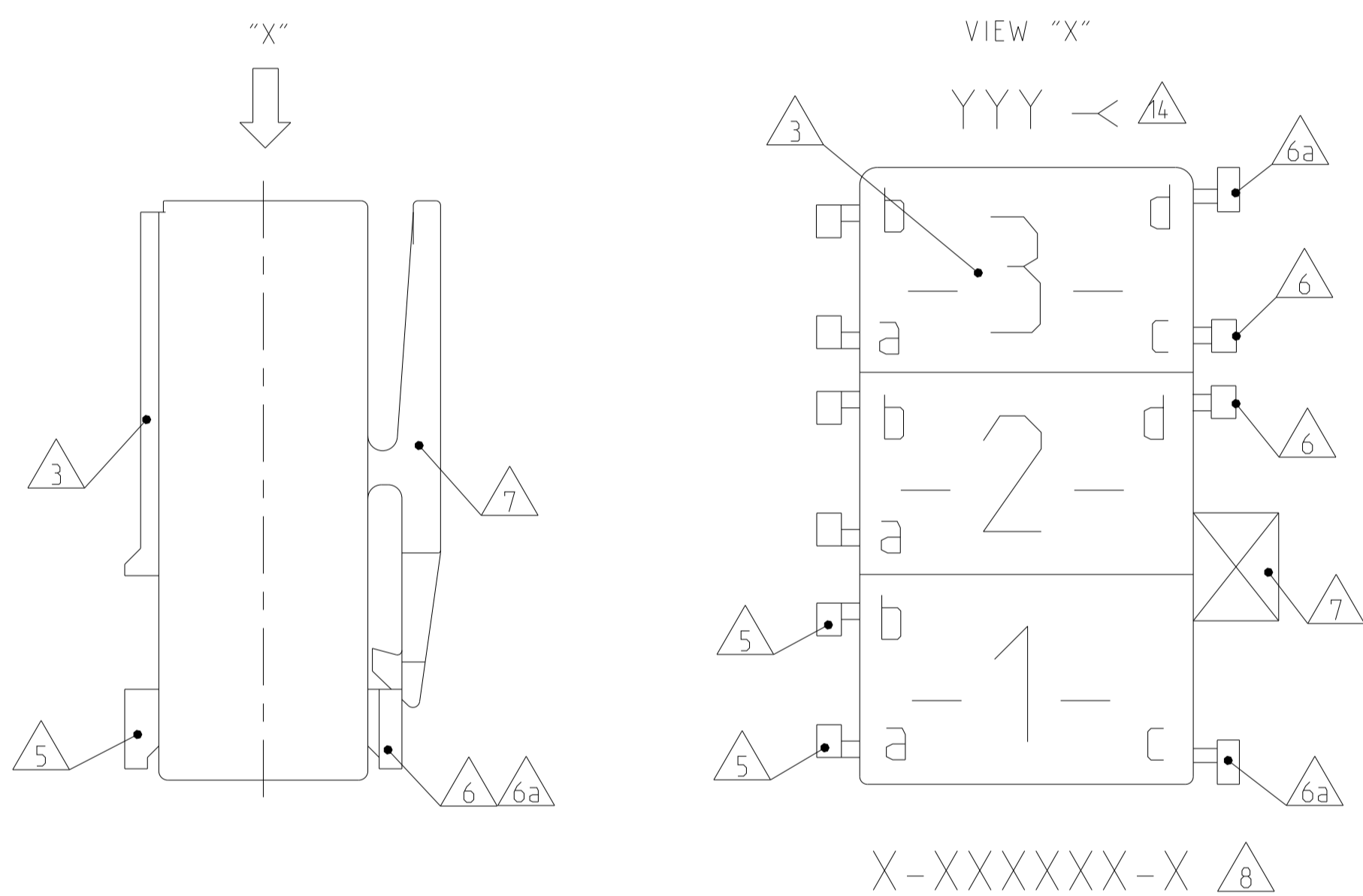
THIS DRAWING IS A CONTROLLED DOCUMENT.		OWN	Kishor M	18-10-07	
		CHK	K. MUNDZ	18-10-07	
DIMENSIONS:		TOLERANCES UNLESS OTHERWISE SPECIFIED:		NAME	
mm	0 PLC ±0.2	1 PLC ±0.2		Tr. Klenner	
	2 PLC ±0.2	3 PLC ±0.2		PRODUCT SPEC	
	4 PLC ±0.2	5 PLC ±0.2		108-18049-1	
	ANGLES	FINISH		APPLICATION SPEC	
MATERIAL	SEE TABLES, SHEETS PAGE 2 AND 3 OF 4	WEIGHT	-	SIZE	CAGE CODE
		Customer Drawing		A1	00779
				DRAWING NO	1241961
				RESTRICTED TO	-
				SCALE	5:1
				SHEET	1 OF 4
				REV	E7

ONLY 5-1241961-7, 1-1241961-9, 7-1241961-7, 2345753-1, 2-2178571-3



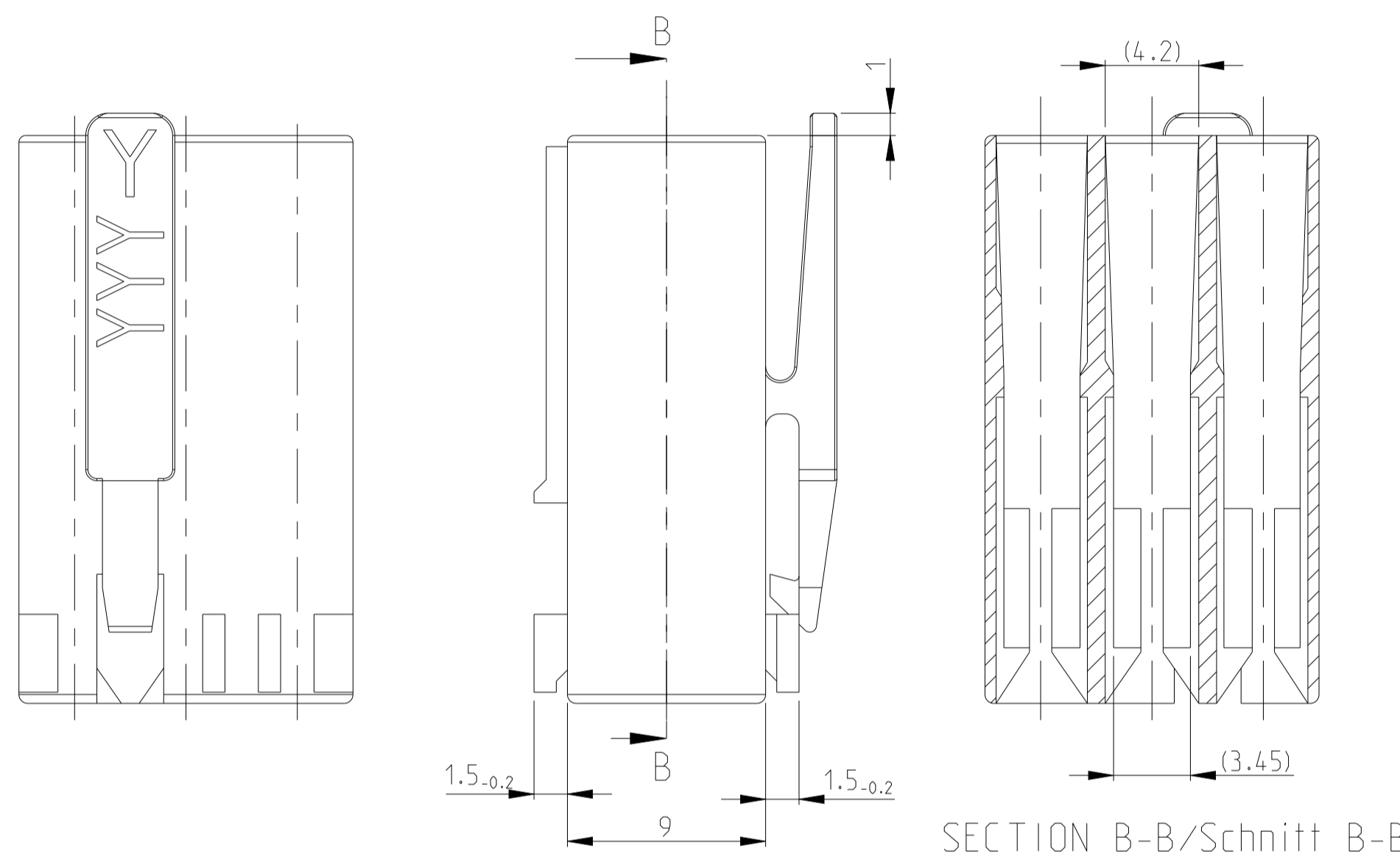
ALL OTHER DIMENSIONS SEE SHEET 1 OF 3

KEY LAYOUT DESCRIPTION



PAY ATTENTION !
DIFFERENT CAVITY GEOMETRY AND LOCKING LATCHE OVERHANG
Bitte beachten !
Unterschiedliche Kammergeometrie und Rasthakenuberstand.

FOR 2 POS. AND 3 POS.



ALL OTHER DIMENSIONS SEE SHEET 1 OF 3
Alle anderen Masse siehe Seite 1 von 3

SPECIAL MATERIAL: UL94 V0								
2345753-1	3	6	1	15	10	PA66	NATURAL	C

SPECIAL MATERIAL								
1955507-4	4	6	1	20	15	PA66	NATURAL	1
9-1955506-2	2	6	1	10	5	UL 94 V0	NATURAL	1

PART NO	POS	DIM C	DIM D	DIM A	DIM B	MATERIAL	COLOUR Farbe	REV./Rev.
6-1241961-7	3			15	10	PA 6 UL94V-2	NATURAL	1
4-1241961-7	3			15	10	PA 6 UL94V-2	NATURAL	A
3-1241961-7	3	4	0.5	15	10	PA 6 UL94V-2	NATURAL	A
1-1955422-7	3			15	10	PA 66 UNFILLED UL94 V0	NATURAL	A
5-1955422-7	3			15	10	PA 66 UNFILLED UL94 V0	NATURAL	A
4-1955422-3	2	6	1	10	5	PA 66 UNFILLED UL94 V0	NATURAL	A
2-1241817-3	3	4 or 6	0.5 or 1	15	10	PA 66 UL94 V-2	Green	E
0-1955422-6	3			15	10	PA 66 UNFILLED UL94 V0	NATURAL	A
8-1241961-8	3			15	10			C
0-1241961-8	3			15	10	PA 6 UL94V-2	natural	A
8-1241961-3	2	4	0.5	10	5			C
3-1241961-1	2			10	5	PA 6 UL94V-2	NATURAL	C
0-1955422-1	2			10	5	PA 66 UNFILLED UL94 V0	NATURAL	A

SPECIAL VERSION: UL94 V0 & GWT 750NF								
2178571-3	4			20	15	PA 66, UL94 V-0	NATURAL	
2178571-1	3			15	10	PA 66, UL94 V-0	NATURAL	
2178571-2	2			10	5	PA 66, UL94 V-0	NATURAL	
2-2178571-3	3			15	10	PA 66, UL94 V-0	NATURAL	
1-2178571-3	3			15	10	PA 66, UL94 V-0	NATURAL	
PART NO	POS	DIM C	DIM D	DIM A	DIM B	MATERIAL	COLOUR Farbe	

REVISIONS											
NO	DATE	DESCRIPTION	DATE	BY	APPROV						
SEE SHEET-01											
0-1241959-5	5	25	20		B						
4-1241959-4	4	20	15		A						
2-1241959-4	4	20	15		B						
0-1241959-4	4	20	15								
2-1241817-5	5	6	1	25	20						
0-1241817-5	4	0.5		25	20						
3-1241817-4	4			20	15						
2-1241817-4	4	6	1	20	15						
0-1241817-4	4	0.5		20	15						
2-1241983-2				10	5						
1-1241983-2				10	5						
0-1241983-2	2	4	0.5	10	5						
8-1241983-2				10	5						
5-1241983-3				10	5						
6-1241983-2				10	5						
9-1241961-7		4	0.5	15	10						
9-1241961-8		4	0.5	15	10						
6-1241961-8		4 or 6	0.5 or 1	15	10						
5-1241961-8		4	0.5	15	10						
4-1241961-8		4 or 6	0.5 or 1	15	10						
7-1241961-8		6	1	15	10						
1-1241961-8		4	0.5	15	10						
3-1241961-8		4	0.5	15	10						
2-1241961-8		4	0.5	15	10						
2-1241961-7		4	0.5	15	10						
1-1241961-7		4	0.5	15	10						
9-1241961-9		4	0.5	15	10						
0-1241961-6		4	0.5	15	10						
3-1241961-3		4	0.5	10	5						
2-1241961-2		4	0.5	10	5						
5-1241961-2		4	0.5	10	5						
4-1241961-3		4	0.5	10	5						
7-1241961-2		4	0.5	10	5						
7-1241961-3		4	0.5	10	5						
6-1241961-3		4	0.5	10	5						
3-1241961-2		4	0.5	10	5						
5-1241961-3		4	0.5	10	5						
6-1241961-2		4	0.5	10	5						
0-1241961-3		4	0.5	10	5						
8-1241961-2		4	0.5	10	5						
9-1241961-2		4	0.5	10	5						
0-1241961-1		4	0.5	10	5						
9-969484-9	3	6	1	15	10						
2-969484-8		6	1	15	10						
1-969484-8		4 or 6	0.5 or 1	15	10						
0-969484-8		4	0.5	15	10						
9-969484-7		4	0.5	15	10						
8-969484-7		4	0.5	15	10						
7-969484-7		4	0.5	15	10						
6-969484-7		4	0.5	15	10						
5-969484-7		4	0.5	15	10						
4-969484-7		4	0.5	15	10						
3-969484-7		4	0.5	15	10						
2-969484-7		4	0.5	15	10						
1-969484-7	3	4	0.5	15	10						
0-969484-7		4	0.5	15	10						
9-969484-6		6	1	15	10						
8-969484-6		6	1	15	10						
7-969484-6		6	1	15	10						
6-969484-6		6	1	15	10						
5-969484-6		6	1	15	10						
4-969484-6		6	1	15	10						
3-969484-6		6	1	15	10						
2-969484-6		6	1	15	10						
1-969484-6		6	1	15	10						
0-969484-6		6	1	15	10						
9-969484-3		4	0.5	10	5						
8-969484-3		4	0.5	10	5						
7-969484-3		4	0.5	10	5						
6-969484-3		4	0.5	10	5						
5-969484-3		4	0.5	10	5						
4-969484-3		4	0.5	10	5						
3-969484-3		4	0.5	10	5						
2-969484-3		4	0.5	10	5						
1-969484-3		4	0.5	10	5						
0-969484-3		4	0.5	10	5						
9-969484-2		4	0.5	10	5						
8-969484-2		4	0.5	10	5						
7-969484-2		4	0.5	10	5						
6-969484-2		4	0.5	10	5						
5-969484-2		4	0.5	10	5						
4-969484-2		4	0.5	10	5						
3-969484-2		4	0.5	10	5						
2-969484-2		4	0.5	10	5						
1-969484-2		4	0.5	10	5						
0-969484-2		4	0.5	10	5						
9-969484-1		6	1	10	5						
8-969484-1		4	1	10	5						
7-969484-1		4	1	10	5						
6-969484-1		6	1	10	5						
5-969484-1		6	1	10	5						
4-969484-1		6	1	10	5						
3-969484-1		4	0.5	10	5						
2-969484-1		4	0.5	10	5						
1-969484-1		4	0.5	10	5						
0-969484-1		4	0.5	10	5						

THIS DRAWING IS A CONTROLLED DOCUMENT.

DIMENSIONS: mm

TOLERANCES UNLESS OTHERWISE SPECIFIED:

0 PLC ±0.2

1 PLC ±0.2

2 PLC ±0.2

3 PLC ±0.2

4 PLC ±0.2

ANGLES FINISH

MATERIAL SEE TABLES, SHEETS PAGE 2 AND 3 OF 4

Customer Drawing

STANDARD TIMER HSG. RAST 5 MARK II
Standard Timer Gehäuse RAST 5 Mark II

SIZE: A1

CAGE CODE: 00779

DRAWING NO: 1241961

RESTRICTED TO: -

SCALE: 5:1

SHEET: 2 OF 4

REV: E7

LOC	DIST	P	LTN	DESCRIPTION	DATE	DNW	APVD
				SEE SHEET-01			

SPECIAL VERSION: UL94 V0 & GWEPT 750°C NF									
2364739-5	5	4	0.5	25	20	PA66 13 17	BLUE	C	
2364739-4	4			20	15		BLUE	C	
1-2364739-3	3			15	10		BLUE	C	
2364739-3	3			15	10		BLUE	C	
1-2364739-2	2			10	5		BLUE	C	
2364739-2	2			10	5		BLUE	C	
3-2364739-2	2	10	5	BLUE	C				
2-2364739-2	2	10	5	BLUE	C				

SPECIAL VERSION: UL94 V0 & GWT 750 NF & CTI 350									
5-1241961-7	3	6	1	15	10	PA66 13	NATURAL	A	
1-1241961-9	3			15	10		NATURAL	A	
7-1241961-7	3			15	10		NATURAL	A	

SPECIAL VERSION: UL94 V0 & GWT 750 NF									
2322164-1	4	4	0.5	20	15	PA66 13	NATURAL	1	

SPECIAL VERSION: UL94 V2 & GWT 750 NF									
6-2178575-7	3	4	0.5	15	10	PA6 GF15 13	NATURAL	A	

SPECIAL VERSION: UL94 V0 & GWT 750 NF									
3-2178412-7	3	6	1	15	10	PA66 13 UL94 V0 & GWT 750 NF	NATURAL	1	
4-2178412-7	3			15	10		NATURAL	1	
8-2178412-2	2			10	5		NATURAL	1	

UL94 V0 & GWT 750 NF											
2322917-4	4	4	0.5	20	15	PA66 13 UL94 V0 & GWT 750 NF	NATURAL	C			
2322917-2	2			10	5		NATURAL	C			
2315717-1	2			10	5		NATURAL	C			
2315717-2	2			10	5		NATURAL	C			
2315717-3	2			10	5		NATURAL	C			
1-2315717-2	2			10	5		NATURAL	E			
2-2315717-2	2			10	5		NATURAL	E			
2315717-4	4			20	15		NATURAL	C			
2315717-5	4			20	15		NATURAL	C			
2315717-6	3			15	10		NATURAL	C			
2315717-7	3			15	10		NATURAL	C			
1-2315717-3	3			15	10		NATURAL	E			
PART NO.	POS			DIM C	DIM D		DIM A	DIM B	MATERIAL	COLOUR	REV.

THIS DRAWING IS A CONTROLLED DOCUMENT.		DNW Kishor M 18-10-07	
DIMENSIONS: mm		CHK K.Mundz 18-10-07	
TOLERANCES UNLESS OTHERWISE SPECIFIED:		APVD Tb. Klenner 18-10-07	NAME STANDARD TIMER HSG. RAST 5 MARK II Standard Timer Gehäuse RAST 5 Mark II
0 PLC ±0.2 1 PLC ±0.2 2 PLC ±0.2 3 PLC ±0.2 4 PLC ± ANGLES ±° FINISH -		PRODUCT SPEC 108-18049	SIZE A1
MATERIAL SEE TABLES, SHEETS PAGE 2 AND 3 OF 4		APPLICATION SPEC	CAGE CODE 00779
Customer Drawing		WEIGHT	DRAWING NO 1241961
		SCALE 5:1	RESTRICTED TO REV E7

