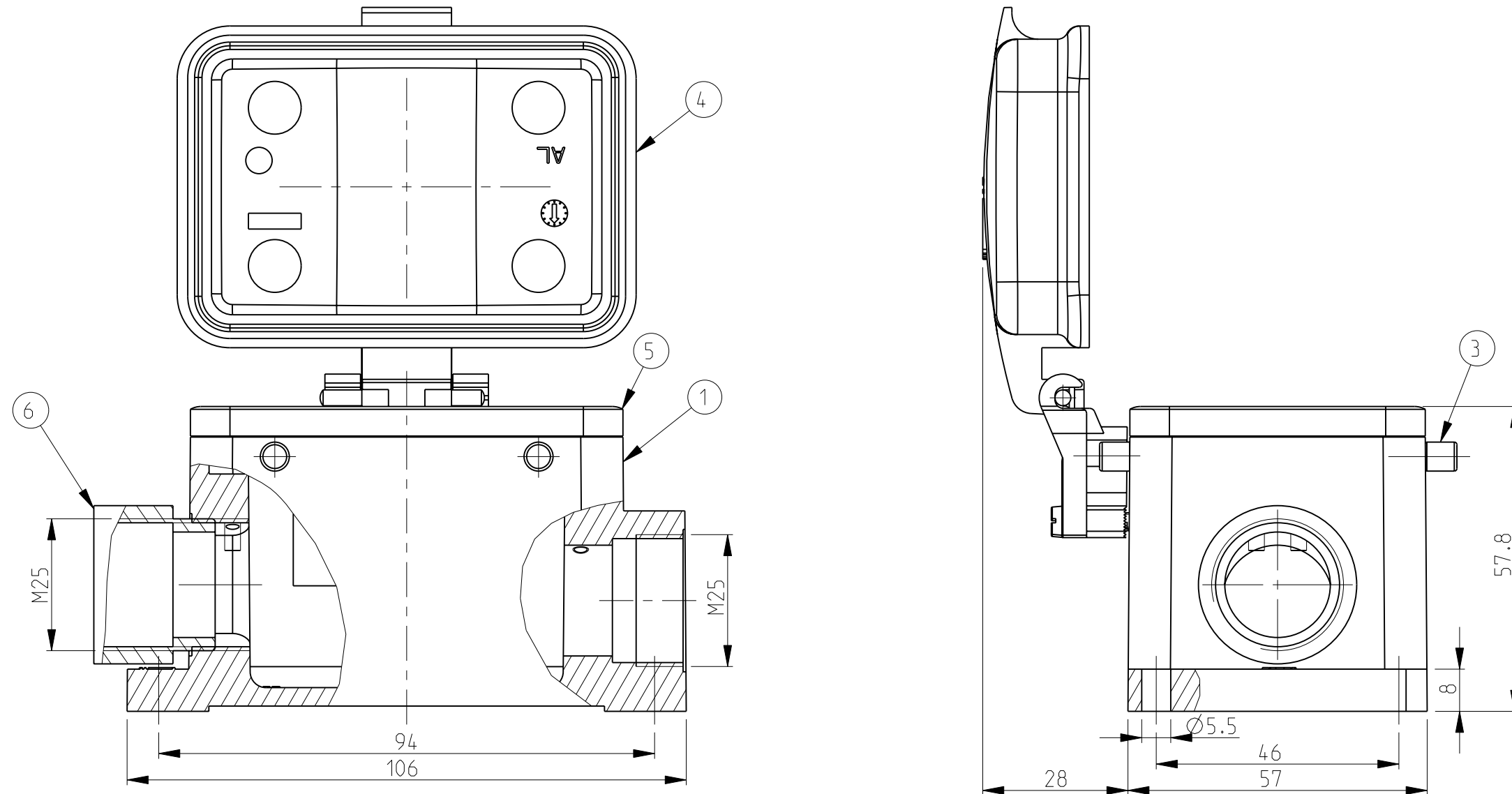


THIS DRAWING IS UNPUBLISHED. RELEASED FOR PUBLICATION .1997
 © COPYRIGHT 1997 BY TYCO ELECTRONICS CORPORATION. ALL RIGHTS RESERVED.

LOC	DIST	REVISIONS			
P	LTR	DESCRIPTION	DATE	DWN	APVD
A1	-	Released as per ECR-08-019772	04.Sep.2008	SP	TS

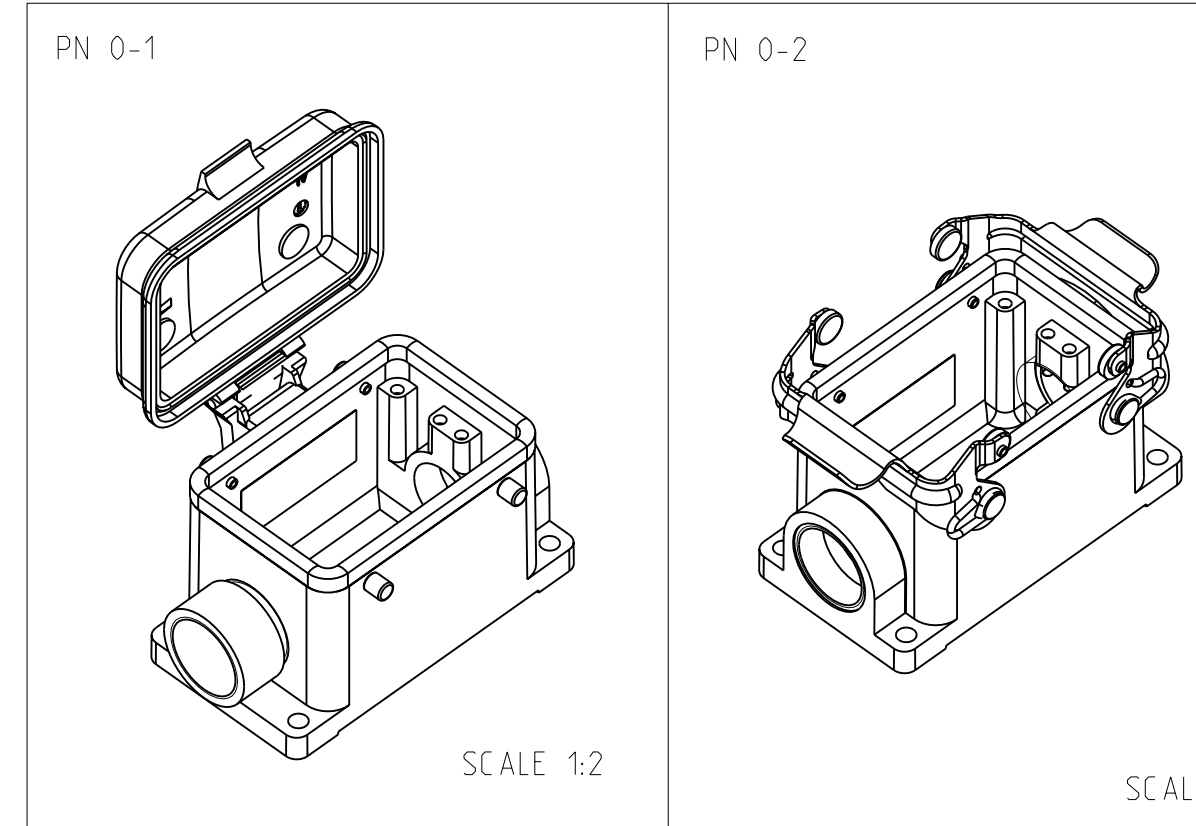
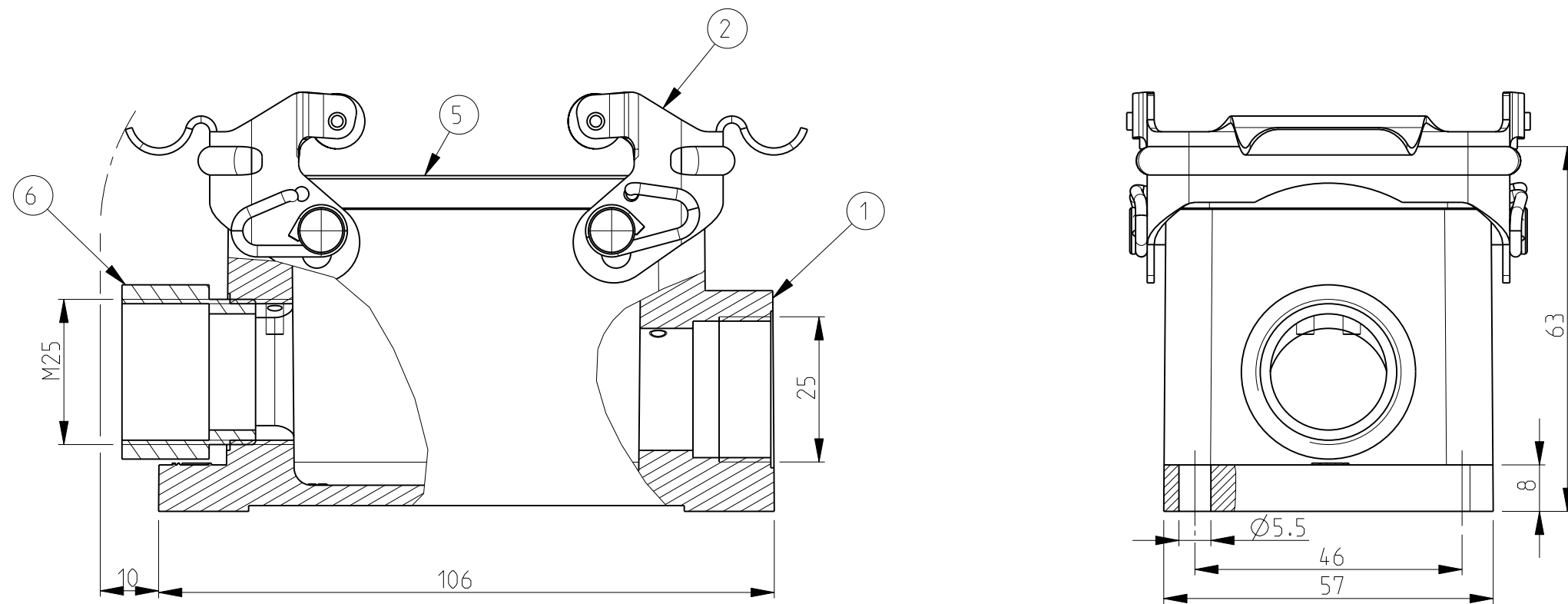
PN 0-1



NOTES.

- 1 Material:Housing:Aluminium Diecasting Alloy
Seals:Neoprene
- 2 Surface:Varnish grey
- 3 Varnish on the inside not necessary
- 4 Packaging
Quantity 5 Pieces in a box

PN 0-2



1	1	Adaptor M25	Brass	Nickel plated	-	6
1	1	Profile seal	Neoprene		Black	5
-	1	Cover	Steel	Zinc plated	Blue	4
-	4	Clip bolt	Steel	Zinc plated	Grey	3
2	-	Locking clip	Steel	Zinc plated	Blue	2
1	1	Housing HA.32.	Aluminium		Grey RAL7001	1
0-2	0-1	DESCRIPTION	MATERIAL	SURFACE	COLOR	ITEM
		HA.32.SGD.2.M25.Z				
		HA.32.SG-VS.2.M25.Z				

DIMENSIONS:		TOLERANCES UNLESS OTHERWISE SPECIFIED:		DWN		Tyco Electronics	
mm		DIN 9130		Schneider 22.05.02		Tyco Electronics. AMP.GmbH	
		0 PLC ± 1 PLC ± 2 PLC ± 3 PLC ± 4 PLC ± ANGLES ± FINISH ±		CHK Schneider 22.05.02		D-53757 Sankt Augustain. Germany	
MATERIAL		FINISH		APVD Schweiger		NAME	
				PRODUCT SPEC		Surface mounted housing side entry	
				APPLICATION SPEC		HA.32.SG.2.M25	
				WEIGHT		SIZE CAGE CODE DRAWING NO	
				CUSTOMER DRAWING		A2 00779 C=1106455	
				SCALE		RESTRICTED TO	
				1:1		SHEET 1 OF 1 REV A3	