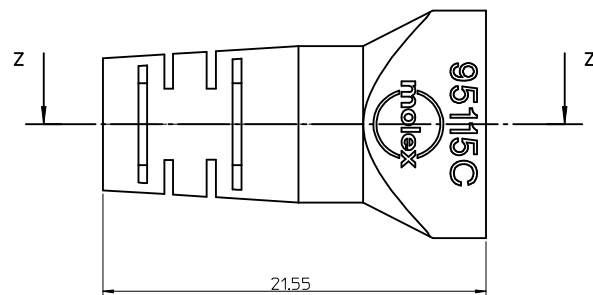
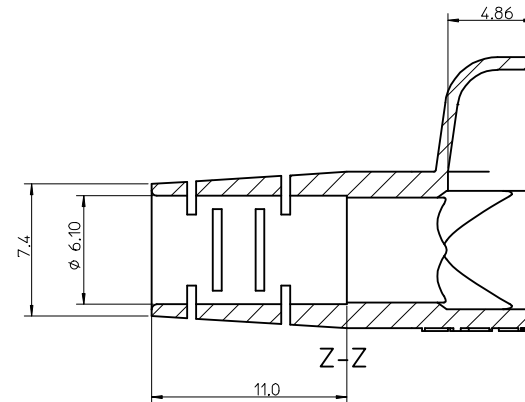
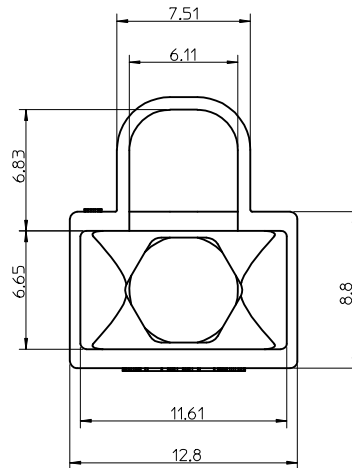
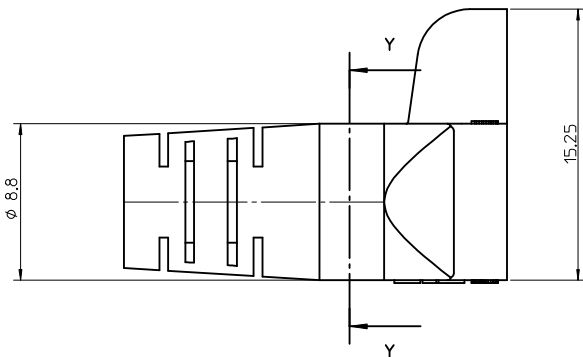
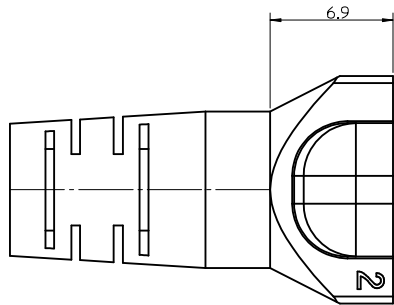
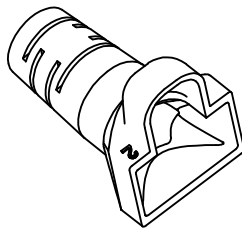


PART NUMBER CHART			
PART NUMBER	MARKING	COLOUR	RAL NBR
95115-4881	95115 C	BLACK	9005
95115-4882	95115 C	GREY	7035
95115-4883	95115 C	GREEN	6016
95115-4884	95115 C	RED	3000
95115-4885	95115 C	YELLOW	1021
95115-4886	95115 C	BLUE	5015
95115-4887	95115 C	ORANGE	2003

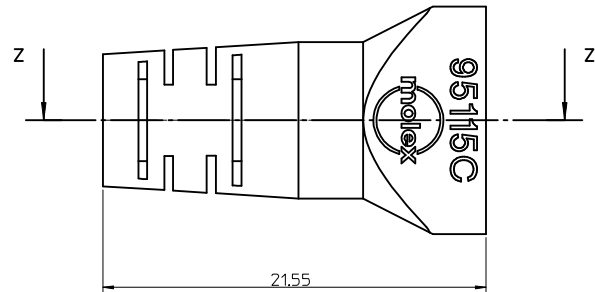
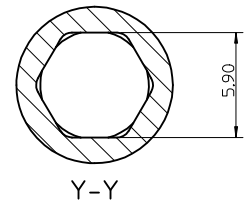
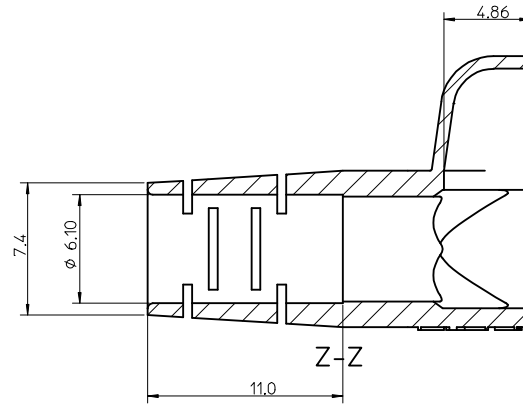
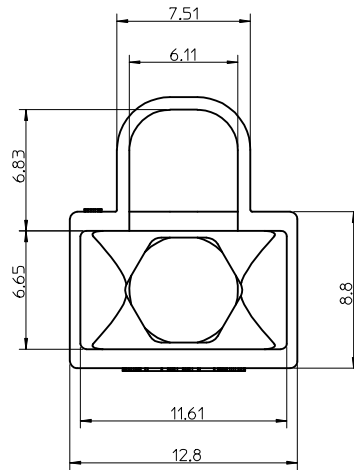
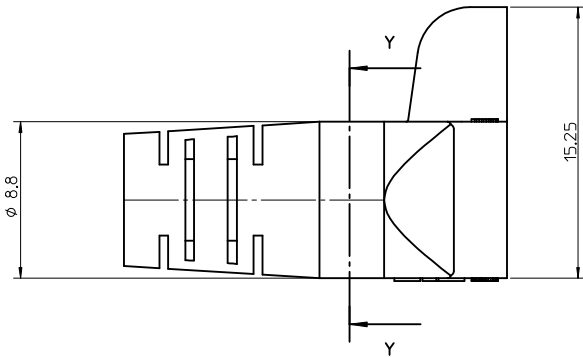
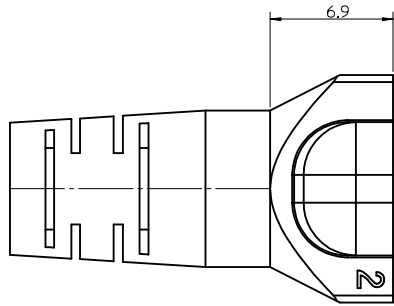


- NOTES:
- 1- MATERIAL: THERMOPLASTIC RUBBER 'SANTOPRENE 251-80' FROM MONSANTO RATED UL 94 V-0. HARDNESS 80 SHORE A COLOUR: SEE CHART
 - 2- EXTERNAL ASPECT AND COLOUR MUST BE UNIFORM
 - 3- DIMENSIONS GIVEN ABOUT CENTRELINES ARE SYMMETRICAL ABOUT CENTRELINES WITHIN HALF THE TOTAL TOLERANCE.
 - 4- NO BURRS, MARKS ALLOWED ON ALL OUTER SURFACES.
 - 5- APPLICATION SPECIFICATION: AS-85568-002
 - 6- PACKAGING SPECIFICATION: SEE PK-95115-001

ORIGINAL RELEASE EC NO: E2007-0982 DRAWN: DBYRNES 2007/05/24 CHKD: 2007/05/24 APPR: EOMAHONY 2007/05/25	QUALITY SYMBOLS ▽=0 ▽=0	GENERAL TOLERANCES (UNLESS SPECIFIED)		DIMENSION STYLE MM ONLY		SCALE 5:1	DESIGN UNITS METRIC	THIRD ANGLE PROJECTION	
		4 PLACES ± --- ± ---	mm INCH	DRAWN BY DBYRNES	DATE 2007/05/22	TITLE ROUND CABLE BOOT WITH LATCH PROTECTION FOR MODULAR PLUG			
		3 PLACES ± --- ± ---		CHECKED BY EOMAHONY	DATE 2007/05/23	MOLEX INCORPORATED			
		2 PLACES ± 0.20 ± ---		APPROVED BY EOMAHONY	DATE 2007/05/23	SD-95115-001			
1 PLACE ± 0.3 ± ---		ANGULAR ± .5 °		MATERIAL NO. SEE CHART		DOCUMENT NO.		SHEET NO. 1 OF 1	
DRAFT WHERE APPLICABLE MUST REMAIN WITHIN DIMENSIONS		THIS DRAWING CONTAINS INFORMATION THAT IS PROPRIETARY TO MOLEX INCORPORATED AND SHOULD NOT BE USED WITHOUT WRITTEN PERMISSION							



PART NUMBER CHART			
PART NUMBER	MARKING	COLOUR	RAL NBR
95115-4881	95115 C	BLACK	9005
95115-4882	95115 C	GREY	7035
95115-4883	95115 C	GREEN	6016
95115-4884	95115 C	RED	3000
95115-4885	95115 C	YELLOW	1021
95115-4886	95115 C	BLUE	5015
95115-4887	95115 C	ORANGE	2003



NOTES:

- 1- MATERIAL: THERMOPLASTIC RUBBER 'SANTOPRENE 251-80' FROM MONSANTO RATED UL 94 V-0. HARDNESS 80 SHORE A COLOUR: SEE CHART
- 2- EXTERNAL ASPECT AND COLOUR MUST BE UNIFORM
- 3- DIMENSIONS GIVEN ABOUT CENTRELINES ARE SYMMETRICAL ABOUT CENTRELINES WITHIN HALF THE TOTAL TOLERANCE.
- 4- NO BURRS, MARKS ALLOWED ON ALL OUTER SURFACES.
- 5- APPLICATION SPECIFICATION: AS-85568-002
- 6- PACKAGING SPECIFICATION: SEE PK-95115-001

ORIGINAL RELEASE EC NO: E2007-0982 DRAWN: DBYRNES 2007/05/24 CHKD: 2007/05/24 APPR: EOMAHONY 2007/05/25	QUALITY SYMBOLS ▽=0 ▽=0	GENERAL TOLERANCES (UNLESS SPECIFIED)		DIMENSION STYLE MM ONLY	SCALE 5:1	DESIGN UNITS METRIC	THIRD ANGLE PROJECTION	
		4 PLACES ± --- ± ---	mm INCH	DRAWN BY DBYRNES	DATE 2007/05/22	TITLE ROUND CABLE BOOT WITH LATCH PROTECTION FOR MODULAR PLUG		
		3 PLACES ± --- ± ---		CHECKED BY EOMAHONY	DATE 2007/05/23	MOLEX INCORPORATED		
		2 PLACES ± 0.20 ± ---		APPROVED BY EOMAHONY	DATE 2007/05/23	MATERIAL NO. SEE CHART	DOCUMENT NO. SD-95115-001	SHEET NO. 1 OF 1
1 PLACE ± 0.3 ± ---		ANGULAR ± .5 °		THIS DRAWING CONTAINS INFORMATION THAT IS PROPRIETARY TO MOLEX INCORPORATED AND SHOULD NOT BE USED WITHOUT WRITTEN PERMISSION				
DRAFT WHERE APPLICABLE MUST REMAIN WITHIN DIMENSIONS								