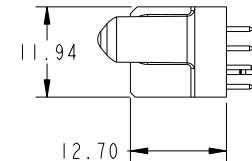
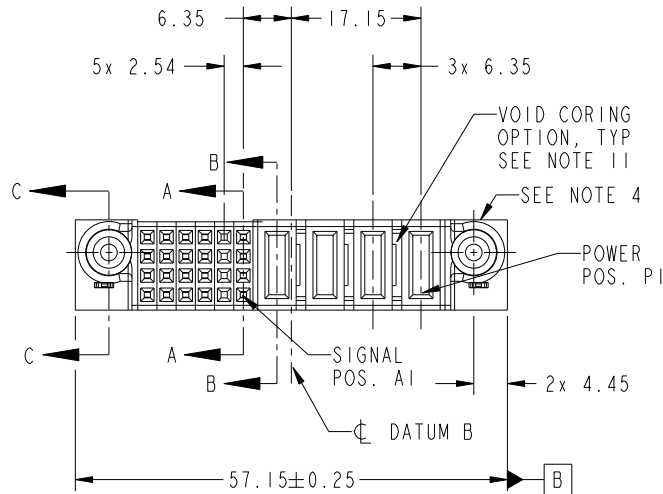


PRODUCT NO.	ROWS	SIGNAL					POWER						
		E2	6	5	4	3	2	1	P4	P3	P2	P1	E1
51752-037-- NOTE: 3	D C B A		E	E	E	E	X	E	PA	PA	PA	PA	

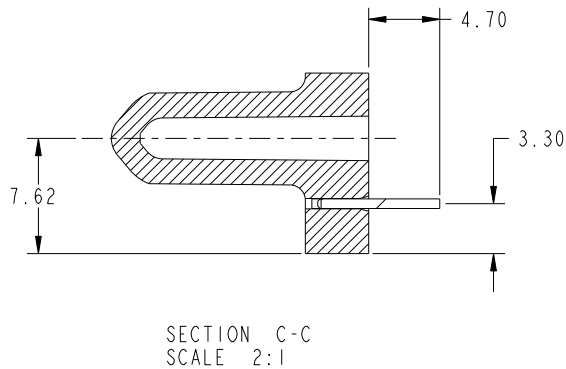
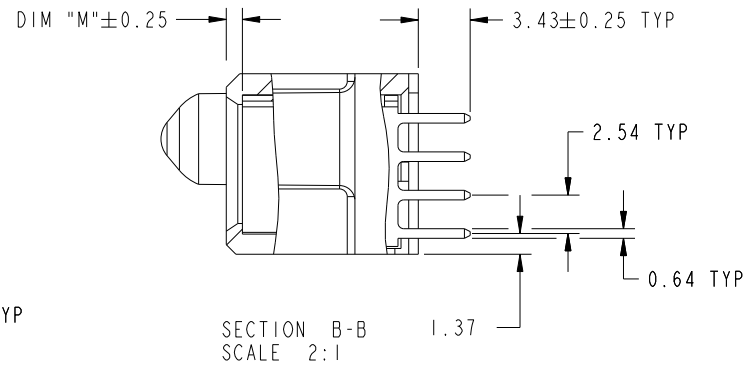
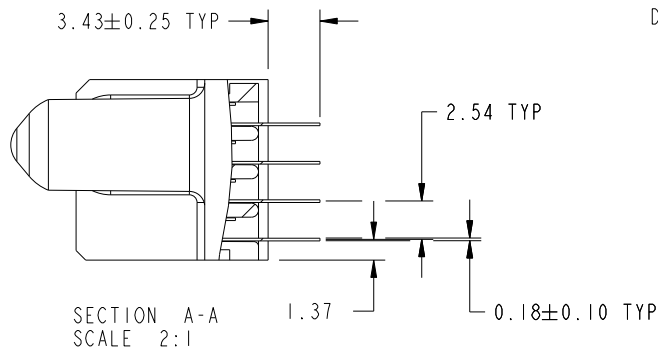


CODE	DIM "M" MATING LENGTH	CONTACT TYPE
E	[N/A]	SIGNAL
PA	[1.07]	POWER
HA	[N/A]	HOLD-DOWN
X	[N/A]	OMITTED

spec ref	*	dr	Ruan MT	2014/11/24	projection	MM	size	A4	scale	1:1			
tolerance std	TOLERANCES UNLESS OTHERWISE SPECIFIED	eng	De-Ming Lu	2014/12/17			ecn no	-					
SEE NOTE		chr	-	-	product family			PwrBlade	rel level	Released			
surface	linear	0.X	±0.5		title	4P + 24S	dwg no	51752-037	rev	A			
		0.XX	±0.25							www.fci.com	cat. no.	Product - Customer Drw	sheet 1 of 4
	angular	0°	±2°										

PRODUCT NUMBER

51752-037--
NOTE: 3



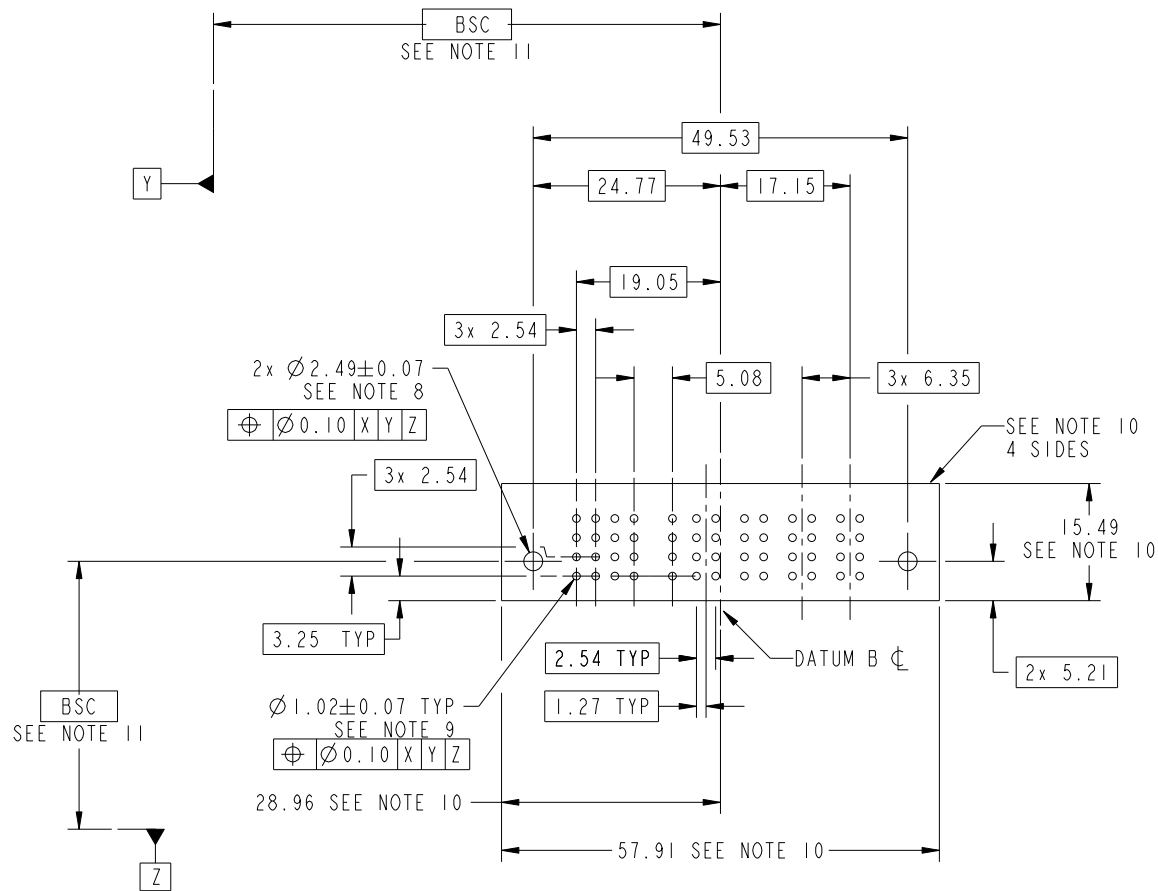
dr	Ruan MT	2014/11/24	projection 	MM 	size	A4	scale	1:1
eng	De-Ming Lu	2014/12/17			ecn no	-		
chr	-	-			rel level	Released		
appr	Pei-Ming Zheng	2014/12/17	product family	PwrBlade	rev	A		
		title 4P + 24S VERTICAL STB RECEIPT	dwg no 51752-037	sheet 2 of 4				
www.fci.com	cat. no.	*	Product - Customer Drw					



Copyright FCI.

PRODUCT NUMBER

51752-037--
NOTE: 3



RECOMMENDED PCB LAYOUT

dr	Ruan MT	2014/11/24	projection 	MM ←→	size	A4	scale	1:1	
eng	De-Ming Lu	2014/12/17			ecn no	-			
chr	-	-			rel level	Released			
appr	Pei-Ming Zheng	2014/12/17	product family	PwrBlade					
	title	4P + 24S VERTICAL STB RECEPT			dwg no	51752-037		rev	A
www.fci.com	cat. no.	*	Product - Customer Drw			sheet 3 of 4			



Copyright FCI.

PRODUCT NUMBER

51752-037--
NOTE: 3

NOTES:

1. DIMENSIONS AND TOLERANCES ARE IN ACCORDANCE WITH ASME Y14.5M, 1994 UNLESS OTHERWISE SPECIFIED.

CONNECTOR NOTES:

2 HOUSING MATERIAL: UL 94 V-0 GLASS FILLED HIGH-TEMP THERMOPLASTIC
POWER CONTACT MATERIAL: COPPER ALLOY
SIGNAL PIN MATERIAL: COPPER ALLOY

3. SEE ITEM 5 & 6 IN PRINT 10064183 FOR PLATING SPEC OF 51752-037 AND 51752-037LF RESPECTIVELY.

4 MANUFACTURER'S NAME, DATE CODE AND OPTIONAL P/N TO APPEAR ON THIS SURFACE. THE MARK CAN BE OMITTED IF THERE IS NOT ENOUGH SPACE ON THIS SURFACE.

5. PRODUCT SPECIFICATION GS-12-149.
APPLICATION SPECIFICATION BUS-20-067.

6. PACKAGED IN TRAYS.

PCB NOTES:

7. ALL HOLE DIAMETERS ARE FINISHED HOLE SIZE.

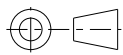


8 MOUNTING HOLES, WHERE APPLICABLE, ARE UNPLATED.

9 $\varnothing 1.151 \pm 0.025$ DRILLED HOLES PLATED WITH
0.008 MIN SnPb OR Sn OVER 0.03
TO 0.08 Cu PLATING TO ACHIEVE
 $\varnothing 1.02 \pm 0.07$ HOLE.

10 CONNECTOR KEEP-OUT ZONE.

11. THE VOID CORING IN BETWEEN POWER MODULES, SIGNAL MODULES AND END MODULES ARE OPTIONAL AND THE SHAPE MAY BE DIFFERENT FOR OPTIMIZE THE MOLDING PROCESS. THE VOID CORING WILL NOT EFFECT TO PRODUCT FUNCTION.

12. DATUM AND BASIC DIMENIONS ARE ESTABLISHED BY CUSTOMER.

dr	Ruan MT	2014/11/24	projection 	MM 	size	A4	scale	1:1
eng	De-Ming Lu	2014/12/17			ecn no	-		
chr	-	-			product family	PwrBlade	rel level	Released
appr	Pei-Ming Zheng	2014/12/17			title 4P + 24S VERTICAL STB RECEIPT	dwg no 51752-037	rev A	
www.fci.com	cat. no.	*	Product - Customer Drw			sheet 4 of 4		



Copyright FCI.