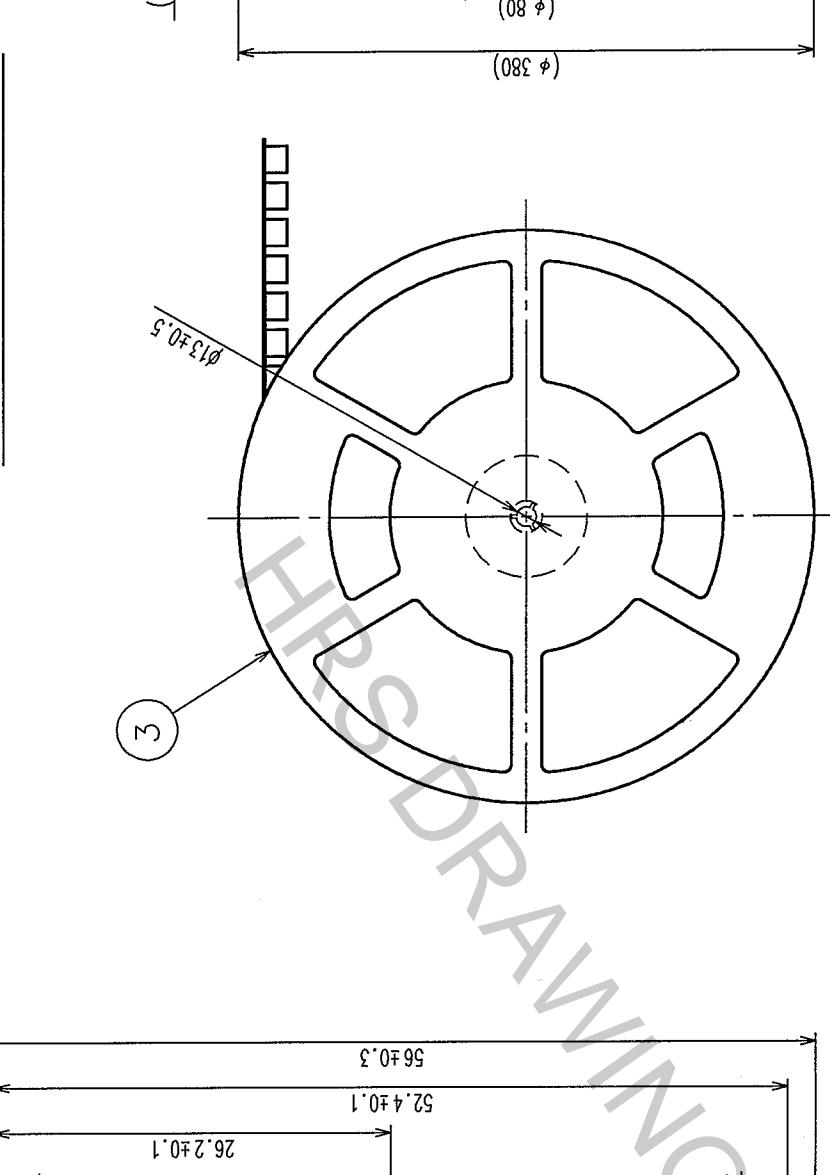
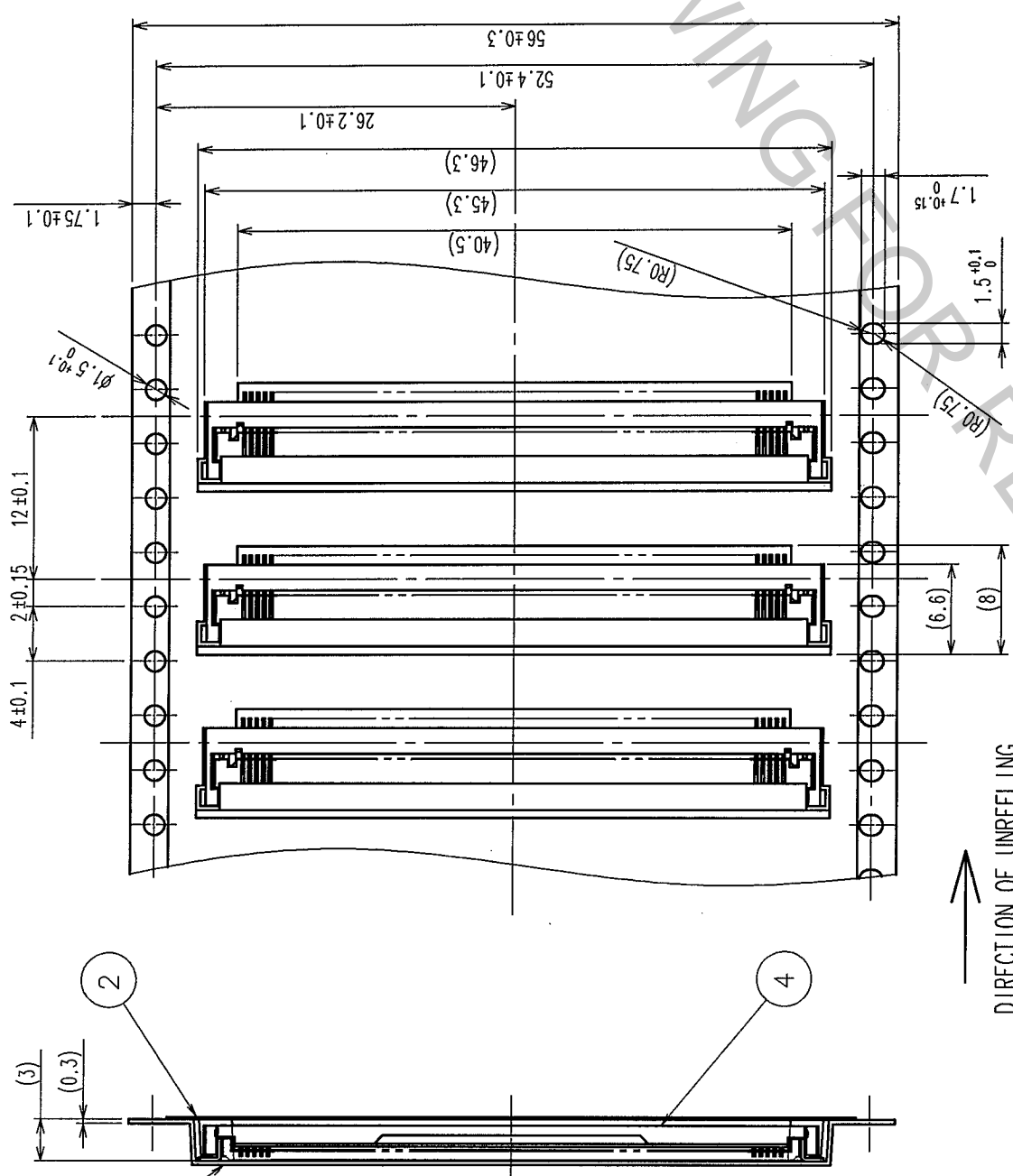


| COUNT | DESCRIPTION OF REVISIONS | BY | CHKD | DATE | COUNT | DESCRIPTION OF REVISIONS | BY | CHKD | DATE |
|-------|--------------------------|----|------|------|-------|--------------------------|----|------|------|
| △ | | | | | △ | | | | |
| △ | | | | | △ | | | | |
| △ | | | | | △ | | | | |

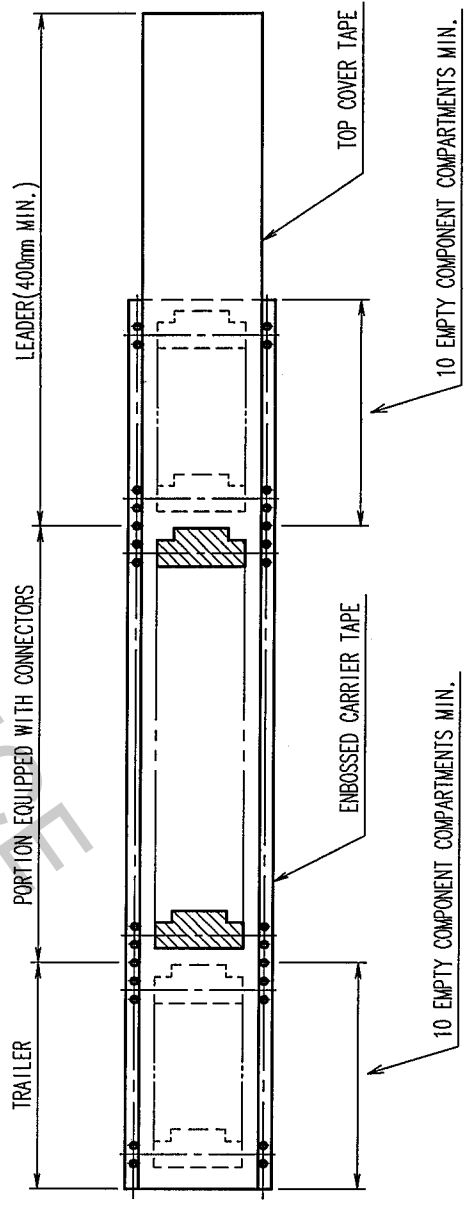
REEL DIMENSION (FREE)



DIRECTION OF UNREELING



NOTE 1 THE DIMENSIONS IN PARENTHESES ARE FOR REFERENCE.
 2 PER REEL : 2000 CONNECTORS.
 3 REFER TO JIS C 0806 (PACKAGING OF COMPONENTS FOR AUTOMATIC HANDLING).



| NO. | MATERIAL | FINISH, REMARKS | NO. | MATERIAL | FINISH, REMARKS |
|-----|-------------|-----------------|-----|-------------|-----------------|
| 2 | POLYESTER | | 4 | (CONNECTOR) | |
| 1 | POLYSTYRENE | | 3 | POLYSTYRENE | |

| CODE NO. (OLD) | CL | DRAWN | DESIGNED | CHECKED | APPROVED | RELEASED |
|----------------|----|-----------|------------|--------------------|--------------------|----------|
| | | D. YAMADA | H. TSUKUMO | <i>S. Hatanaka</i> | <i>R. Takayama</i> | |
| | | 04.06.08 | 04.06.08 | 04.06.08 | 04.06.08 | |

| DRAWING NO. | PART NO. |
|----------------|---------------------|
| EDC3-154339-01 | FH28H-80S-0.5SH(05) |

| SCALE | UNITS | CODE NO. |
|-------|-------|-----------------|
| 2 : 1 | mm | CL586-1805-3-05 |

| | |
|----|----|
| TO | NC |
|----|----|