



Mallory Sonalert Products, Inc.

Part #:

SCE028XD3MG2S

Sales Outline Drawing

Revision:

D

Specifications:

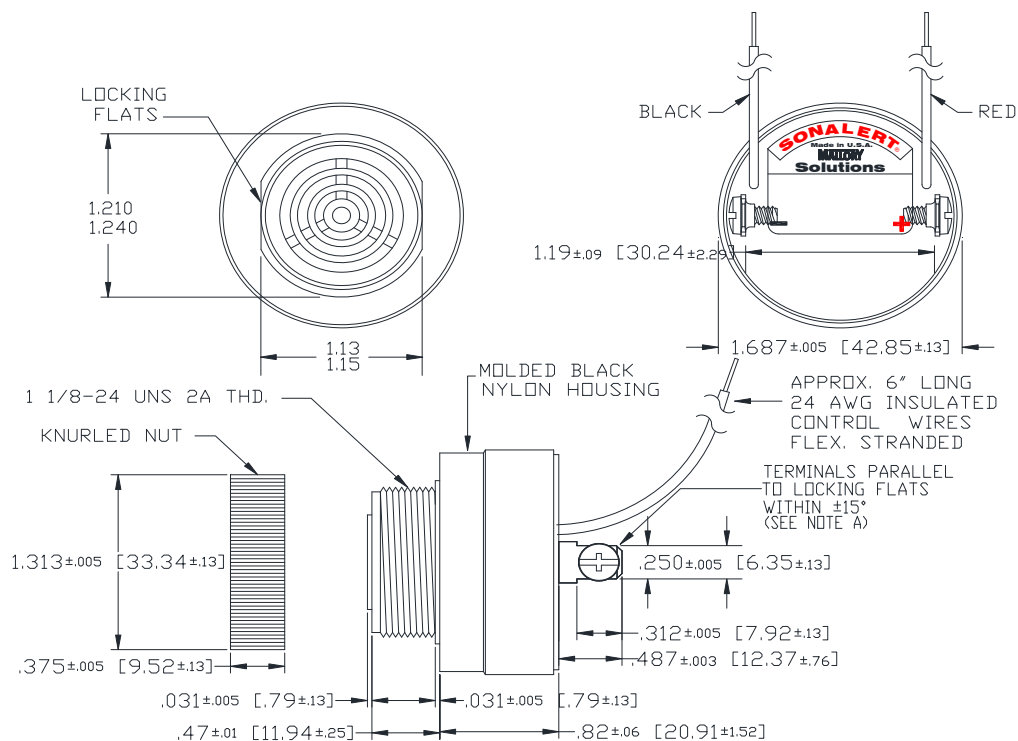
| | | | |
|------------------------|--|------------------------------|----------------------------|
| Sound Level Category: | Extra Loud | Extra Loud | Extra Loud |
| Mode of Operation: | Dual Tone | Siren Sweep | Continuous |
| Loudness @ 2 FT: | 95 to 105 dB(A) Typ. | 95 to 105 dB(A) Typ. | 95 to 105 dB(A) Typ. |
| Pulse Rate (PPS): | 1.5 | 5 | |
| Frequency: | 2900 ± 500 Hz | 2.6 - 3.2 kHz | 2900 ± 500 Hz |
| Connection: | TERMINALS ONLY | TERMINALS; BLACK WIRE TO (-) | TERMINALS; RED WIRE TO (-) |
| Voltage Rating: | 16 to 28 VDC | | |
| Current Draw: | 40mA MAX | | |
| Housing Material: | 6/6 Nylon, Color: Black | | |
| Storage Temperature: | -40° to +85° C | | |
| Operating Temperature: | -40° to +85° C | | |
| Panel Mounting: | Recommended hole size is 1.25"(31.75mm). Thread front will fit standard 30mm(1.181") hole. | | |
| Knurled Nut: | Used to attach part to panel. The max recommended torque is 10 in-lbs. | | |
| Weight (Typical): | 1.6 oz (45g) | | |
| NEMA 3R,4X, & 12: | Approved with use of ACC03. | | |
| cUL Recognition: | cUL Recognized | | |
| Options: | Please contact factory. | | |

Dimensions:

Inches (mm)

cUL Recognized

ROHS Compliant



NOTE A: TERMINALS--032 BRASS TIN PLATED, TAPPED FOR #6-32 SCREW. TWO #6-32 NICKEL PLATED BRASS SCREWS INCLUDED. WILL ACCEPT 1/4" QUICK CONNECT.

NOTE B: MOUNTING-- REMOVE BLACK PLASTIC NUT AND INSERT THREADED FRONT THROUGH 1.25" HOLE PUNCHED IN PANEL, IF ORIENTATION IS NEEDED, NOTE LOCKING FLATS ON DRAWING. SCREW NUT BACK ON. DO NOT OVERTIGHTEN.