

THIS DRAWING IS UNPUBLISHED.

RELEASED FOR PUBLICATION

2003

© COPYRIGHT 2003-2013

ALL RIGHTS RESERVED.

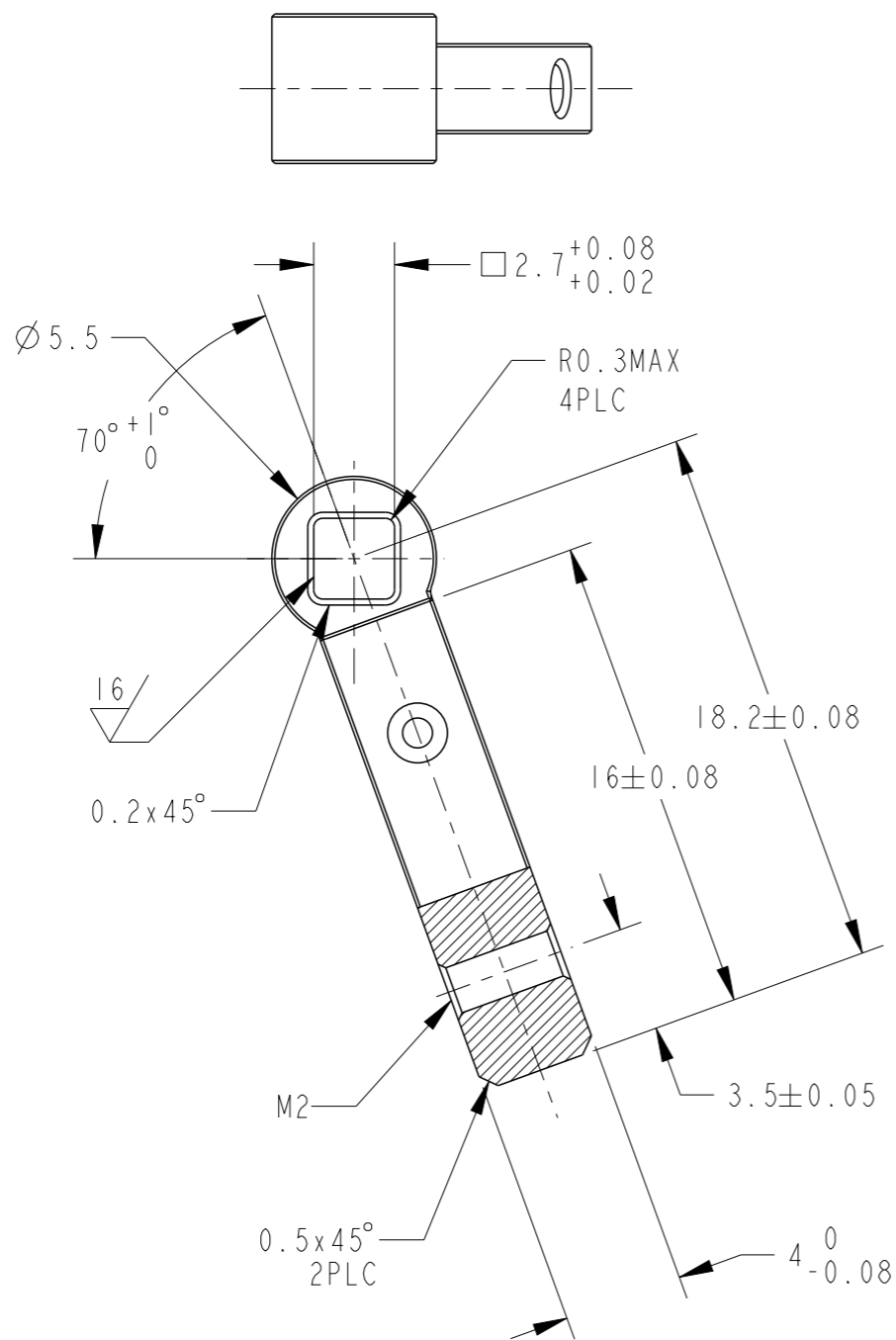
LOC
J

DIST
-


REVISIONS

P	LTR	DESCRIPTION	DATE	DWN	APVD
	B2	REVISED	16MAY2013	T. K	M. K

-1:AS SHOWN
本図



RoHS COMPLIANT

THIS DRAWING IS A CONTROLLED DOCUMENT.		DWN M. Kimura 14DEC2002	 TE Connectivity																
DIMENSIONS: mm		CHK Y. KASHIWA 16DEC2002																	
TOLERANCES UNLESS OTHERWISE SPECIFIED:		APVD Y. KASHIWA 16DEC2002	NAME LEVER TC-ZIF CONNECTOR																
<table border="1"> <tr><td>0 PLC</td><td>± 0.25</td></tr> <tr><td>1 PLC</td><td>± 0.2</td></tr> <tr><td>2 PLC</td><td>± 0.15</td></tr> <tr><td>3 PLC</td><td>\pm</td></tr> <tr><td>4 PLC</td><td>\pm</td></tr> <tr><td>ANGLES</td><td>± 3</td></tr> <tr><td>FINISH</td><td>NONE</td></tr> </table>		0 PLC	± 0.25	1 PLC	± 0.2	2 PLC	± 0.15	3 PLC	\pm	4 PLC	\pm	ANGLES	± 3	FINISH	NONE	PRODUCT SPEC 108-5771	SIZE A3		
0 PLC	± 0.25																		
1 PLC	± 0.2																		
2 PLC	± 0.15																		
3 PLC	\pm																		
4 PLC	\pm																		
ANGLES	± 3																		
FINISH	NONE																		
MATERIAL SUS304L OR SUS316		APPLICATION SPEC -	DRAWING NO C-1674569		RESTRICTED TO														
		WEIGHT 1.9g	SCALE 4:1																
		CUSTOMER DRAWING	SHEET 1 OF 1		REV B2														