

4

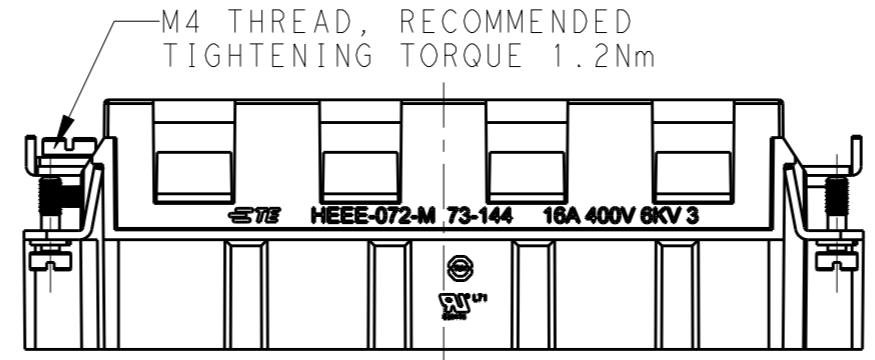
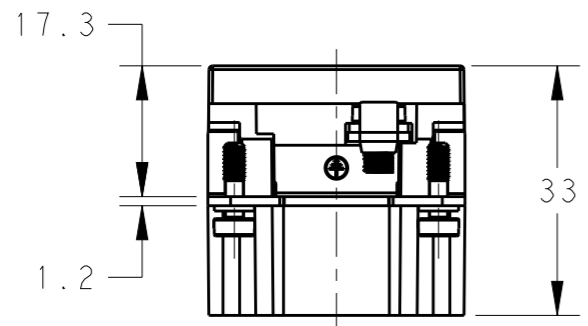
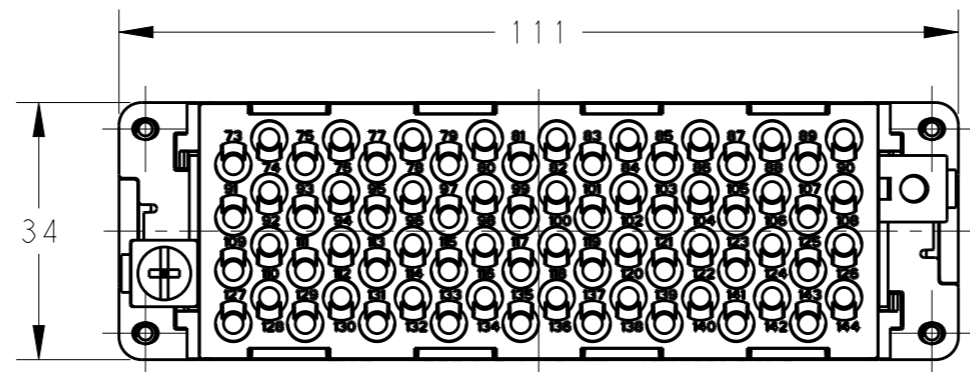
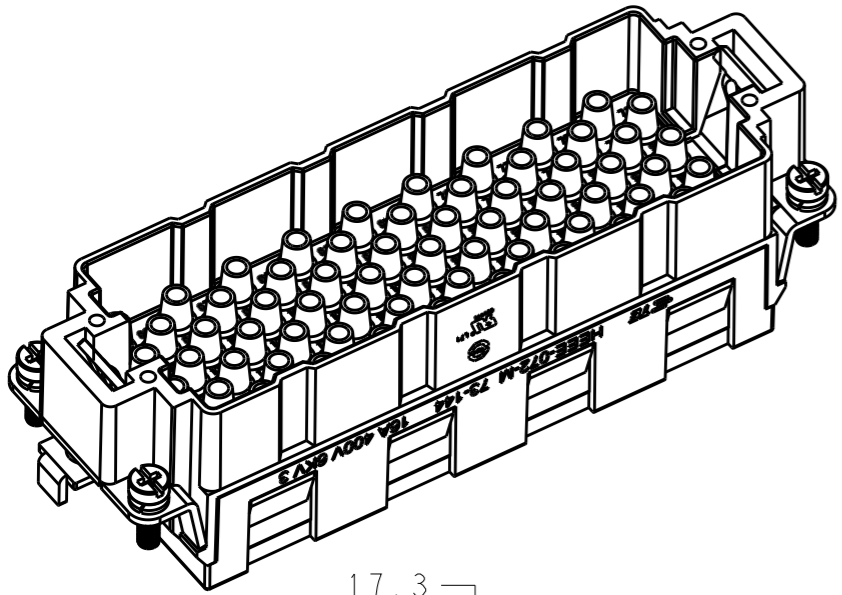
3

2

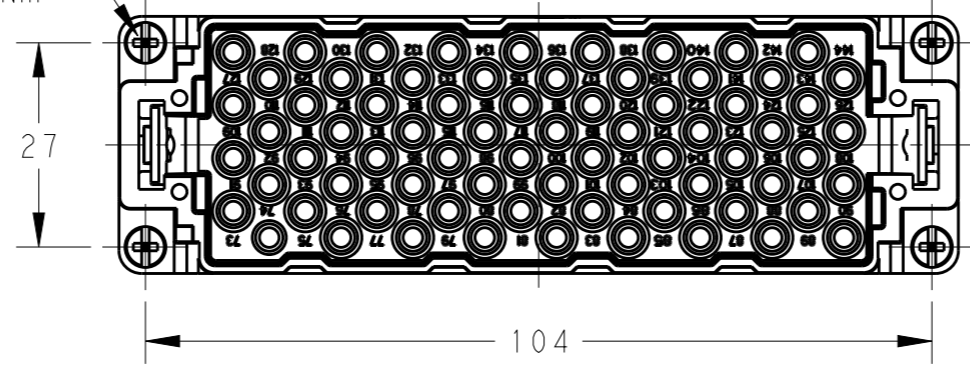
1

THIS DRAWING IS UNPUBLISHED. RELEASED FOR PUBLICATION 20
© COPYRIGHT 20 BY - ALL RIGHTS RESERVED.

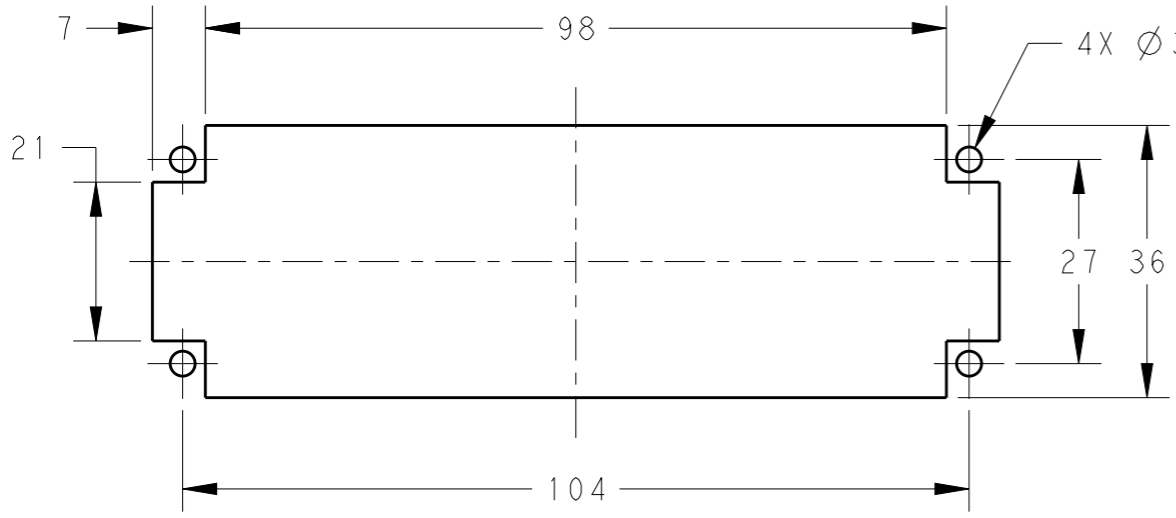
REVISIONS					
P	LTR	DESCRIPTION	DATE	DWN	APVD
	A	INITIAL	27OCT2015	DW	CW



4X M3 THREAD, RECOMMENDED TIGHTENING TORQUE 0.5Nm



PANEL CUT FOR INSERTS FOR USE WITHOUT HOODS/ HOUSINGS



NOTES:

- TECHNICAL CHARACTERISTICS:
 INSULATION MATERIAL: PC
 RATED VOLTAGE: 400V
 RATED CURRENT: 16A
 INSULATION RESISTANCE: $\geq 400M\Omega$
 RATED IMPULSE VOLTAGE: 6KV
 POLLUTION DEGREE: 3
 FLAMMABILITY: UL94V-0
 MATING CYCLES: 500 CYCLES
 OPERATION TEMPERATURE: $-40^{\circ}C \sim +125^{\circ}C$
 WIRE RANGE: $0.14mm^2 \sim 4mm^2$ (AWG26-AWG12)
 CONTACT TYPE: CRIMP CONTACT
 CONTACTS NEED TO BE ORDERED SEPARATELY.
 (ORDER No. REFER TO DRAWING: T20300X10XX000)

注释:

- 技术参数:
 绝缘材料: PC
 额定电压: 400V
 额定电流: 16A
 绝缘电阻: $\geq 400M\Omega$
 脉冲电压: 6KV
 污染等级: 3
 阻燃等级: UL94V-0
 插拔次数: 500次
 工作温度: $-40^{\circ}C \sim +125^{\circ}C$
 接线范围: $0.14mm^2 \sim 4mm^2$ (AWG26-AWG12)
 接线类型: 冷压接
- 端子需要单独订购。
 (订货号参考图面: T20300X10XX000)

HEEE-072-M 73-144	T2051442101-000
DESCRIPTION	PART NUMBER



NAME HEEE-072-M 73-144			
SIZE	CAGE CODE	DRAWING NO	RESTRICTED TO
A3	00779	T2051442101000	-
SCALE 1:1		SHEET 1 OF 1	REV A

THIS DRAWING IS A CONTROLLED DOCUMENT.		DWN 27OCT2015 David Wang
DIMENSIONS: mm		CHK 27OCT2015 Chris Wang
TOLERANCES UNLESS OTHERWISE SPECIFIED:		APVD 27OCT2015 Xiang Xu
0 PLC	±-	PRODUCT SPEC 108-137068
1 PLC	±-	APPLICATION SPEC 114-137068
2 PLC	±-	WEIGHT -
3 PLC	±-	Customer Drawing
4 PLC	±-	
ANGLES	±-	
MATERIAL	FINISH	
-	-	