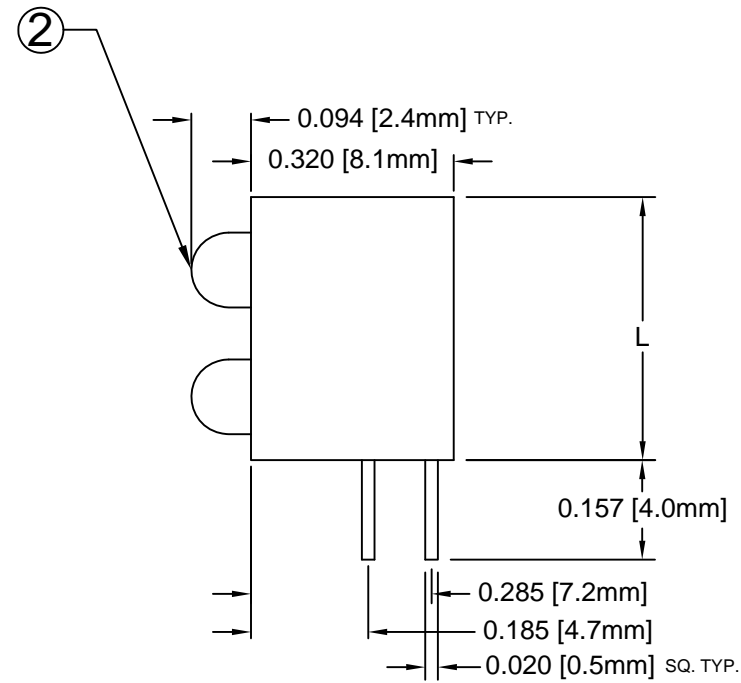
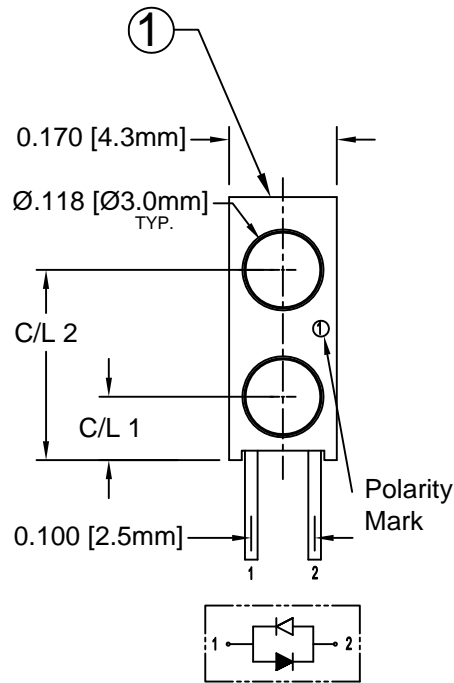


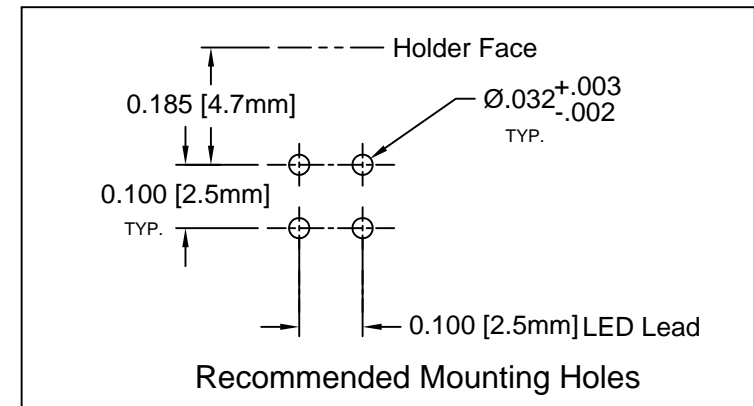
ITEM	Q'TY	PART NUMBER	PART DESCRIPTION
1	1	H-301C-1-XXX	T-1 (3mm) Bi-Level LED Holder, 90° Mount, Var. C/L
2	2	3BC-X	T-1 (3mm) N-Flange Shouldered LED, See Page 2

REV.	DESCRIPTION	DATE	APPROVED
A	Engineering Release	05/25/11	T. Y.
B	Engineering Update w/o Changes	06/24/16	J. C.



LED P/N	(1) CATHODE	(2) CATHODE
3BC	GREEN	RED
3BC-A/G	GREEN	AMBER
3BC-R/Y	YELLOW	RED
3BC-Y/G	GREEN	YELLOW

Available Centerlines			
XXX	C/L 1	C/L 2	L
100	.100 (2.5)	.300 (7.6)	.415 (10.6)
120	.120 (3.0)	.320 (8.1)	.435 (11.0)
140	.140 (3.6)	.340 (8.6)	.455 (11.6)
160	.160 (4.1)	.360 (9.1)	.475 (12.1)
180	.180 (4.6)	.380 (9.7)	.495 (12.6)



ABSOLUTE MAXIMUM RATINGS (Ta=25° C)

OPERATING TEMPERATURE RANGE _____ -25° C - 85° C

STORAGE TEMPERATURE _____ -30° C - 100° C

LEAD SOLDERING TEMPERATURE(1/16" FROM BODY) _____ 260° C FOR 5 SECONDS

STANDARD TOLERANCE (UNLESS OTHERWISE SPECIFIED)	
DECIMALS	ANGULAR
.X ± .1	X° ± 1°
.XX ± .02	
.XXX ± .010	

BIVAR®

4 THOMAS, IRVINE, CA. 92618
TEL: (949) 951-8808 FAX: (949) 951-3974

TITLE: T-1 (3MM) 90° BI-LEVEL
VAR. C/L LED ASSY

DESIGNED: M. Myers	DATE: 05/25/11
CHECKED: R. Paje	DATE: 05/25/11

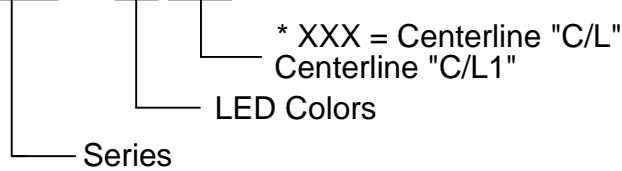
PART NO: H301CBC-XX-XXX	REVISION: B
CAGE CODE : 32559	SHEET # 1 OF 2
CAD GENERATED DOCUMENT. DO NOT MEASURE DRAWING.	


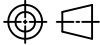
REV.	DESCRIPTION	DATE	APPROVED
	SEE SHEET #1		

LED Assy. No.	Peak Wave Length λ_p (nm)	Emitted Color	Lens Appearance	Electro-Optical Data @ 20mA				Viewing Angle $2\theta_{1/2}$ (Deg)	LED P/N
				If (mA)	Vf (V)		Iv (mcd)		
				TYP	TYP	MAX	TYP		
H301CBC-XXX	625	RED	WHITE DIFFUSED	20	2.0	2.8	6	45	3BC
	568	GREEN		20	2.1	2.8	6	45	
H301CBC-A/G-XXX	605	AMBER	WHITE DIFFUSED	20	2.0	2.8	6	45	3BC-A/G
	568	GREEN		20	2.1	2.8	6	45	
H301CBC-R/Y-XXX	625	RED	WHITE DIFFUSED	20	2.0	2.8	6	45	3BC-R/Y
	590	YELLOW		20	2.0	2.8	4	45	
H301CBC-Y/G-XXX	590	YELLOW	WHITE DIFFUSED	20	2.0	2.8	4	45	3BC-Y/G
	568	GREEN		20	2.1	2.8	6	45	

PART NUMBER DESIGNATION

H301CBC-XX-XXX*



STANDARD TOLERANCE (UNLESS OTHERWISE SPECIFIED) $\pm 10\%$ ALL VALUES ANGULAR		 4 THOMAS, IRVINE, CA. 92618 TEL: (949) 951-8808 FAX: (949) 951-3974	
			
DESIGNED: M. Myers	DATE: 05/25/11	TITLE: T-1 (3MM) 90° BI-LEVEL VAR. C/L LED ASSY	
CHECKED: R. Paje	DATE: 05/25/11	PART NO: H301CBC-XX-XXX	REVISION: B
		CAGE CODE : 32559	SHEET # 2 OF 2
CAD GENERATED DOCUMENT. DO NOT MEASURE DRAWING.			