

Würth Elektronik eiSos GmbH & Co. KG

EMC & Inductive Solutions

Max-Eyth-Straße 1 · 74638 Waldenburg · Germany

Tel. +49 (0) 79 42 945-0 · Fax +49 (0) 79 42 945-400

eiSos@we-online.de · www.we-online.de



## Product/Process Change Notice (PCN)

- Major change  
 Minor change

PCN #: PCN\_AsSMSI\_20180312

- Product Mark  
 Date Code  
 Packaging  
 Others

Product Affected:

WA-SMSI 9774090360R / 9774100360R

WA-SMST 9774090960R / 9774100960R

PCN Date: December 12<sup>th</sup>, 2017

Effective Date: March 12<sup>th</sup>, 2018

Contact: Product Management

Attachment:  Yes  No

Phone: +49 (0) 7942 - 945 5001

Samples:

Fax: +49 (0) 7942 - 945 5179

E-mail: pcn.eican@we-online.de

### DESCRIPTION AND PURPOSE OF CHANGE:

In order to improve the transportation and handling safety, Würth Elektronik will modify the dimensions of the cavity of the carrier tape. This will lead to a change of the packaging unit.

All products with date code 2018-03-12 or later, will be affected by this packaging change.

Würth Elektronik eiSos GmbH &amp; Co. KG

EMC &amp; Inductive Solutions

Max-Eyth-Straße 1 · 74638 Waldenburg · Germany

Tel. +49 (0) 79 42 945-0 · Fax +49 (0) 79 42 945-400

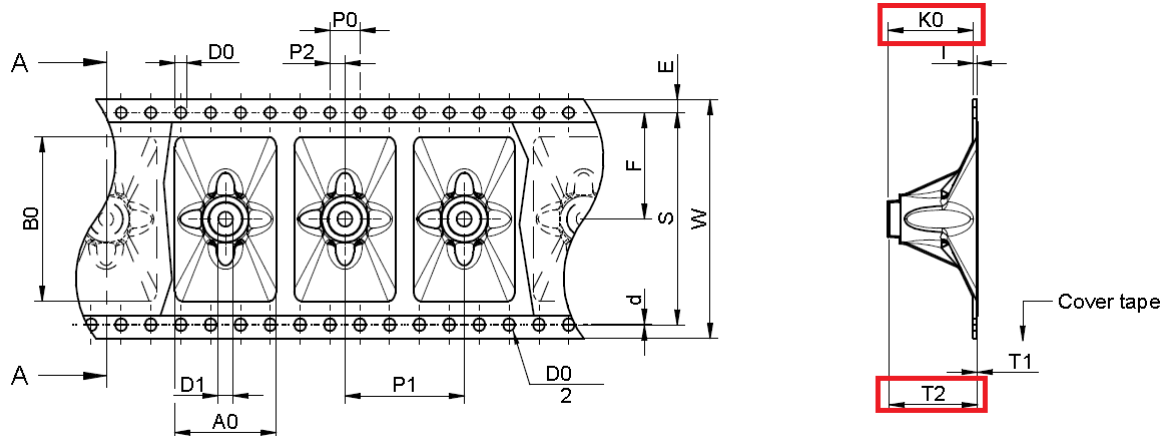
eiSos@we-online.de · www.we-online.de

**DETAIL OF CHANGE:**

Due to reducing the height of the cavity, where the parts are located into the carrier tape, the dimension K0 and T2 will be changed.

9774090x60	Dimension	Before Change	After Change
	K0	14,20	10,70
	T2	14,50	11,00

9774100x60	Dimension	Before Change	After Change
	K0	14,20	11,70
	T2	14,50	12,00



The packaging unit will be affected of the change. The packaging unit of 9774090x60 will be increase from 300 to 400 pieces per reel. The packaging unit of 9774100x60 will be increase from 300 to 350 pieces per reel.

Partnumber	Before Change	After Change
9774090x60	300	400
9774100x60	300	350

**RELIABILITY / QUALIFICATION SUMMARY:**

Product approval is according to the specification and is internally released by the Product Management Department.

**DATA SHEET CHANGE:** Yes No