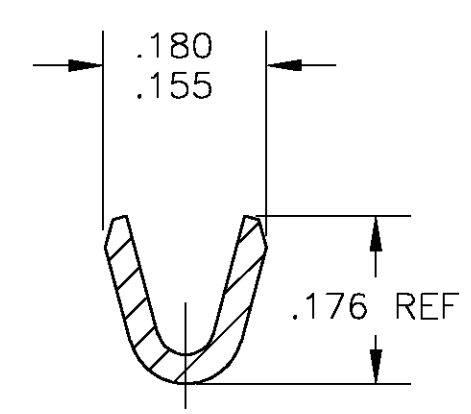
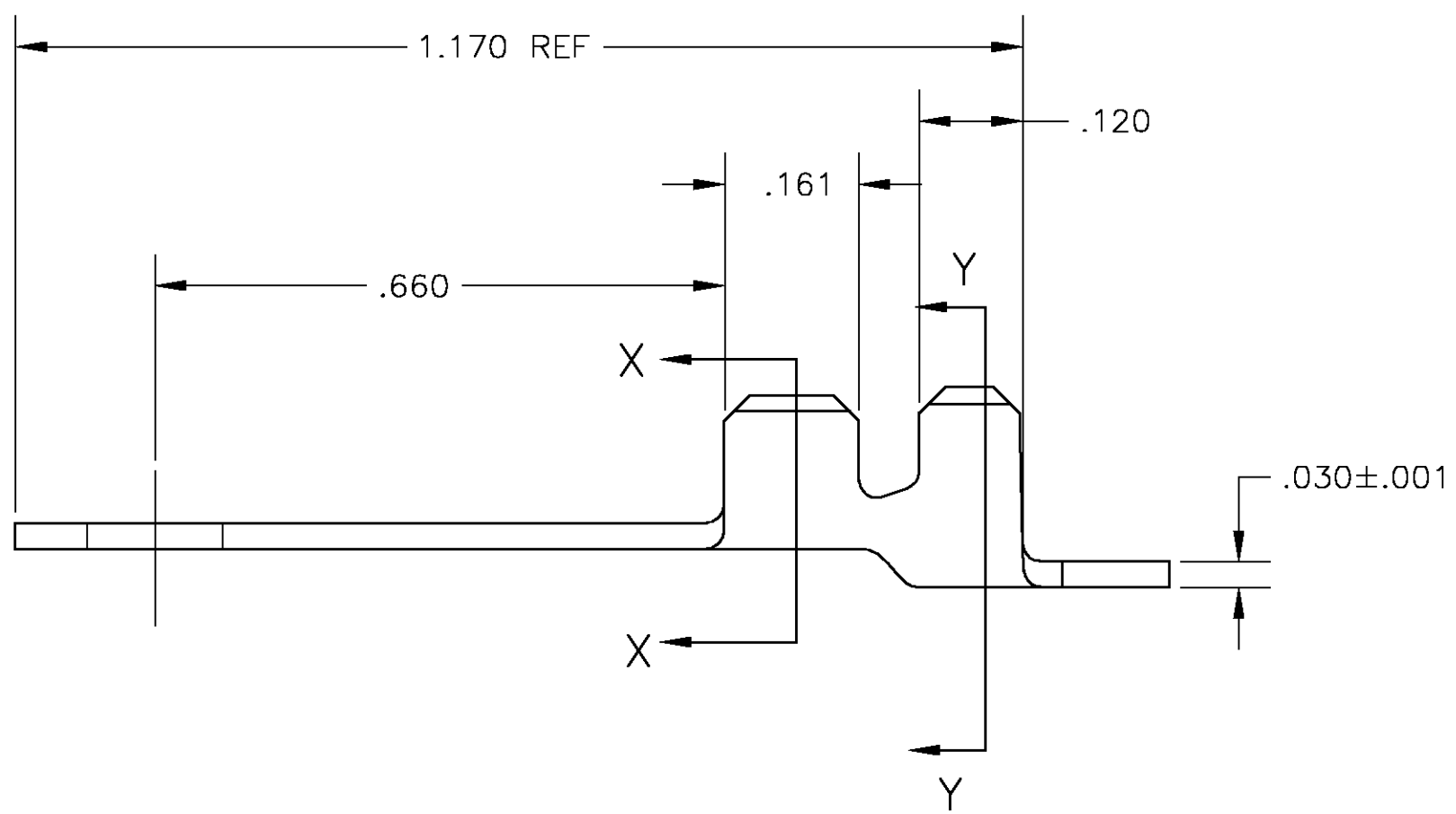
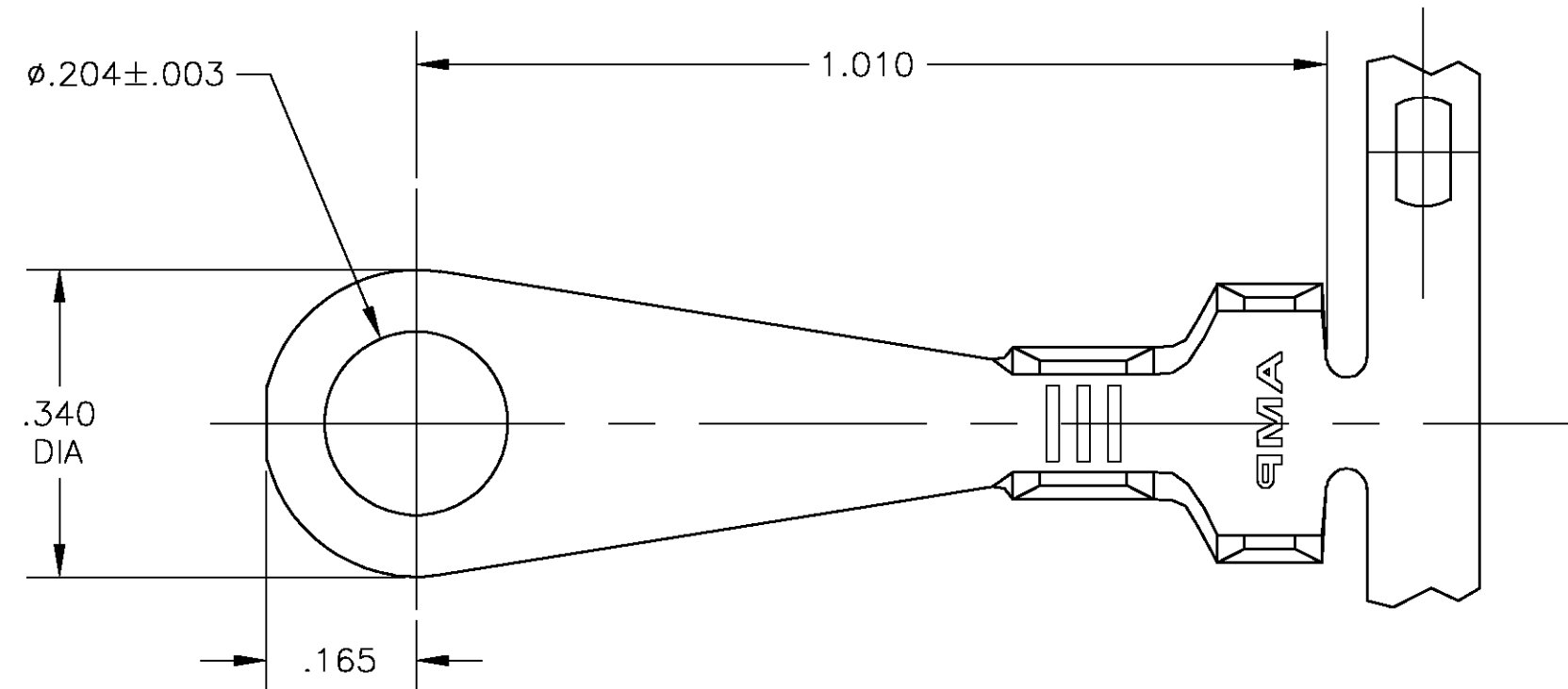


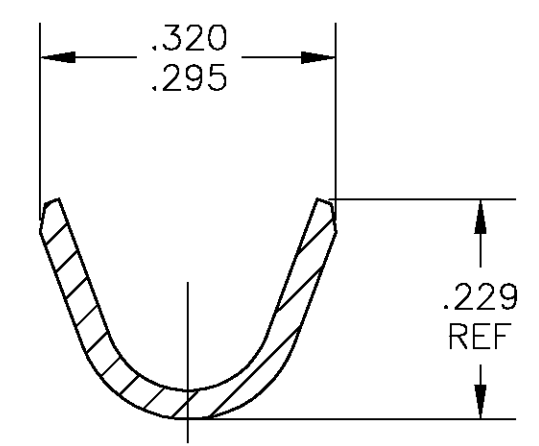
THIS DRAWING IS UNPUBLISHED. RELEASED FOR PUBLICATION  
 © COPYRIGHT BY TYCO ELECTRONICS CORPORATION. ALL RIGHTS RESERVED.

LOC	DIST	REVISIONS			
P	LTR	DESCRIPTION	DATE	DWN	APVD
AF	50	B	REV PER 0G3A-0187-04	11MAR04	JR DD

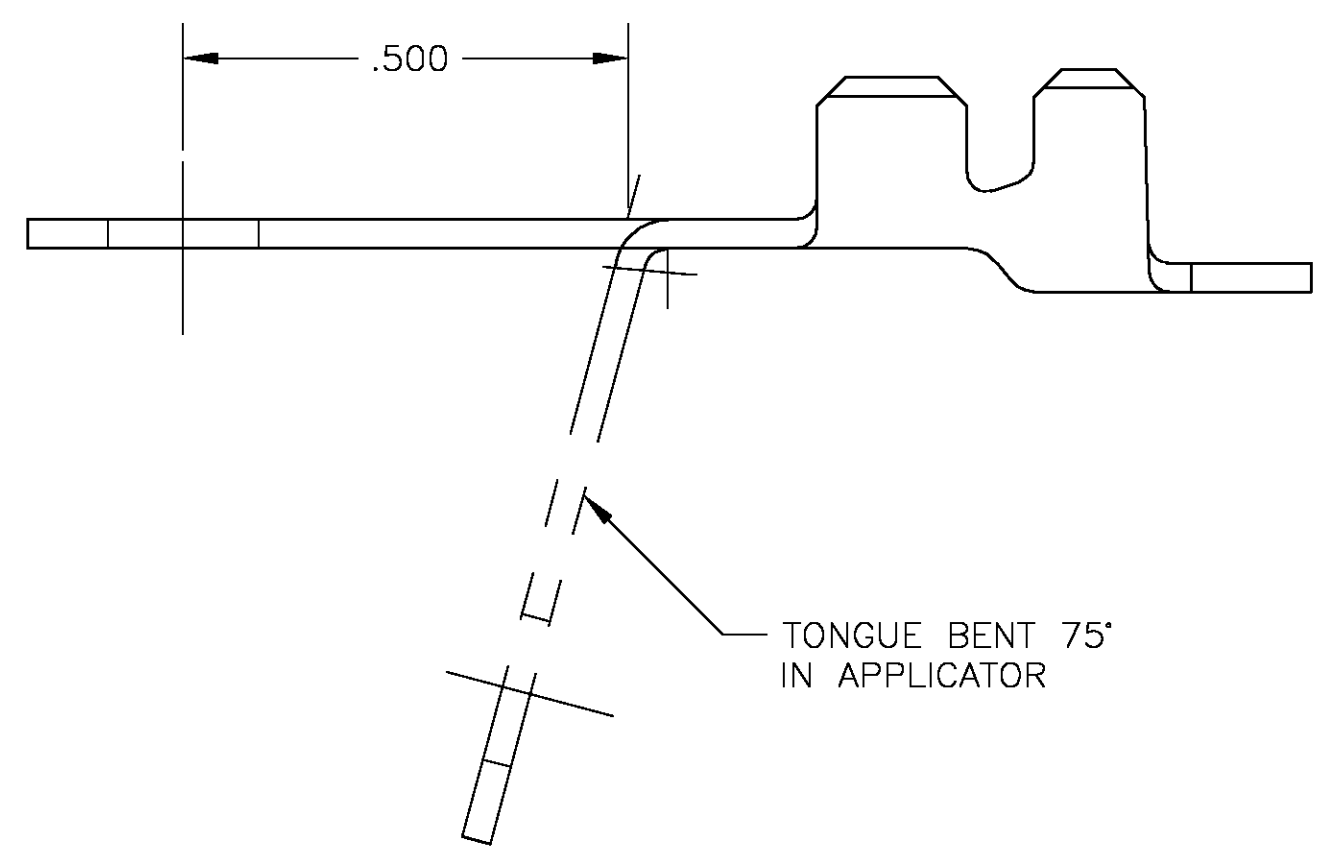
- 1 CONTINUOUS STRIP ON REELS
- 2 WIRE SIZE IS #18-#14 AWG
- 3 INSULATION RANGE IS .100-180 DIA
- 4 SUFFIX LETTER MUST BE USED ONLY WHEN ORDERING APPLICATOR TOOLING.



SECTION X-X



SECTION Y-Y



TERMINAL BENT <sup>4</sup>	62700-1Q
TERMINAL STRAIGHT	62700-1
PART NO	PART NO

THIS DRAWING IS A CONTROLLED DOCUMENT.		DWN	jr ruth	11MAR04
DIMENSIONS: INCHES		CHK	D DECKER	11MAR04
TOLERANCES UNLESS OTHERWISE SPECIFIED:		APVD	D DECKER	11MAR04
0 PLC	± -	PRODUCT SPEC	-	
1 PLC	± -	APPLICATION SPEC	-	
2 PLC	± -	WEIGHT	-	
3 PLC	± .010	CUSTOMER DRAWING	-	
4 PLC	± -	SCALE	5:1	SHEET 1 OF 1
ANGLES	± 5°	REV	B	
FINISH	-	MATERIAL: 081 BRASS		

Tyco Electronics Corporation		Harrisburg, Pa 17105-3608	
NAME	RING		
SIZE	A2	CAGE CODE	00779
DRAWING NO	C=62700		
RESTRICTED TO	-		