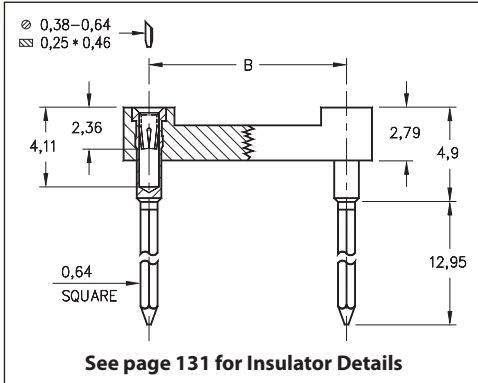
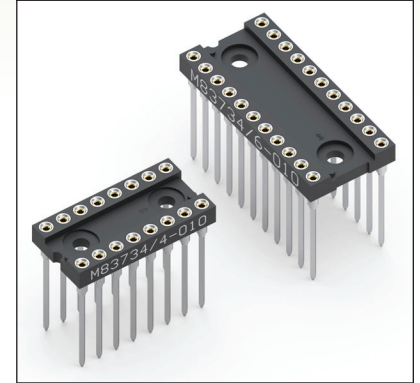


DUAL-IN-LINE SOCKETS

SERIES 223...101 • MIL-DTL-83734 APPROVED, 3 LEVEL WRAPOST • CLOSED FRAME



- Sockets are XY stackable
- Socket pins feature closed end construction eliminating any solder wicking problems
- Hi-Rel, 4-finger BeCu #30 contact is rated at 3 amps. See page 253 for details
- Series 223 uses MM #0038-3 or #0088-3 pins. See page 198 for details
- Insulators are high temperature thermoplastic, suitable for all soldering operations
- For Electrical, Mechanical and Environmental Data, see page 264 for details



Total number of pins				Quantity per tube	ORDERING INFORMATION			
	A	B	C		Mill-Max Part Number		Military Part Number	
6	7,6	7,62	10,1	67	223-XX-306-41-101000	M83734/1-YYY		
8	10,1	7,62	10,1	50	223-XX-308-41-101000	M83734/2-YYY		
14	17,7	7,62	10,1	28	223-XX-314-41-101000	M83734/3-YYY		
16	20,3	7,62	10,1	25	223-XX-316-41-101000	M83734/4-YYY		
18	22,8	7,62	10,1	22	223-XX-318-41-101000	M83734/5-YYY		
20	25,3	7,62	10,1	20	223-XX-320-41-101000	M83734/13-YYY		
22	27,8	10,16	12,7	18	223-XX-422-41-101000	M83734/6-YYY		
24	30,4	15,24	17,7	16	223-XX-624-41-101000	M83734/8-YYY		
28	35,5	15,24	17,7	14	223-XX-628-41-101000	M83734/7-YYY		
32	40,6	15,24	17,7	12	223-XX-632-41-101000	M83734/17-YYY		
36	45,7	15,24	17,7	11	223-XX-636-41-101000	M83734/9-YYY		
40	50,8	15,24	17,7	10	223-XX-640-41-101000	M83734/10-YYY		
64	81,2	22,86	25,3	6	223-XX-964-41-101000	M83734/15-YYY		
<div style="border: 1px solid black; border-radius: 50%; padding: 5px; display: inline-block;"> XX=Plating Code See Below </div>					SEE PAGE 103 FOR COMPLETE MIL-DTL-83734 QPL			
SPECIFY MILL-MAX PLATING CODE XX =					33	83	88	
SPECIFY MILL-MAX PLATING CODE XX =					010	011	012	
(32 PIN ONLY) YYY =					007	008	009	
Sleeve (Pin)					0,76µm min. Au	7,62µm Sn/Pb	7,62µm Sn/Pb	
Contact (Clip)					0,76µm min. Au	0,76µm min. Au	2,54µm Sn/Pb	

