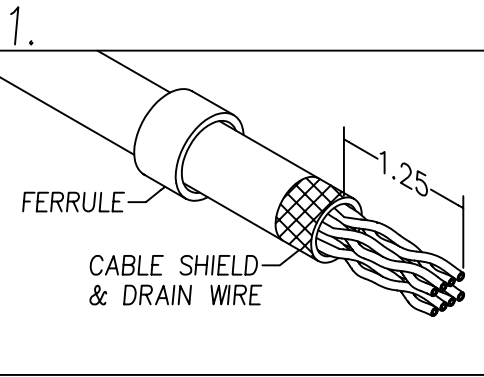


Bel Stewart Connector

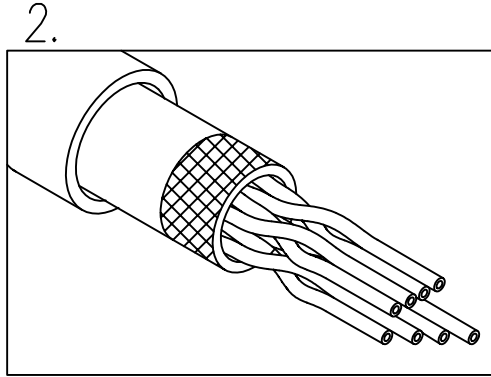
11118 Susquehanna Trail South
Glen Rock, PA 17327-9199
(717) 235-7512 Fax: (717) 235-7954

WWW.STEWARTCONNECTOR.COM

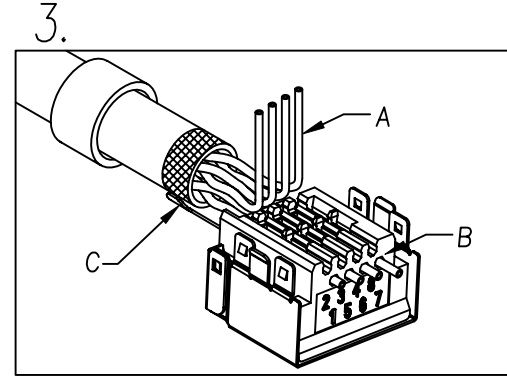
SHIELDED CABLEJACK TERMINATION INSTRUCTIONS



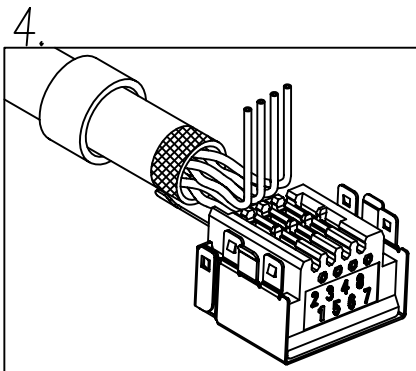
PLACE FERRULE OVER CABLE AND REMOVE 1.25" (31.8 mm) OF CABLE JACKET AND UNTWIST WIRE PAIRS. DRESS SHIELD AND DRAIN WIRE BACK OVER CABLE JACKET.



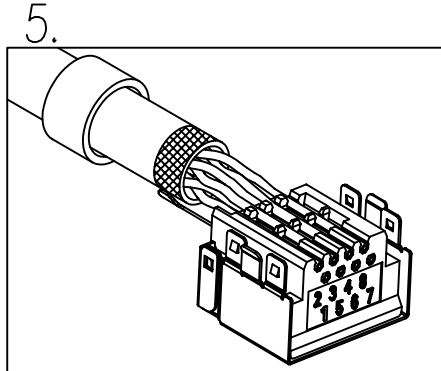
STRAIGHTEN CONDUCTORS AND ARRANGE ACCORDING TO APPROPRIATE WIRING DIAGRAM ON THE BACK OF THIS SHEET. TRIM OFF BOTTOM ROW OF CONDUCTORS AT A SLIGHT ANGLE TO FACILITATE EASIER LOADING.



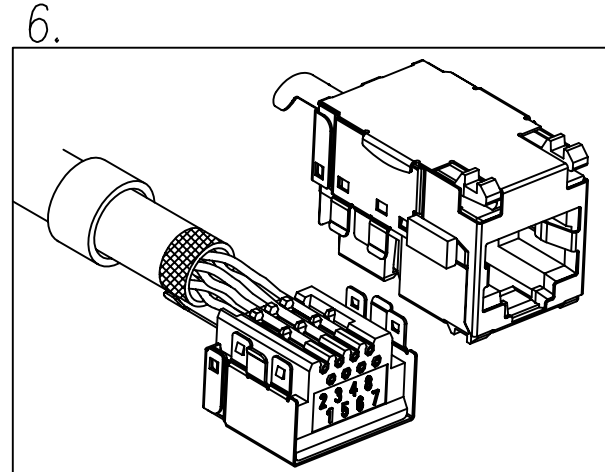
BEND TOP ROW OF CONDUCTORS BACK 90 DEGREES (A). LOAD BOTTOM ROW OF CONDUCTORS INTO LOADBAR (B). SHIELD TAB (C) SHOULD BE OVER CABLE SHIELD OF DRAIN WIRE.



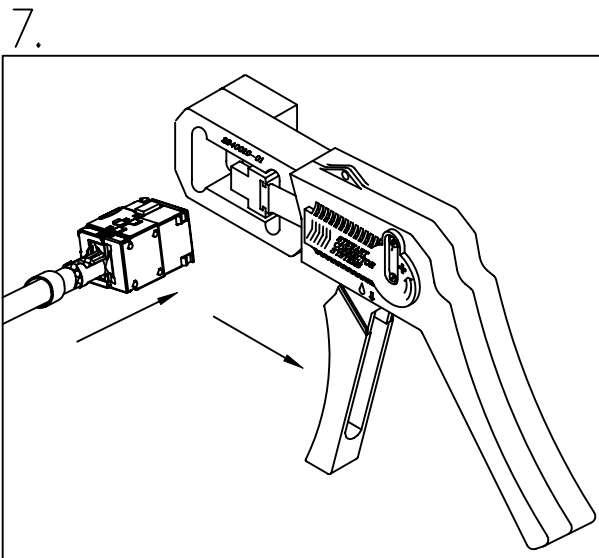
TRIM BOTTOM ROW OF CONDUCTORS FLUSH WITH LOADBAR.



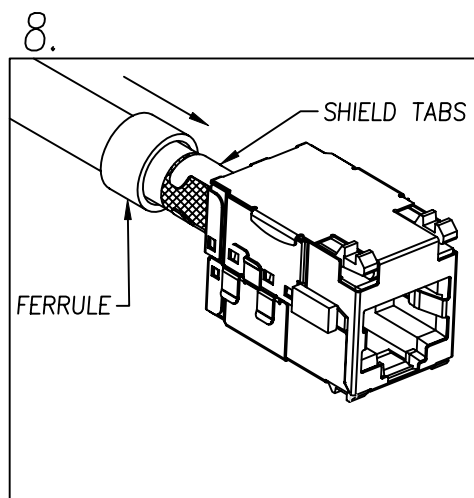
LACE TOP ROW OF CONDUCTORS INTO LOADBAR. TRIM TOP ROW OF CONDUCTORS FLUSH.



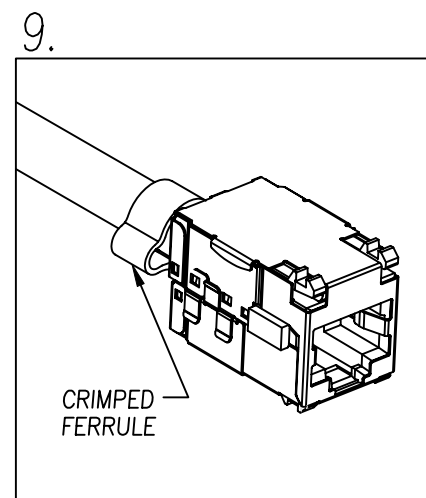
PLACE THE LOADBAR AND WIRES INTO THE HOUSING.



PLACE CABLEJACK INTO HAND TOOL AND TERMINATE.



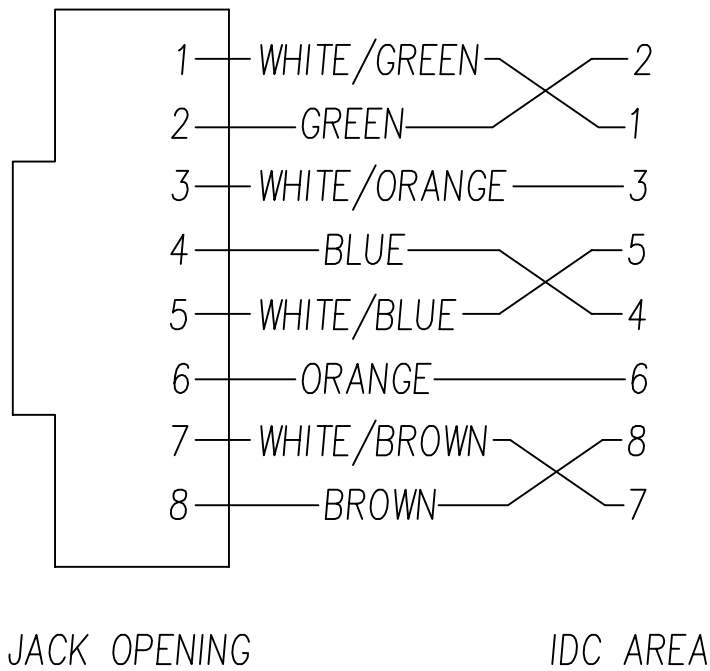
PUSH FERRULE OVER CONNECTOR SHIELD TABS.



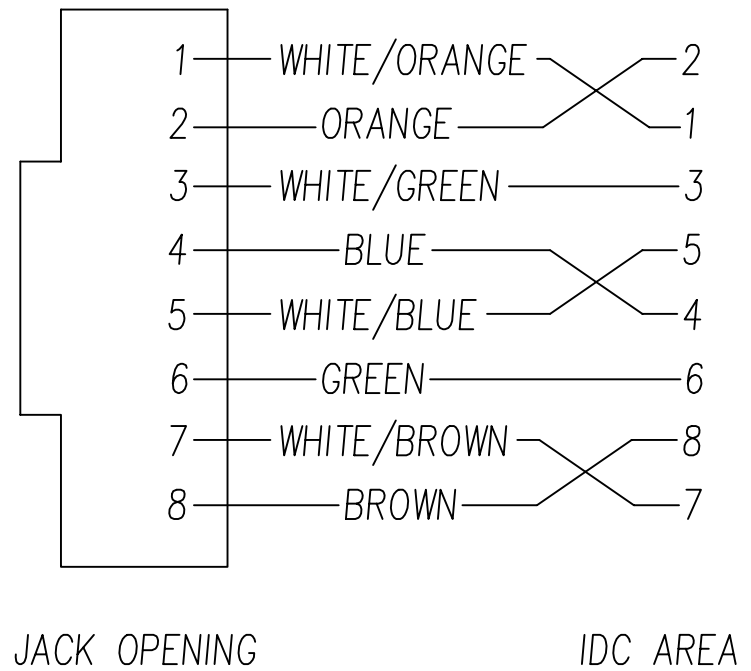
CRIMP FERRULE WITH HAND TOOL.

SHIELDED CABLE JACK WIRING SEQUENCES

EIA/TIA 568-A



EIA/TIA 568-B



NOTES:

- CABLE-READY JACKS CAN TERMINATE 24/26 AWG.
- FOR TECHNICAL AND PERFORMANCE DATA, CONSULT FACTORY.

AS WITH ALL WIRING INSTALLATION AND MODIFICATION, THE FOLLOWING STATEMENTS APPLY:

USE CAUTION AND COMMON SENSE WHEN INSTALLING, MODIFYING, OR REMOVING ANY COMMUNICATION WIRING AND SYSTEMS.

NEVER INSTALL COMMUNICATIONS WIRING IN WET LOCATIONS UNLESS ELECTRONIC COMPONENTS AND JACKS ARE SPECIFICALLY DESIGNED FOR WET ENVIRONMENTS.

ALWAYS DISCONNECT COMMUNICATION LINES FROM THE NETWORK INTERFACE BEFORE TOUCHING UNINSULATED COMMUNICATIONS WIRING OR TERMINALS.

DO NOT, UNDER ANY CIRCUMSTANCES, INSTALL COMMUNICATIONS WIRING DURING A LIGHTNING STORM.